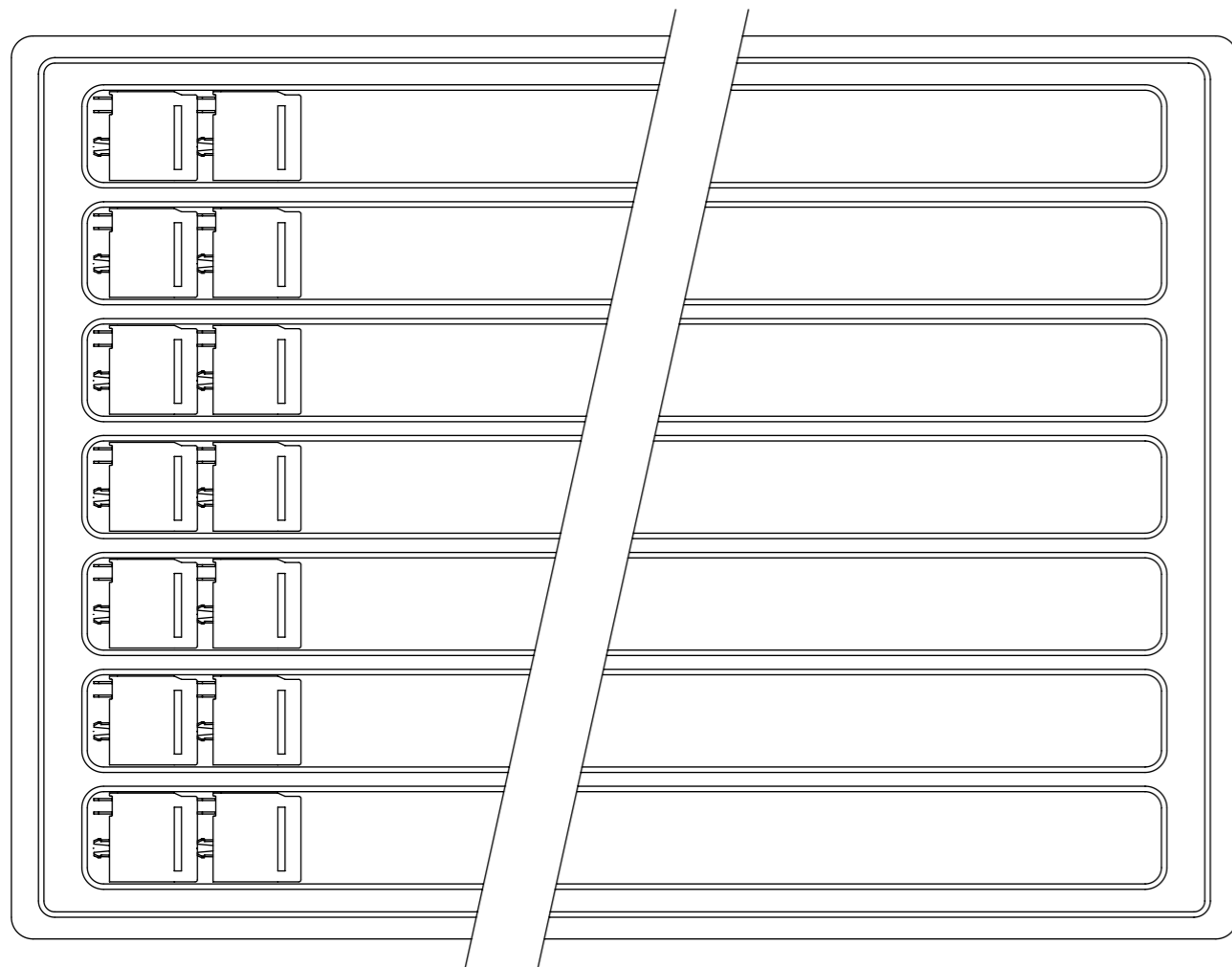
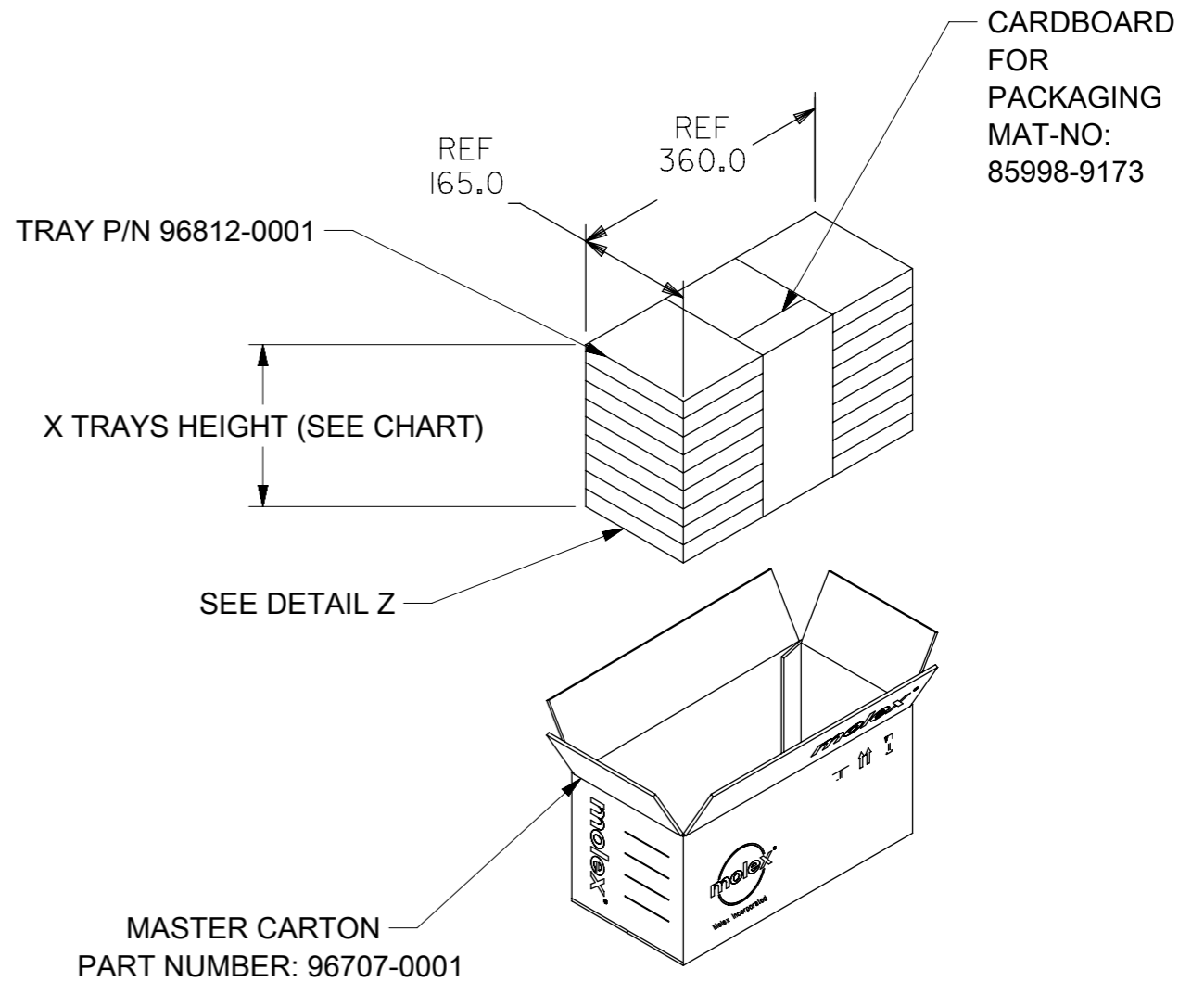


TRAY PACKAGING MATRIX				
CKT SIZE	PARTS PER ROW	PARTS PER TRAY	TRAYS PER CARTON	PARTS PER CARTON
WITH RIBS				
6	16	112	12	1344



DETAIL Z



NOTES :  
 STAPLES MAY BE USED TO SET UP CARTON ONLY.  
 CARTON CLOSURES MUST BE DONE WITH TAPE.

SYMBOLS		THIS DRAWING CONTAINS INFORMATION THAT IS PROPRIETARY TO MOLEX ELECTRONIC TECHNOLOGIES, LLC AND SHOULD NOT BE USED WITHOUT WRITTEN PERMISSION	
DIMENSION UNITS	SCALE	CURRENT REV DESC: CHANGED BOX P/N	
▽ = 0	mm	NTS	
▽ = 0	GENERAL TOLERANCES (UNLESS SPECIFIED)		
▽ = 0	ANGULAR TOL ± °		EC NO: 602328 DRWN: CRAODOREMS 2017/10/24 CHK'D: DBYRNES 2018/09/06 APPR: DBYRNES 2018/09/06
▽ = 0	4 PLACES	±	
▽ = 0	3 PLACES	±	INITIAL REVISION: DRWN: GECHTENA 2014/10/03 APPR: SFILIPON 2014/10/03
▽ = 0	2 PLACES	±	
▽ = 0	1 PLACE	±	DOCUMENT NUMBER: PK-95051-001 DOC TYPE: PDD DOC PART: 001 REVISION: B
▽ = 0	0 PLACES	±	
■ = 0	DRAFT WHERE APPLICABLE MUST REMAIN WITHIN DIMENSIONS		MATERIAL NUMBER: N/A CUSTOMER: GENERAL MARKET SHEET NUMBER: 1 OF 1
▽ = 0	THIRD ANGLE PROJECTION		
		DRAWING: A3-SIZE	SERIES: 95051