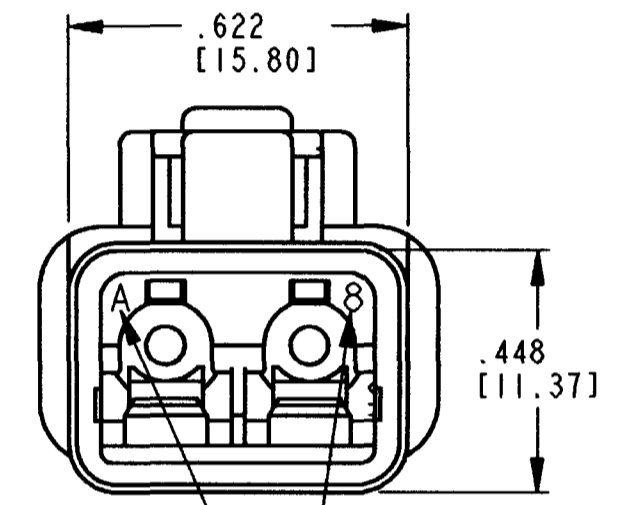
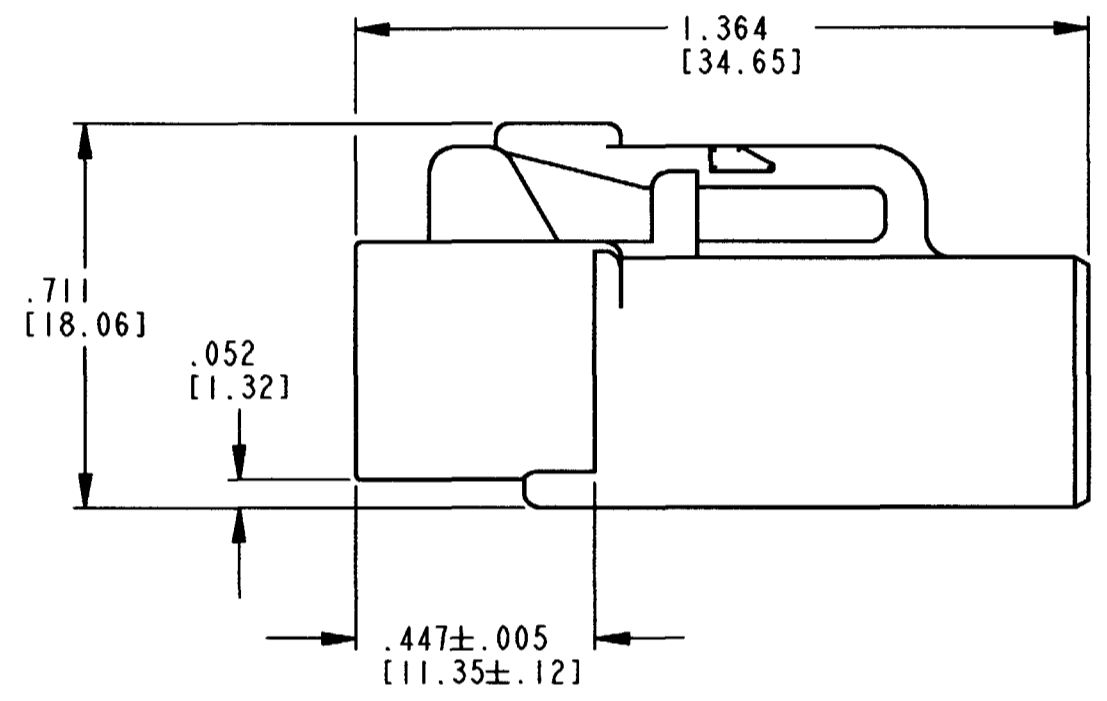
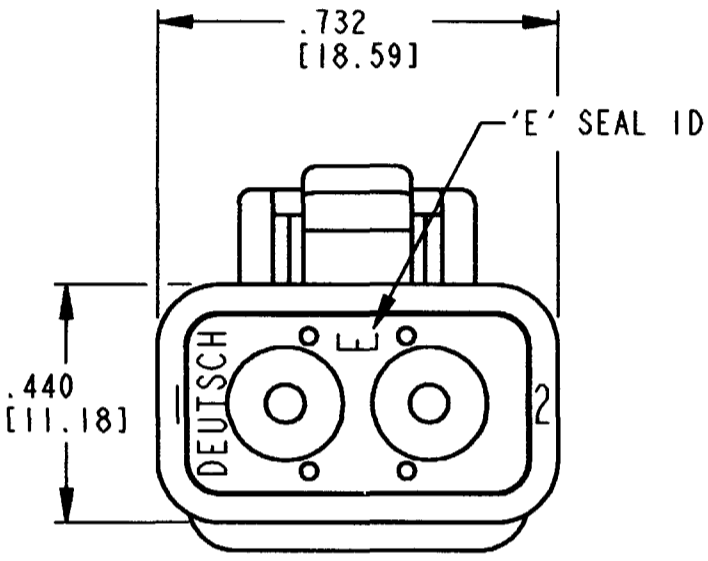


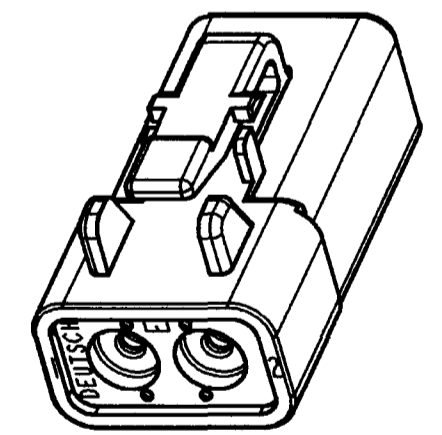
REV  
A  
DTP06-2S-C015

| REVISIONS |                             |         |          |
|-----------|-----------------------------|---------|----------|
| SYM       | DESCRIPTION                 | DATE    | APPROVED |
| NC        | NEW RELEASE PER E.O. P17140 | 2-15-01 | R.D.R.   |
| A         | REVISED PER E.O. P18823     | 2-11-05 | RDR      |



DATE CODE: MONTH IS REPRESENTED BY SEQUENTIAL ALPHA CHARACTERS. EX: A=JANUARY; YEAR IS REPRESENTED BY LAST NUMERICAL DIGIT. EX: 8=2008

- 6. MATERIAL: HOUSING: PLASTIC; GROMMET: RUBBER
  - 5. THIS PLUG MATES WITH DTP04-2P-\*\*\*\* RECEPTACLE. (\*\*\*\* = ALL MODIFICATIONS)
  - 4. FOR CONTACT AND WIRE PERFORMANCE AND APPLICATION CHARACTERISTICS SEE ENVELOPE DRAWING 0425-015-0000.
  - 3. SECONDARY WEDGE LOCK SOLD SEPARATELY, WP-2S.
  - 2. DIMENSION TOLERANCE: ±.025 [ .64].
  - 1. DIMENSIONS ARE IN INCHES [mm].
- NOTES: UNLESS OTHERWISE SPECIFIED



3D VIEW

| CONTACT SIZE | MIN. INSUL. O.D. | MAX INSUL. O.D. | WIRE RANGE [mm <sup>2</sup> ] REF ONLY |
|--------------|------------------|-----------------|--|
| 12           | .097 [2.46]      | .158 [4.01]     | 10-14 AWG [5.0-2.0]                    |

|                  |                         |   |   |           |
|------------------|-------------------------|---|---|-----------|
| SIGNATURE & DATE |                         | <b>PLUG</b><br>2 WAY, SIZE 12<br>COLOR: GREY; 'E' SEAL<br>-C015 MOD<br>DTP SERIES<br>ENVELOPE | CP EPI07  | MATL CODE |
| DR               | D. MEYER 02/13/01       |   | <b>The Deutsch Company</b><br>DEUTSCH I.P.D.<br>3850 INDUSTRIAL AVE.<br>HEMET, CALIF. 92545 |           |
| CHK              | X. Sanchez 2/4/05       | <b>B DTP06-2S-C015</b><br>DWG SIZE 11139 SHEET 1 OF 1   |   |           |
| PE               | Vladimir Tomza FEB-1-05 |   |   |           |
| APPD             | D Meyer 2/4/05          |   |   |           |
| SCALE            | NONE WT                 |   |   |           |