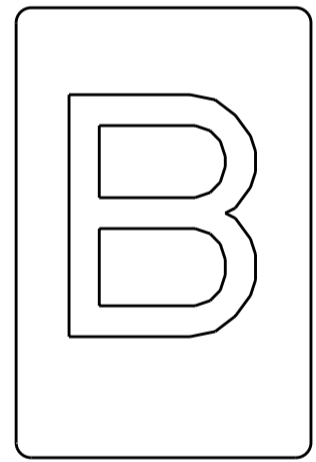
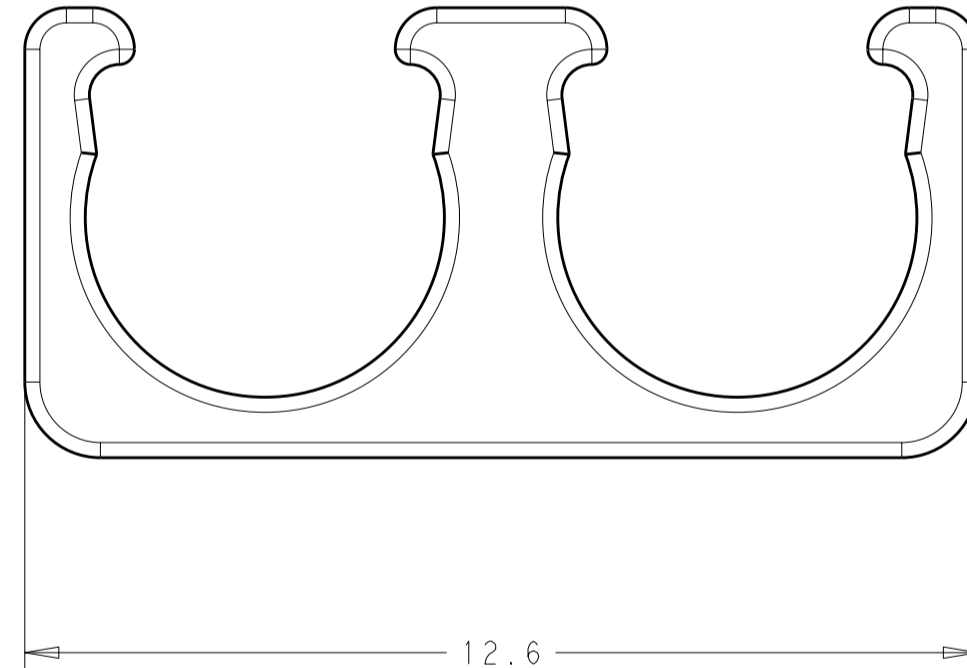
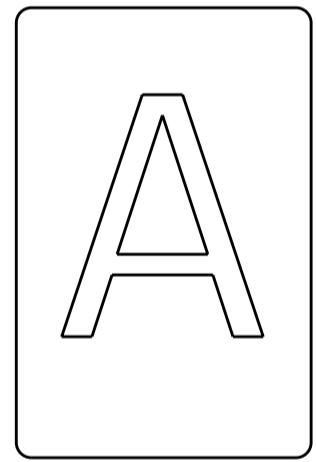
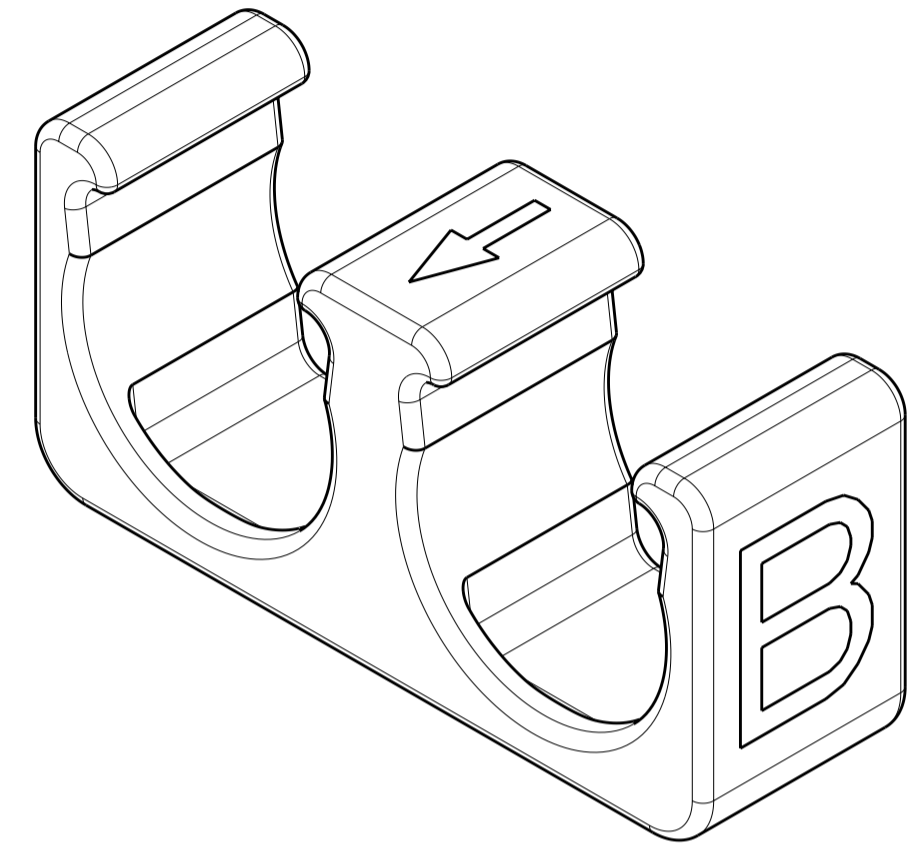
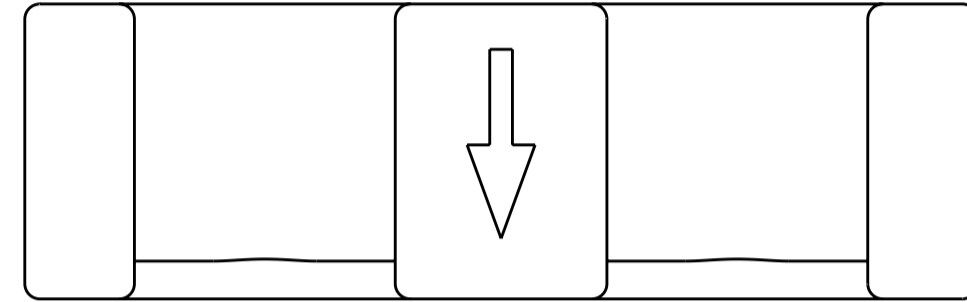


THIS DRAWING IS UNPUBLISHED. RELEASED FOR PUBLICATION 20
 © COPYRIGHT 20 BY TYCO ELECTRONICS CORPORATION. ALL RIGHTS RESERVED.

LOC	DIST	REVISIONS			
P	LTR	DESCRIPTION	DATE	DWN	APVD
CE	00	A	REL PER ECO-07-007418	28MAR2007	DHR DHR
		B	REVISE PER ECR-08-025775	24OCT2008	BB CB
		C	REVISE PER ECR 09-021005	09OCT2009	DF SB
		D	REVISE PER ECR 09-021005	12OCT2009	DLG CB



△4	BEIGE	1754371-5
△4	BLUE	1754371-4
△1 △4	BLACK	△3 1754371-3 △2 1754371-2 1754371-1
COLOR		PART NO

- △1 MATERIAL: PC BLEND, UL 94 V-0 RATED AT QUALIFYING THICKNESS, SEE TABLE FOR COLORS.
- △2 BULK PACKAGED 6 PC PER BAG.
- △3 BULK PACKAGED 72 PC PER BAG.
- △4 MATERIAL: PEI/PCE BLEND, UL 94 V-0 RATED AT QUALIFYING THICKNESS, SEE TABLE FOR COLORS.

<small>THIS DRAWING IS A CONTROLLED DOCUMENT FOR TYCO ELECTRONICS CORPORATION. IT IS SUBJECT TO CHANGE AND THE CONTROLLING ENGINEERING ORGANIZATION SHOULD BE CONTACTED FOR THE LATEST REVISION.</small>		DWN <u>D. ERDMAN</u> 24FEB2004 CHK <u>M. GURRERI</u> 24FEB2004 APVD <u>S. BUCHTER</u> 24FEB2004	Tyco Electronics Harrisburg, PA 17105-3608
DIMENSIONS: mm	TOLERANCES UNLESS OTHERWISE SPECIFIED: 0 PLC ± 1 PLC ±0.2 2 PLC ±0.2 3 PLC ± 4 PLC ± ANGLES ± FINISH	PRODUCT SPEC APPLICATION SPEC WEIGHT	NAME CLIP, DUPLEX, LightCrimp Plus LC
MATERIAL △1 △4 -	CUSTOMER DRAWING	SIZE A2	CAGE CODE 00779
		DRAWING NO 1754371	RESTRICTED TO -
		SCALE 10:1	SHEET 1 OF 1
			REV D