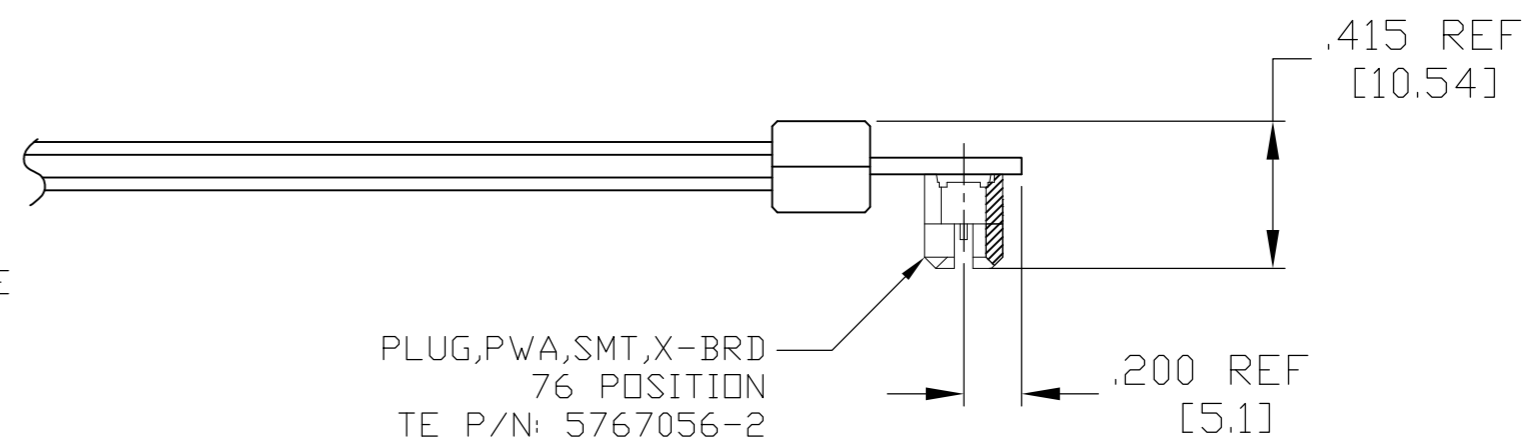
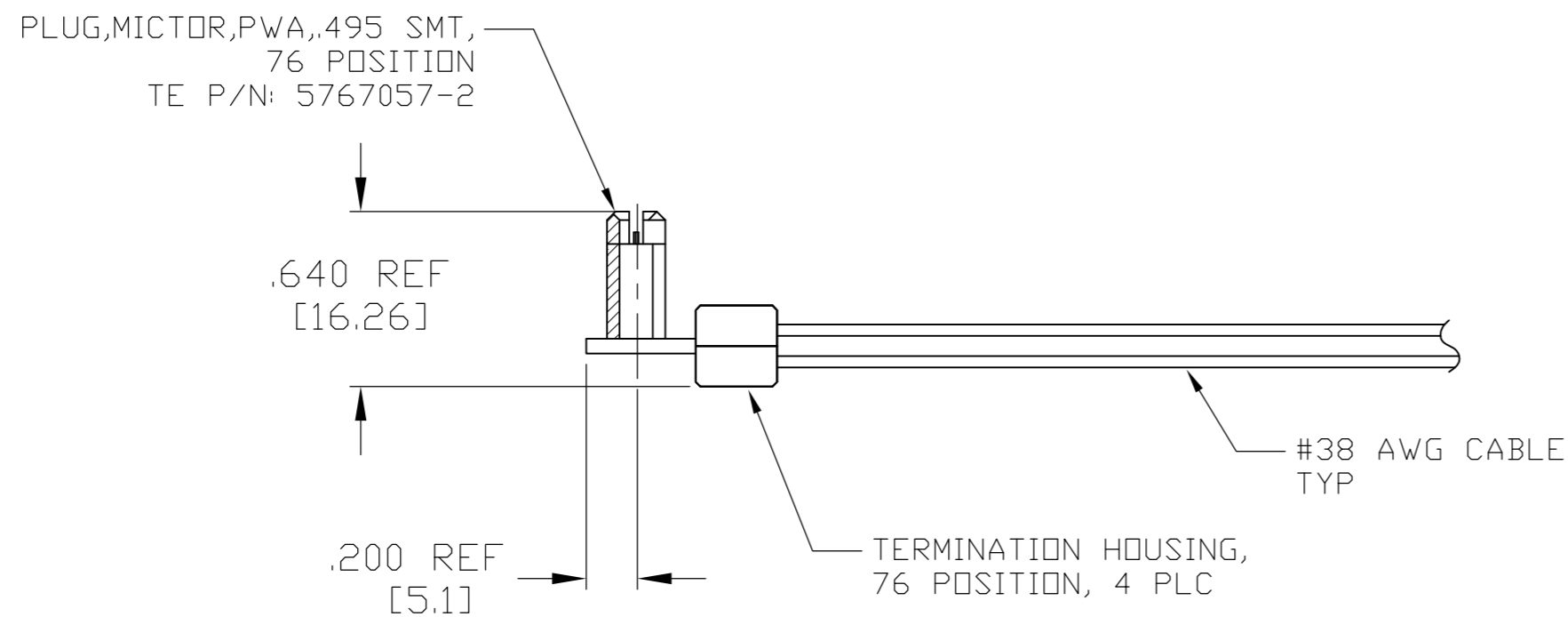
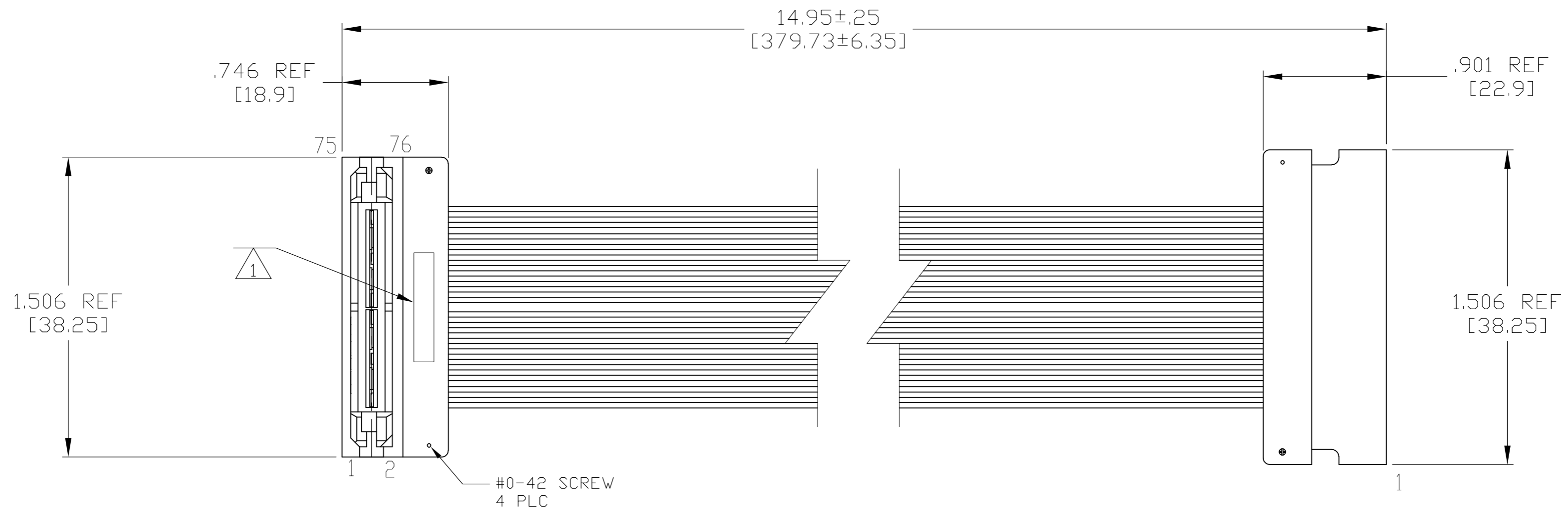


THIS DRAWING IS UNPUBLISHED. RELEASED FOR PUBLICATION
 © COPYRIGHT - By - ALL RIGHTS RESERVED.

LOC		DIST		REVISIONS			
P	LTR	DESCRIPTION		DATE	DWN	APVD	
G		REV PER ECO 12-007054		4-13-12	CT	DH	



1 TE PART NUMBER, PRECISION INTERCONNECT PART NO. AND DATE CODE (YY/WW) MARKED IN THIS AREA.

500-7147-00	2157357-1
PRECISION INTERCONNECT PART NUMBER	TE PART NO.

THIS DRAWING IS A CONTROLLED DOCUMENT.		DWN	C.C.THOMAS	1-26-11	TE Connectivity NAME CABLE ASSY, MICTOR SMT, 76 POSITION (CUSTOM)							
DIMENSIONS: INCHES		CHK	D.HOANG	1-26-11								
TOLERANCES UNLESS OTHERWISE SPECIFIED:		APVD	D.HOANG	1-26-11								
0 PLC ± - 1 PLC ± - 2 PLC ± - 3 PLC ± - 4 PLC ± - ANGLES ± -		PRODUCT SPEC										
MATERIAL		APPLICATION SPEC			SIZE	A2	CAGE CODE	00779	DRAWING NO	C=2157357	RESTRICTED TO	
FINISH		WEIGHT			SCALE	3:2	SHEET	1 of 1	REV	G		
		CUSTOMER DRAWING										