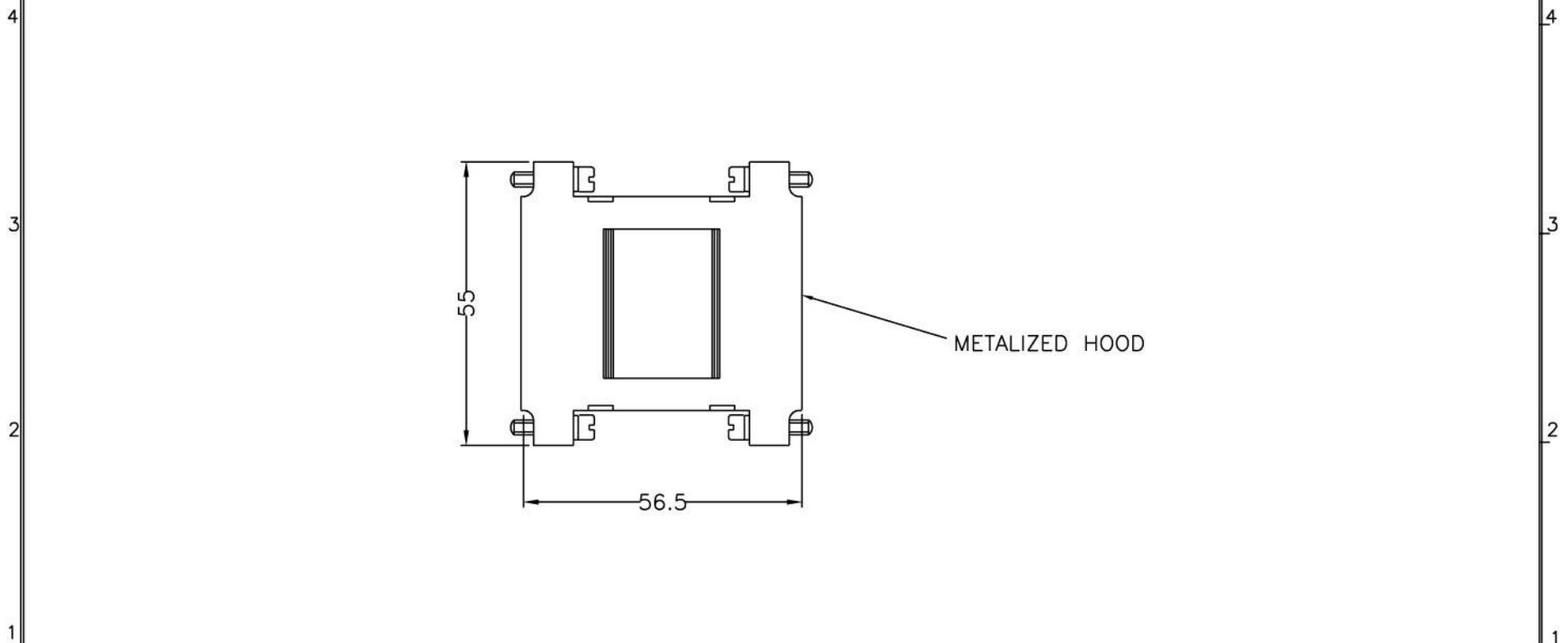


A B C D E F

DATE BY	REVISION



DATE	21 MAY,2003	PARTS NO	AB 939
UNIT	MM	DRAWN NO	N1490
SCALE		BUYER NO	002

TITLE: ADAPTER  
DB25 SNAP HOOD  
**AB939**

DRAWN	Y.C.C 5/21	CHECK		APPRO	
ASSMANN Electronics, Inc.					