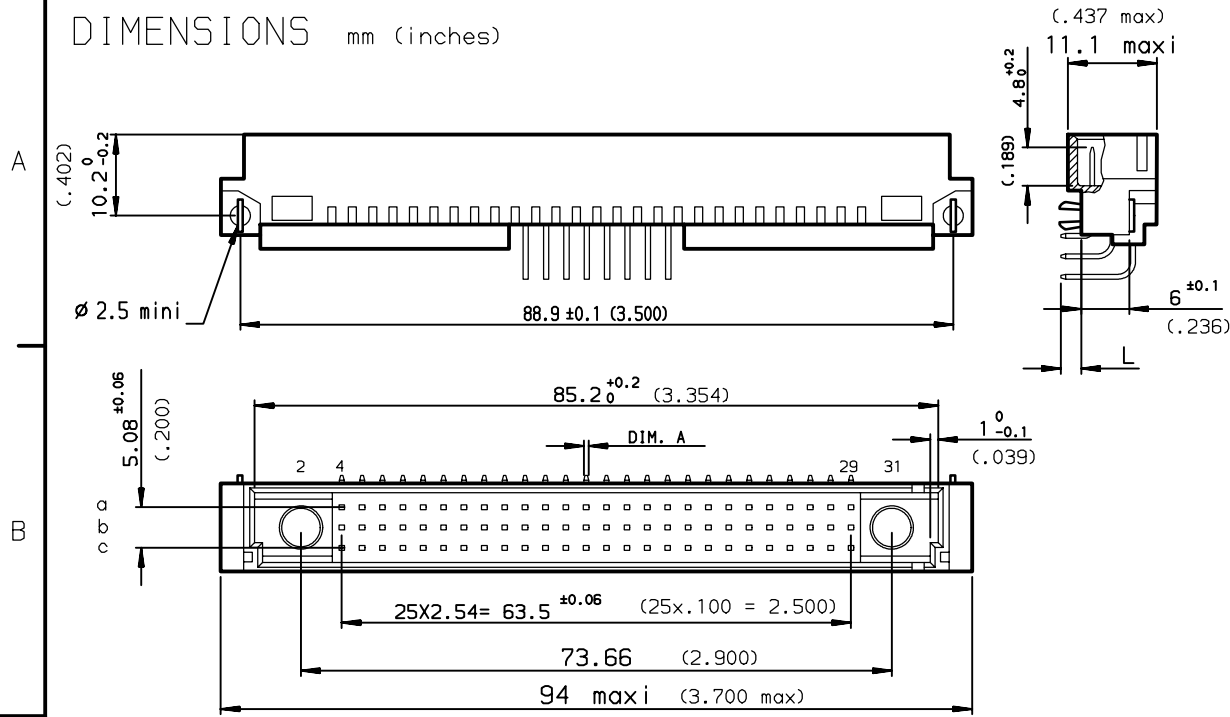


DIMENSIONS mm (inches)



GENERAL CHARACTERISTICS AND ROHS INFORMATIONS:  
SEE DRAWING C-8609-0000A

TIN LEAD	LEAD FREE	
8609 378 A1 13 755 000 E1	8609 378 A1 13 755 E1 LF	Style M header, 78 Position, solder to board, class 2

Application specific part-numbers: See sheet 2

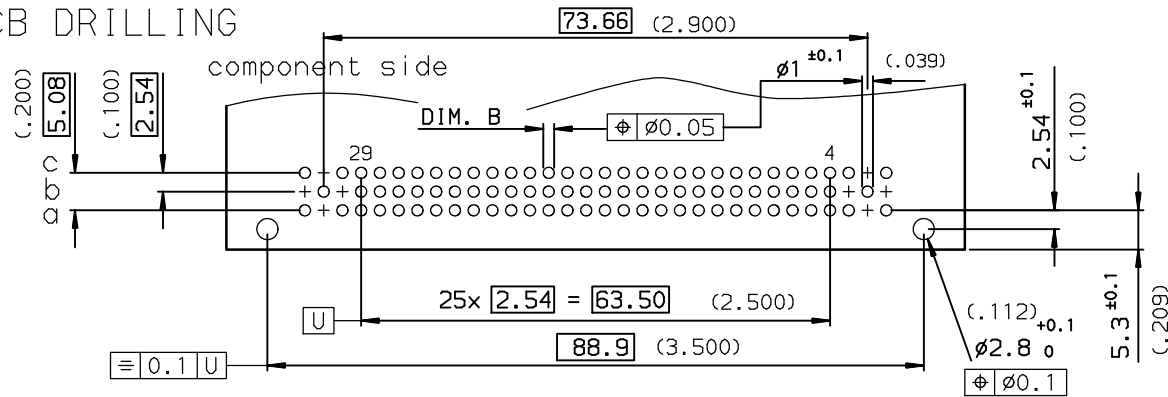
European Views

www.fciconnect.com		surface ISO 1302 ✓	tolerance std ISO 406 ISO 1101	projection mm	size A3	Scale 1.5
TOLERANCES UNLESS OTHERWISE SPECIFIED						
Dr	ROUILLARD	1992/09/16	ANGULAR	LINEAR	0.X ± 0.1	0.XX ± 0.1
Eng	TARON	1992/09/16	0.XX' ± 2'	0.XXX ± 0.1	ECN	LS06-0097
Chr	LEGARE	1992/09/16	Product family		DIN 8609	
Appr	LEGARE	1992/09/16	Spec ref		-	
FCJ		RIGHT ANGLE HEADER - STYLE M			dwg no	C-8609-0309-1
		SOLDER TO BOARD			Rev.	G
		catalog no			CUSTOMER sheet 1 of 1	

rev	ecn no	dr	date
E	-	ROU	2002/08/30
F	LS05-001	JTA	2005/03/04
G	LS06-0097	LGO	2006/07/11
-	-	-	-
-	-	-	-
-	-	-	-

PART NUMBER		8609		A1		5	
PIN OUT		rows a-b-c		3		78	
		rows a-c		4		52	
NUMBER OF CONTACTS							
TERMINATION		L = 2.75 ±0.15 (.108)		A = ∅0.6 <sup>0</sup> <sub>-0.08</sub>		B = ∅0.8 <sup>0</sup> <sub>+0.3</sub>	
		L = 4.15 ±0.15 (.163)		A = 0.6X0.6		B = ∅1±0.1	
no option		with harpoons		7		H	
		for PCB thickness 1.6 mm					
DIN 41612 class 3		DIN 41612 class 2		DIN 41612 class 1		4	
TERMINATION TYPE		TIN LEAD		LEAD FREE		: 000E1 : E1LF	

PCB DRILLING



GENERAL CHARACTERISTICS AND ROHS INFORMATIONS:

SEE DRAWING C-8609-0000A

European Views

www.fciconnect.com		surface	tolerance std	projection	mm
		ISO 1302	ISO 406 ISO 1101		
TOLERANCES UNLESS OTHERWISE SPECIFIED					
Dr	ROUILLARD	1992/09/16	0.x	±0.1	size
Eng	TARON	1992/09/16	0.xx	±0.1	A3
Chr	LEGARE	1992/09/16	0.xxx	±0.1	Scale
Appr	LEGARE	1992/09/16	Product family		1.5
			DIN 8609		ECN
			Spec ref		LS06-0097
		title		Rev.	
		RIGHT ANGLE HEADER - STYLE M		C-8609-0309-2	
		SOLDER TO BOARD		G	
catalog no				CUSTOMER sheet 1 of 1	

rev	ecn no	dr	date
E	-	ROU	2002/08/30
F	LS05-001	JTA	2005/03/04
G	LS06-0097	LGO	2006/07/11
-	-	-	-
-	-	-	-
-	-	-	-
-	-	-	-

