

**Operating Temperature Range**

-25° to 70° C, relative humidity of 85% or less

**Materials**

1. Tip contact: C5191, 40µ" Ni plated, 1 µ" Au plated
2. Ring contact: C5191, 40µ" Ni plated, 1 µ" Au plated
3. Ring contact: C5191, 40µ" Ni plated, 1 µ" Au plated
4. Sleeve contact: C5191, 40µ" Ni plated, 1 µ" Au plated
5. Shell: C2700 brass, 1 µm nickel plated
6. Top head: C3603 brass, 1 µm nickel plated
7. Insulator: PBT (UL94-HB), black

**Electrical Requirements**

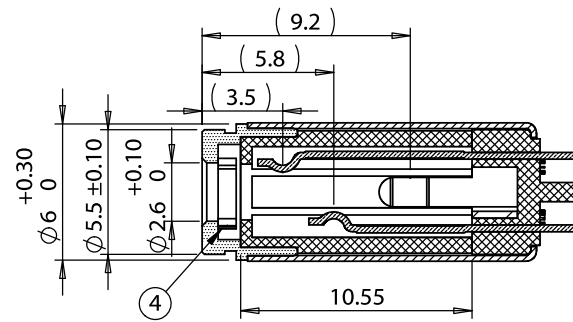
Dielectric strength: 1 min @ 200 Vac  
 Insulation resistance: 50 MΩ @ 100 Vdc  
 Contact resistance: 100 mΩ or less

**Mechanical Requirements**

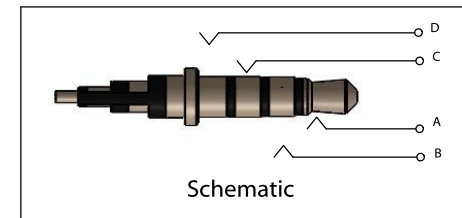
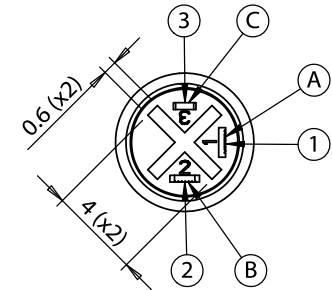
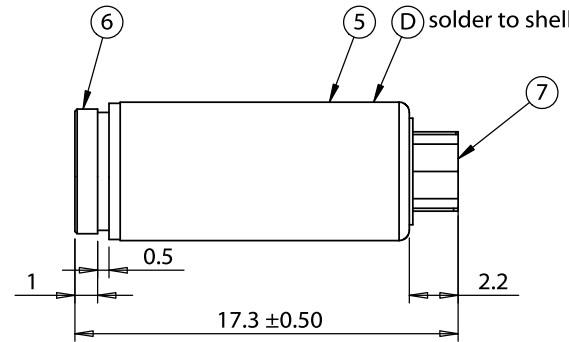
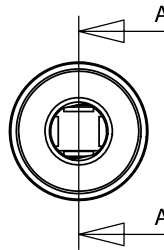
Insertion force: 0.4-4 kgf  
 Withdrawal force: 0.4-4 kgf  
 Life cycle: 5000 mating cycles while maintaining 0.3 kgf min. insertion force, 0.3 kgf min. withdrawal force and less than 100 mΩ contact resistance.

**Environmental Requirements**

Heat test: 70 °C, relative humidity 70-85% for 96 hours without deformation  
 Humidity test: 40 °C, relative humidity 90-100% for 96 hours without deformation  
 Salt spray test: 35±2 °C, relative humidity 90-95%, 5% NaCl mist for 24 hrs. Wash parts after test. Maintain mechanical requirements and a contact resistance of less than 100 mΩ.



SECTION A-A  
SCALE 3 : 1



| Revision: | Date:      | Description:                |
|-----------|------------|-----------------------------|
| A         | 9/4/2009   | Initial release             |
| A1        | 6/27/2016  | Modified overall dimensions |
| A2        | 10/13/2016 | Corrected dimensioning      |

Prepared:  
GL  
2016.10.13 11:19:29 -07'00'

Verified:  
PS  
Digitally signed by PS  
Date: 2016.10.13 11:35:34  
+0700

Dimensions are in millimeters.  
 Tolerances:  
 X: ± 0.5 mm  
 X.X: ± 0.3 mm  
 X.XX: ± 0.05 mm

Notes:  
RoHS compliant

Function test: no open, no short circuit, no intermittent

Description:  
Connector, 4C audio jack, 2.5x6.0xL17.3 mm, brass, nickel plated, molding style

**TENSILITY**

tel 1.541.323.3228 800 877.670.7118  
 fax 1.541.323.4202 web tensility.com

Size: A Part number: 50-00040

Scale: 5:1 Sheet 1 of 1