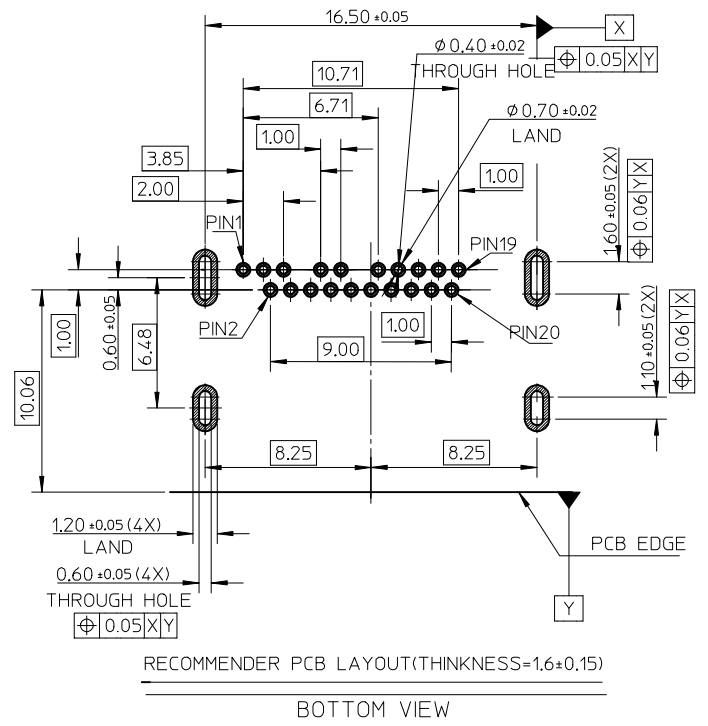
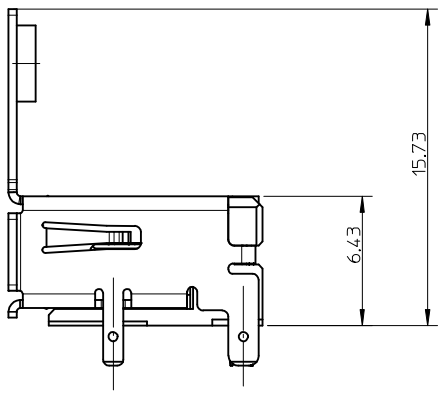
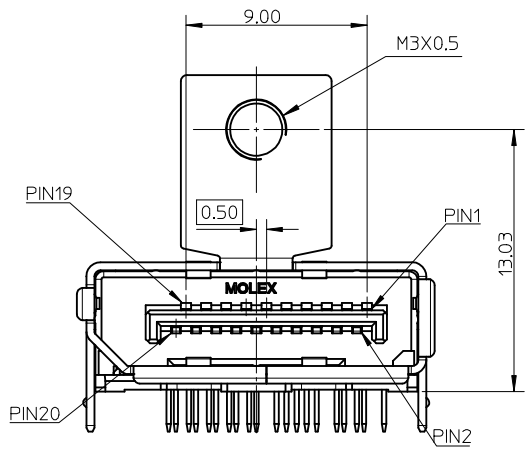
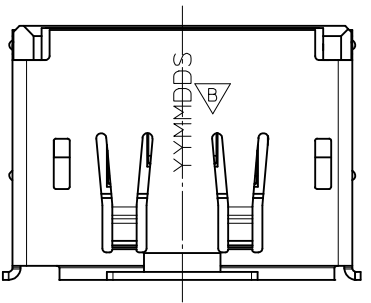
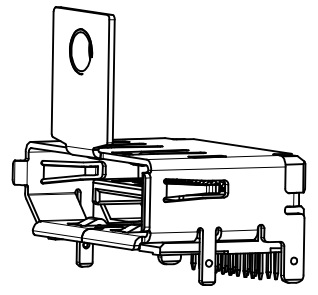




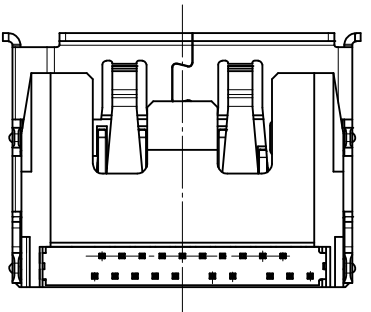
# WITH FLANGE

NOTES:  
UNSPECIFIED DIMENSION ARE SAME AS SHEET1



RECOMMENDER PCB LAYOUT(THICKNESS=1.6±0.15)

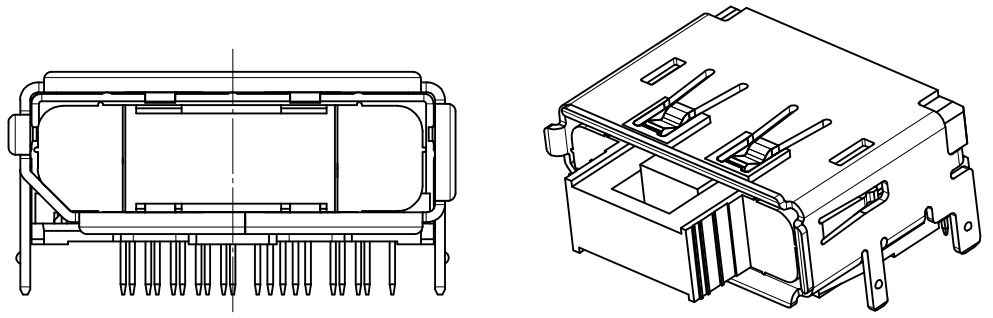
BOTTOM VIEW



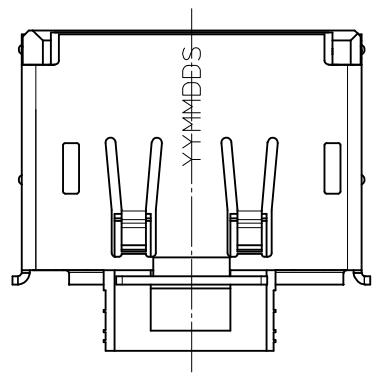
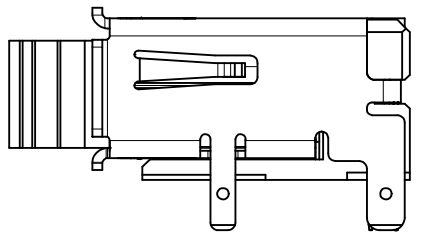
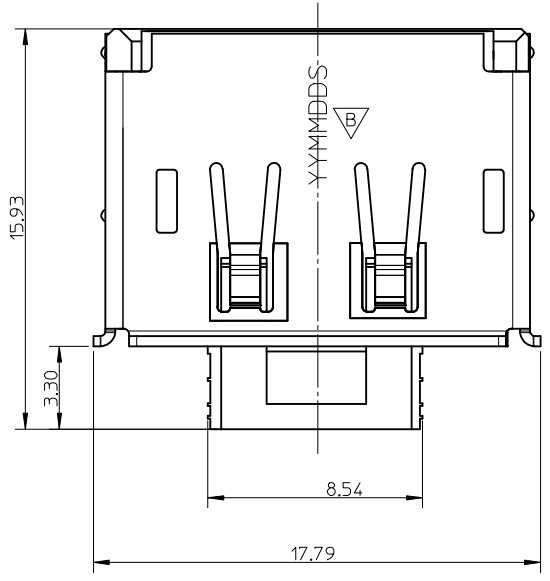
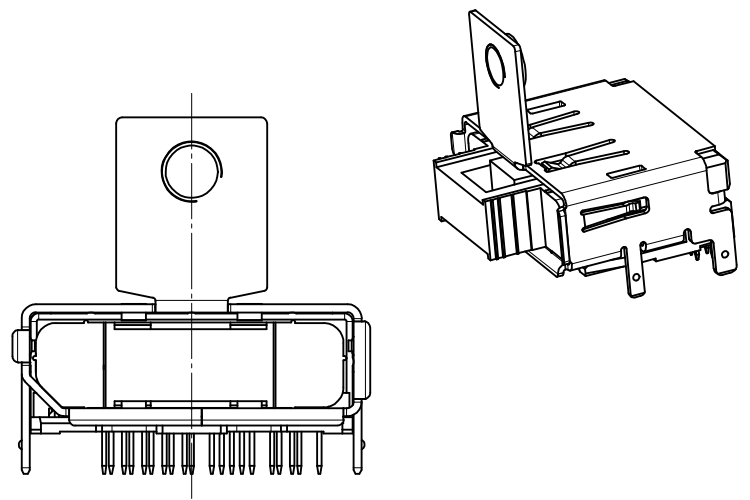
SEE SHEET 1 EC NO: SH2013-0046 DRWNR:ZHANG CHKD:RZHANG APPR:AYIN	2013/10/30 2013/10/30 2013/12/31	DESCRIPTION REV	QUALITY SYMBOLS	GENERAL TOLERANCES (UNLESS SPECIFIED)	DIMENSION STYLE	SCALE	DESIGN UNITS	THIRD ANGLE PROJECTION
			$\nabla F=0$ $\nabla E=0$ $\nabla A=0$	mm    INCH 4 PLACES ± --- ± --- 3 PLACES ± --- ± --- 2 PLACES ± 0.2 ± --- 1 PLACE ± 0.2 ± --- ANGULAR ± 3 °	MM ONLY	1:1	METRIC	
			DRAFT WHERE APPLICABLE MUST REMAIN WITHIN DIMENSIONS	DRAWN BY: HHE    DATE: 2007-05-21 CHECKED BY: HWANG    DATE: 2007-05-21 APPROVED BY: JNCHEN    DATE: 2007-05-21	TITLE	1.0MM PITCH DIP TYPE DISPLAY PORT HEADER		
			SEE SHEET 4	MATERIAL NO. MOLEX INCORPORATED	DOCUMENT NO. SD-105020-001	SHEET NO. 2 OF 4		

10 9 8 7 6 5 4 3 2 1

WITH COVER



WITH FLANGE AND COVER



- NOTES:  
 1.UNSPECIFIED DIMENSION ARE SAME AS SHEET1  
 2.CONNECTOR WITH COVER IS RECOMMENDED FOR WAVING SOLDERING PEG  
 3.PCB DIMENSION REFER TO SHEET1

- NOTES:  
 1.UNSPECIFIED DIMENSION ARE SAME AS SHEET1  
 2.CONNECTOR WITH COVER IS RECOMMENDED FOR WAVING SOLDERING PEG  
 3.PCB DIMENSION REFER TO SHEET1

SEE SHEET 1 EC NO: SH2013-0046 DRWNR:ZHANG 2013/10/30 CHKDR:ZHANG 2013/10/30 APPR:AYIN 2013/12/31	QUALITY SYMBOLS $F_A=0$ $F_G=0$ $F_P=0$	GENERAL TOLERANCES (UNLESS SPECIFIED)		DIMENSION STYLE	SCALE	DESIGN UNITS	THIRD ANGLE PROJECTION
				MM ONLY	1:1	METRIC	
				DRAWN BY	DATE	TITLE	
				CHECKED BY	DATE		
D6	REV	4 PLACES	± ---	± ---	HHE	2007-05-21	10MM PITCH DIP TYPE DISPLAY PORT HEADER
		3 PLACES	± ---	± ---	HWANG	2007-05-21	
		2 PLACES	± 0.2	± ---	JNCHEN	2007-05-21	MOLEX INCORPORATED
		1 PLACE	± 0.2	± ---	MATERIAL NO.	DOCUMENT NO.	
		ANGULAR ± 3 °		SEE SHEET 4		SD-105020-001	SHEET NO.
		DRAFT WHERE APPLICABLE MUST REMAIN WITHIN DIMENSIONS		THIS DRAWING CONTAINS INFORMATION THAT IS PROPRIETARY TO MOLEX INCORPORATED AND SHOULD NOT BE USED WITHOUT WRITTEN PERMISSION		3 OF 4	

9 8 7 6 5 4 3 2 1

ASSEMBLY NO.	FLANGE	PLATING IN THE CONTACT AREA	PLATING IN THE SOLDER TAIL AREA	WITH COVER	REMARK	PACKAGE	A	SHELL MATERIAL
1050200001	WITHOUT	SEE NOTE2(1)	SEE NOTE2(a)	WITHOUT	FOR SHEET 1	PK-105020-001	0.82	STAINLESS STEEL
1050200251		SEE NOTE2(2)						
1050200003		SEE NOTE2(3)						
1050200004		SEE NOTE2(4)						
1050200013	WITH	SEE NOTE2(1)	SEE NOTE2(b)	WITHOUT	FOR SHEET 2	PK-105020-002	NONE	PHOSPHOR BRONZE
1050200002		SEE NOTE2(1)						
1050200252		SEE NOTE2(2)						
1050200005		SEE NOTE2(3)						
1050200016	WITHOUT	SEE NOTE2(4)	SEE NOTE2(a)	WITH	FOR SHEET 3	PK-105020-102	0.82	STAINLESS STEEL
1050200007		SEE NOTE2(1)						
1050200257		SEE NOTE2(2)						
1050200008		SEE NOTE2(1)						
1050200008	WITH	SEE NOTE2(1)	SEE NOTE2(a)	WITH	FOR SHEET 3	PK-105020-102	0.82	STAINLESS STEEL
1050200258	SEE NOTE2(2)							
1050200009	WITHOUT	SEE NOTE2(3)						
1050200010	SEE NOTE2(4)							
1050200011	WITH	SEE NOTE2(3)	SEE NOTE2(a)	WITH	FOR SHEET 3	PK-105020-102	0.82	STAINLESS STEEL
1050200012	SEE NOTE2(4)							
1050200012	WITH	SEE NOTE2(3)						
1050200121	WITHOUT	SEE NOTE2(1)						
1050200121	WITHOUT	SEE NOTE2(1)	WITHOUT	FOR SHEET 1	PK-105020-003	1.35	STAINLESS STEEL	

SEE SHEET 1 EC NO: SH2013-0046 2013/10/30 DR:WZRZHANG 2013/10/30 CH:KDFZHANG 2013/10/30 APPR:AYIN 2013/12/31	QUALITY SYMBOLS	GENERAL TOLERANCES (UNLESS SPECIFIED)		DIMENSION STYLE MM ONLY		SCALE 1:1	DESIGN UNITS METRIC	THIRD ANGLE PROJECTION
	$F_A=0$	4 PLACES	mm	INCH	DRAWN BY HHE	DATE 2007-05-21	TITLE 1.0MM PITCH DIP TYPE DISPLAY PORT HEADER	
	$F_B=0$	3 PLACES	± ---	± ---	CHECKED BY HWWANG	DATE 2007-05-21		
	$F_C=0$	2 PLACES	± 0.2	± ---	APPROVED BY JNCHEN	DATE 2007-05-21	MOLEX INCORPORATED	
$F_D=0$	1 PLACE	± 0.2	± ---	MATERIAL NO. SEE TABLE	DOCUMENT NO. SD-105020-001	SHEET NO. 4 OF 4		
DRAFT WHERE APPLICABLE MUST REMAIN WITHIN DIMENSIONS		ANGULAR ± 3 °		THIS DRAWING CONTAINS INFORMATION THAT IS PROPRIETARY TO MOLEX INCORPORATED AND SHOULD NOT BE USED WITHOUT WRITTEN PERMISSION				