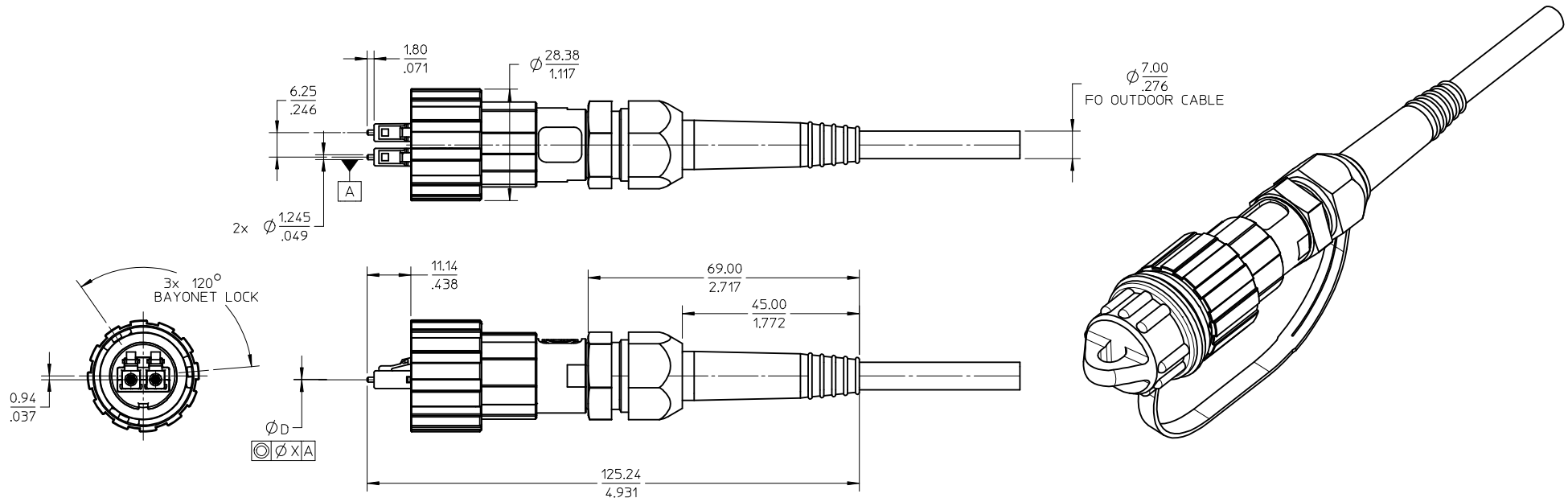


| PLUG ASSY P/N | CABLE TYPE | $\phi D (\mu)$ | $\phi X (\mu)$ |
|---------------|-------------|----------------|----------------|
| 1060597300 | MULTIMODE | 127 +3/-0 | 3 |
| 1060597700 | SINGLE MODE | 126 +1/-0 | 1 |



NOTES:

1. ALL DIMENSIONS SHOWN ARE FOR REFERENCE ONLY.
2. DUST CAP AND TETHER ARE SHOWN IN THE ISOMETRIC VIEW ONLY.

| | | | | | | | |
|---|-------------------------------|---------------------------------------|--|---------------------------------------|---|--------------------------------|------------------------|
| ENTER DESCRIPTION EC NO: MF2009-0294 DR: MANKPEVZNER 2008/12/16 CHKD: 2008/12/16 APPR: IGUMIN 2008/12/17 | QUALITY SYMBOLS ▽=0 ▽=0 | GENERAL TOLERANCES (UNLESS SPECIFIED) | | DIMENSION STYLE MM/IN | SCALE 1:1 | DESIGN UNITS METRIC | THIRD ANGLE PROJECTION |
| | | mm | INCH | DRAWN BY DATE B. ANDREI 11/02/2006 | TITLE PLUG ASSEMBLY METAL BODY INDUSTRIAL LC NO LOGO | | |
| | | 4 PLACES ±--- ±--- | 3 PLACES ±--- ±--- | CHECKED BY DATE S. MIGO 12/4/2006 | MOLEX INCORPORATED | | |
| | | 2 PLACES ±--- ±--- | 1 PLACE ±--- ±--- | APPROVED BY DATE | MATERIAL NO. SEE TABLE | DOCUMENT NO. SD-106059-7300 | SHEET NO. 1 OF 1 |
| | | ANGULAR ±---° | DRAFT WHERE APPLICABLE MUST REMAIN WITHIN DIMENSIONS | | THIS DRAWING CONTAINS INFORMATION THAT IS PROPRIETARY TO MOLEX INCORPORATED AND SHOULD NOT BE USED WITHOUT WRITTEN PERMISSION | | |