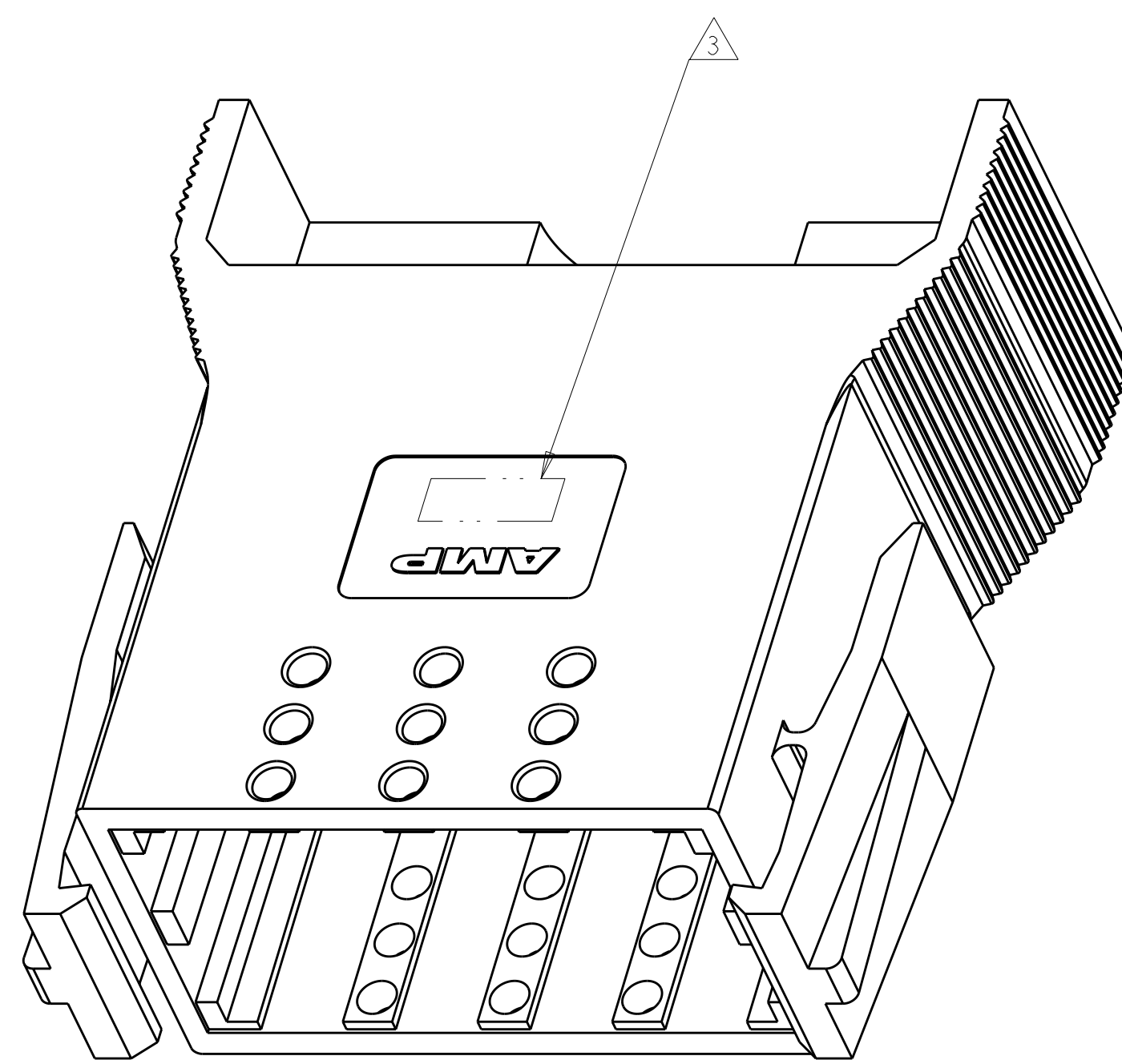
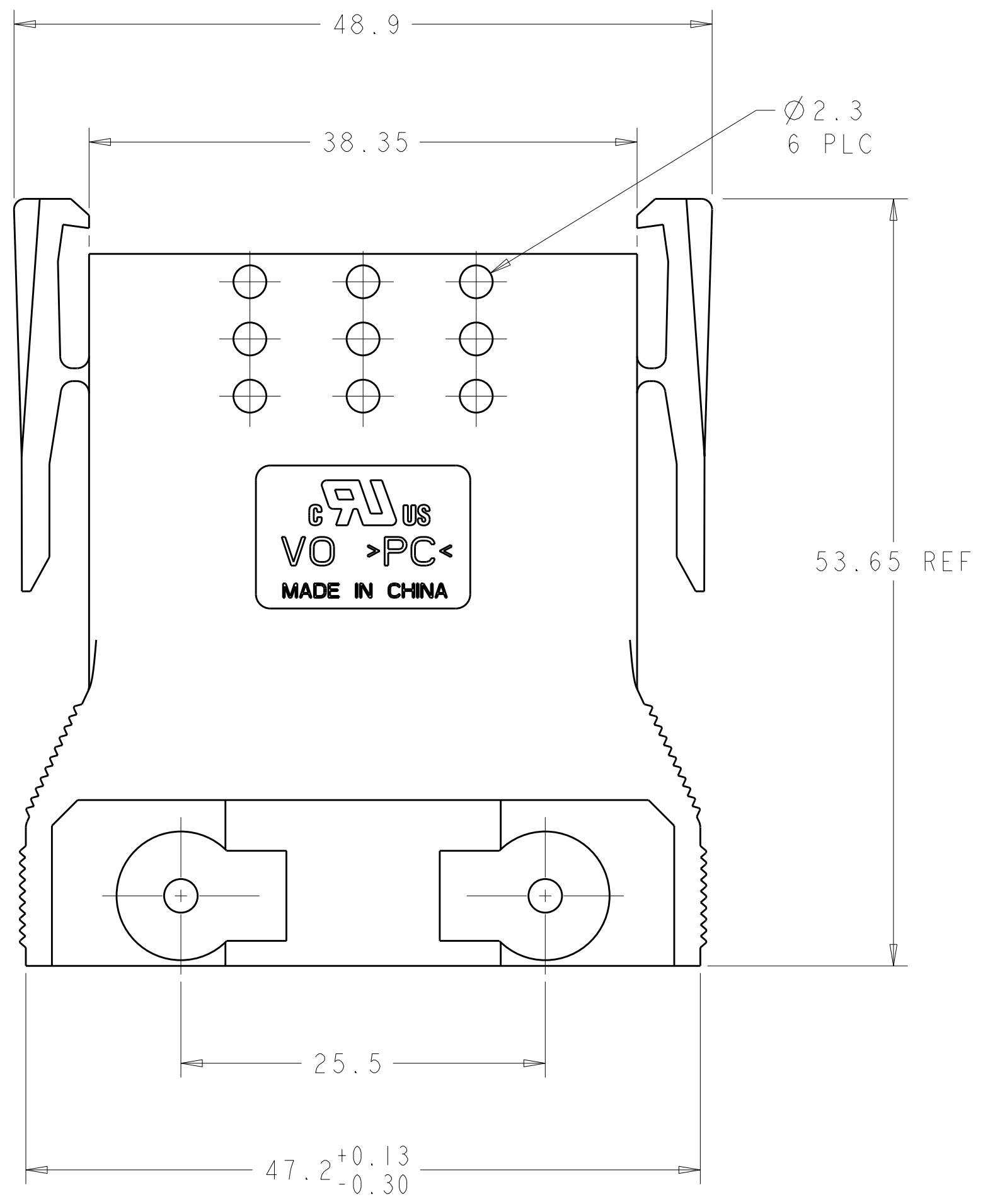
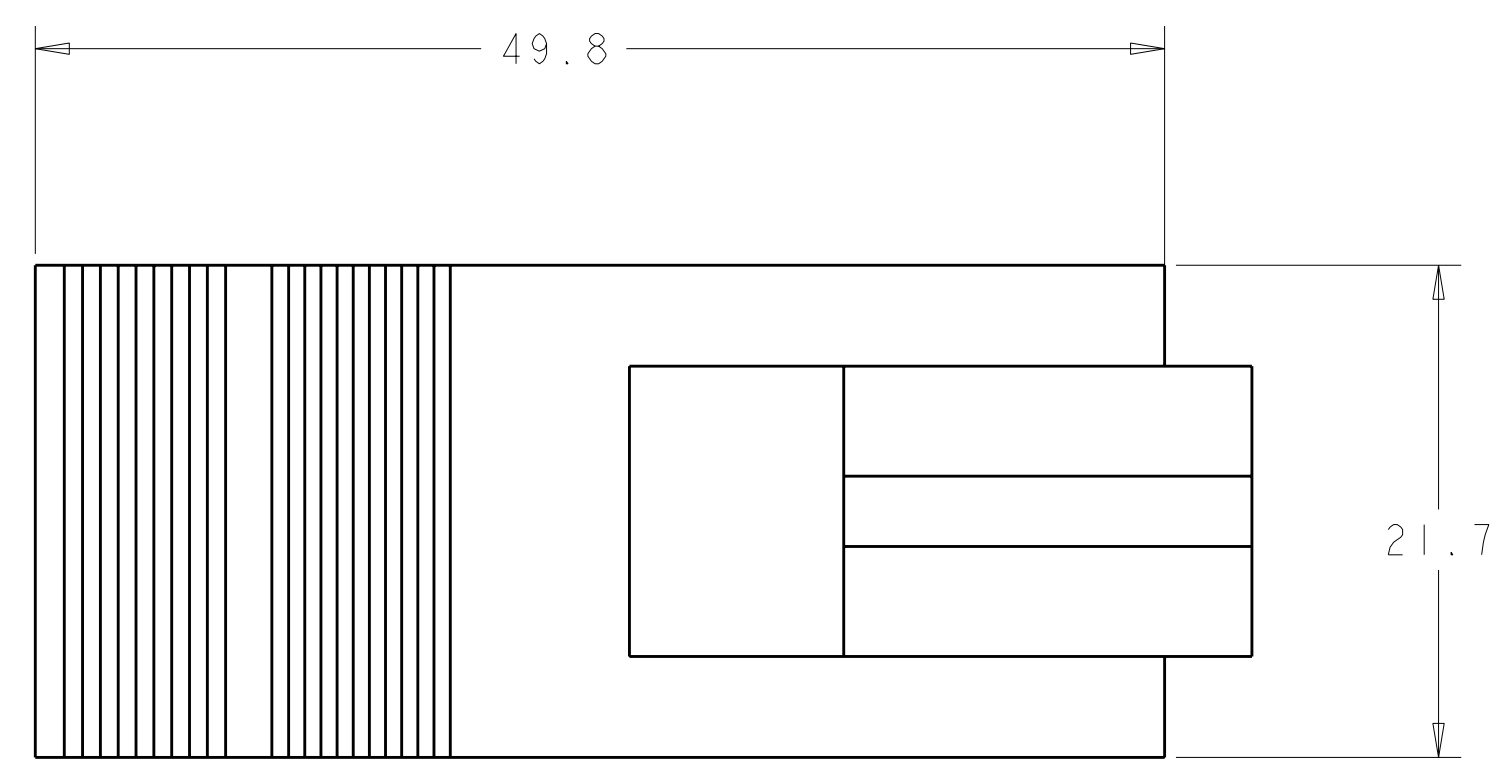
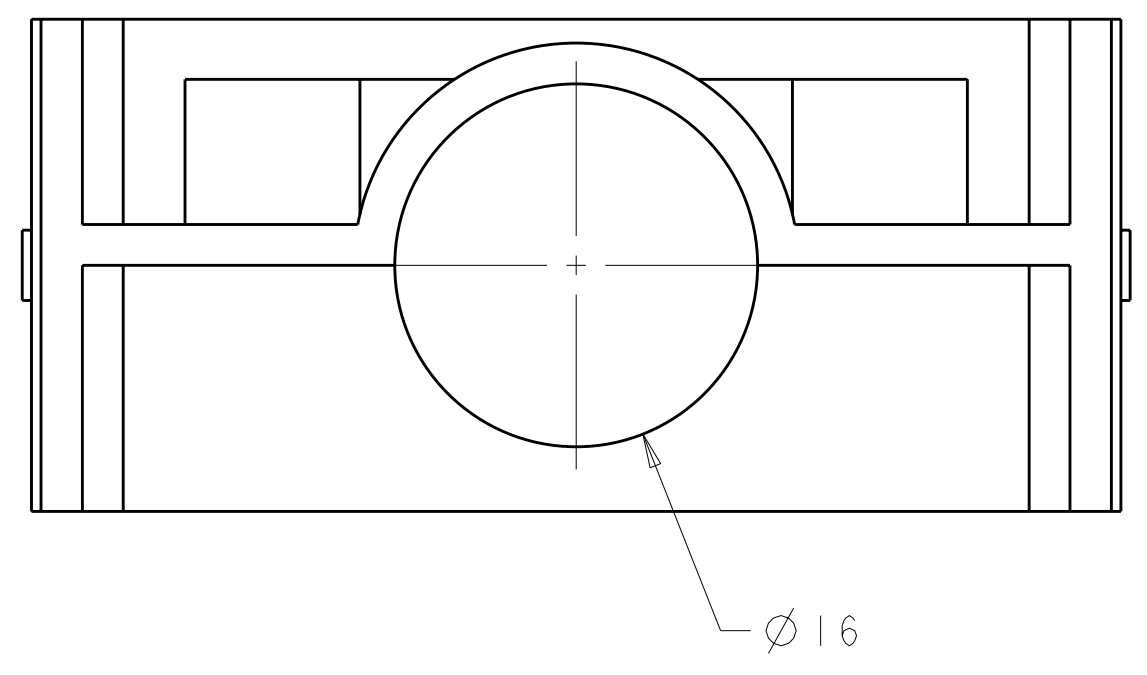


LOC	DIST	REVISIONS			
FT	0	REV	DATE	DWN	APVD
		B	REVISED PER ECO-11-005167	03JUN2011	HMR DY



- 1. MATERIAL: POLYCARBONATE 94-V0
- 2. COLOR: BLACK
- 3. TE OR TE CONNECTIVITY LOGO LOCATED APPROX IN THIS AREA.



1604085-1  
PART NUMBER

THIS DRAWING IS A CONTROLLED DOCUMENT.		DWN: B. HAYMAKER 09JAN2002	<b>STE</b> TE Connectivity															
DIMENSIONS: mm		CHK: K. KETELSLEGER 14MAR02																
TOLERANCES UNLESS OTHERWISE SPECIFIED:		APVD: K. KETELSLEGER 14MAR02	NAME: HOUSING, 2X4 POWER SERIES PLUG WITH LATCH															
<table border="1"> <tr><td>0 PLC</td><td>±0.13</td></tr> <tr><td>1 PLC</td><td>±0.13</td></tr> <tr><td>2 PLC</td><td>±0.13</td></tr> <tr><td>3 PLC</td><td>±0.13</td></tr> <tr><td>4 PLC</td><td>±0.13</td></tr> <tr><td>ANGLES</td><td>±°</td></tr> <tr><td>FINISH</td><td>±30°</td></tr> </table>		0 PLC	±0.13	1 PLC	±0.13	2 PLC	±0.13	3 PLC	±0.13	4 PLC	±0.13	ANGLES	±°	FINISH	±30°	PRODUCT SPEC: -	SIZE: A100779 C=1604085	
0 PLC	±0.13																	
1 PLC	±0.13																	
2 PLC	±0.13																	
3 PLC	±0.13																	
4 PLC	±0.13																	
ANGLES	±°																	
FINISH	±30°																	
MATERIAL: -		APPLICATION SPEC: -	RESTRICTED TO: -															
FINISH: -		WEIGHT: -	SCALE: 3:1 SHEET 1 OF 1 REV B															
CUSTOMER DRAWING																		