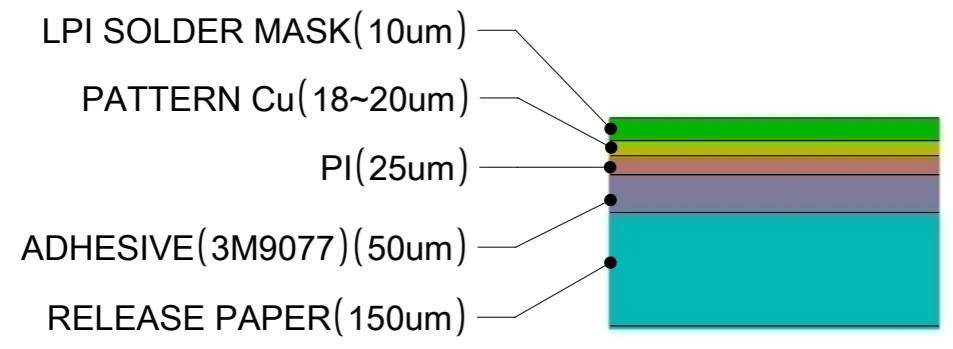
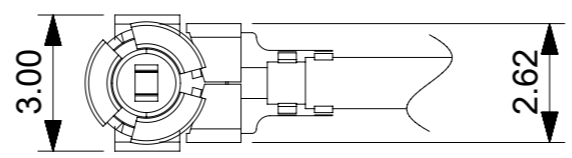
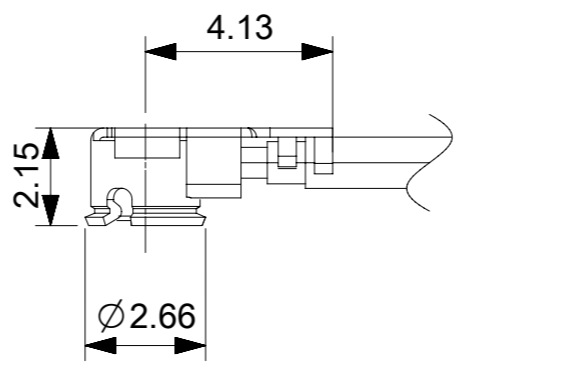


VERTICAL DIRECTION  
SEE NOTE 3



FLEX LAYER  
DETAIL A  
SCALE 100:1



CONNECTOR

- NOTES:
- MATERIAL:  
FLEX SIZE:40.4\*15.4mm  
CABLE:Ø1.13mm  
CONNECTOR:OD1.13 RF 2.5H MHF-13-N-01 CONNECTOR (PLUG GOLD PLATED)
  - SOLDER MASK:BLACK.
  - FOR PULL TEST, CAN NOT LIFT UP IN THE VERTICAL DIRECTION.
  - APPLICATION SPEC PLEASE REFER TO AS OF 2072350100.
  - PRODUCT SPEC PLEASE REFER TO PS OF 2072350100.
  - PACKAGING DRAWING PLEASE REFER TO PK OF 2072350100.
  - THE CONNECTOR WILL BE PROTECTED WITH A CAP.

ITEM	MATERIAL NO.	CABLE LENGTH"L1"	CABLE LENGTH"L2"
1	2072350100	93.5mm	100mm
2	2072350150	143.5mm	150mm
3	2072350200	193.5mm	200mm

SYMBOLS	THIS DRAWING CONTAINS INFORMATION THAT IS PROPRIETARY TO MOLEX ELECTRONIC TECHNOLOGIES, LLC AND SHOULD NOT BE USED WITHOUT WRITTEN PERMISSION		CURRENT REV DESC:			<b>molex</b>		
	DIMENSION UNITS	SCALE						
▽ = 0	mm	2.5:1	EC NO: 174969			PRODUCT CUSTOMER DRAWING		
▽ = 0	GENERAL TOLERANCES (UNLESS SPECIFIED)		DRWN: KCHENG06 2018/04/12			DOCUMENT NUMBER		
▽ = 0	ANGULAR TOL ± °		CHK'D: KCHENG06 2018/05/11			DOC TYPE		
▽ = 0	4 PLACES ±		APPR: XJSONG 2018/05/11			DOC PART		
▽ = 0	3 PLACES ± 0.05		INITIAL REVISION:			REVISION		
▽ = 0	2 PLACES ± 0.15		DRWN: KCHENG06 2018/04/12			2072350100		
▽ = 0	1 PLACE ± 0.2		APPR: XJSONG 2018/05/11			PSD		
▽ = 0	0 PLACES ± 0.5		DRAFT WHERE APPLICABLE MUST REMAIN WITHIN DIMENSIONS			SD		
□ = 0	THIRD ANGLE PROJECTION		DRAWING			A		
■ = 0	DRAWING		SERIES			SHEET NUMBER		
▽ = 0	A3-SIZE		207235			1 OF 1		