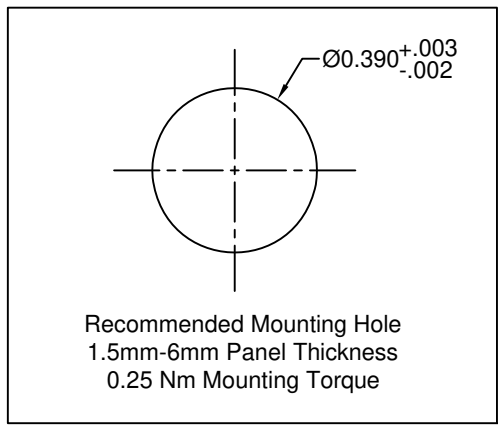
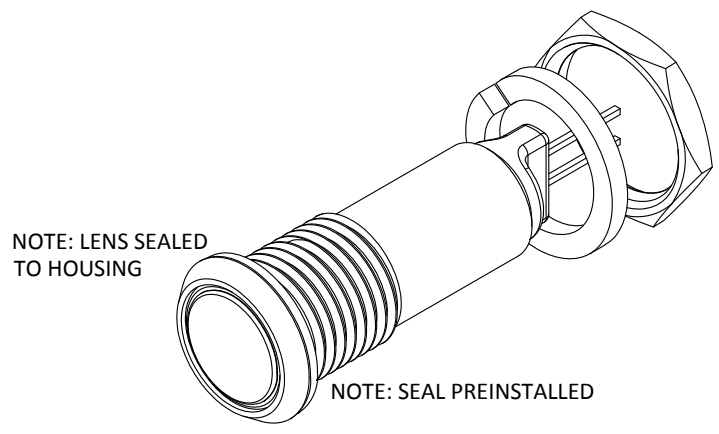
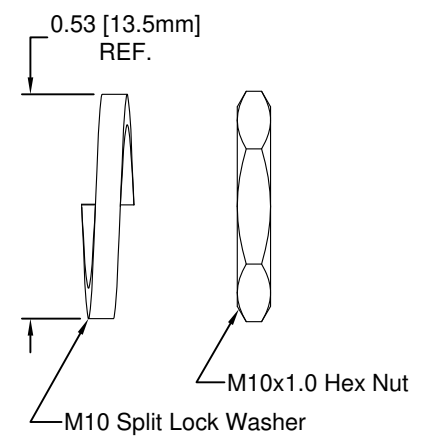
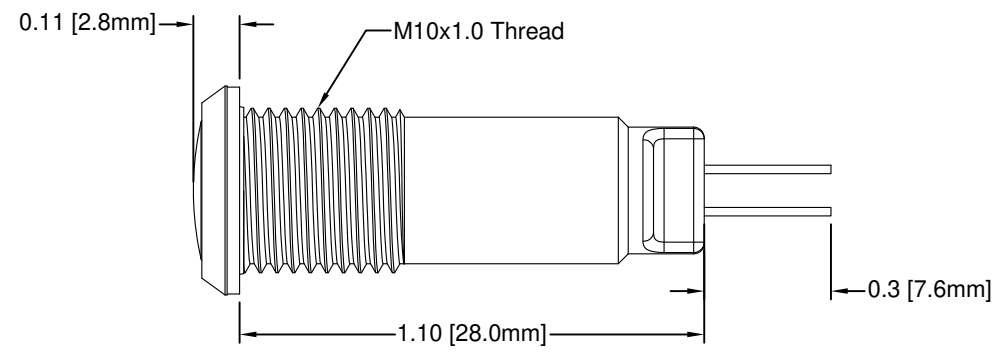
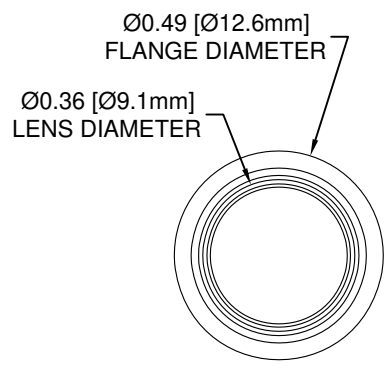


REV.	DESCRIPTION	DATE	APPROVED
A	Engineering Release	04/29/14	J. C.
B	Updated LED Optical Characteristics	09/15/15	J. C.



EXAMPLE:  
 PM5-PRGD  
 LED Color Series

- NOTES:
1. SEALED TO IP67 RATING
  2. ROHS COMPLIANT
  3. MOUNTING HARDWARE SHIPPED NON-ASSEMBLED
  4. BIPOLAR OPERATION
  5. WIDE RANGE VOLTAGE INPUT, SEE SHEET #2

STANDARD TOLERANCE (UNLESS OTHERWISE SPECIFIED)		 4 THOMAS, IRVINE, CA. 92618 TEL: (949) 951-8808 FAX: (949) 951-3974	
DECIMALS	ANGULAR		
.X ± .1	X° ± 1°	 <b>TITLE:</b> IP67 Rated Panel Mount Indicator	<b>REVISION:</b> B
.XX ± .02			
.XXX ± .010		<b>PART NO:</b> PM5-PRXXX	<b>SHEET #</b> 1 OF 2
<b>DESIGNED:</b> Alex Wright	<b>DATE:</b> 03/24/14	<b>CAGE CODE :</b> 32559	
<b>CHECKED:</b> Brian Oliver	<b>DATE:</b> 03/24/14	CAD GENERATED DOCUMENT. DO NOT MEASURE DRAWING.	


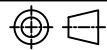
REV.	DESCRIPTION	DATE	APPROVED
	SEE SHEET #1		

Assembly Part Number	LED Part Number	Peak Wave Length $\lambda_p$ (nm)	Emitted Color	Electro-Optical Data @ 20mA		Viewing Angle
				Typ Vf (VAC/VDC)	Assembly Iv (mcd)	
				TYP	TYP	
PM5-PRAD	5AD	605	AMBER	8-48	9	120
PM5-PRBWD	5BWD0.345	430	BLUE	8-48	350	120
PM5-PRGD	5SGD	568	GREEN	8-48	11	120
PM5-PRRD	5SRD	645	RED	8-48	14	120
PM5-PRYD	5SYD	590	YELLOW	8-48	105	120

Assembly Part Number	LED Part Number	Color Temperature	Emitted Color	Electro-Optical Data @ 20mA		Viewing Angle
				Typ Vf (VAC/VDC)	Assembly Iv (mcd)	
				TYP	TYP	
PM5-PRWD	5UWD0.660N	5000K	NEUTRAL WHITE	8-48	394	120

## ABSOLUTE MAXIMUM RATINGS (Ta = 25°C)

MAXIMUM POWER DISSIPATION \_\_\_\_\_ 400 mW  
 OPERATING TEMPERATURE RANGE \_\_\_\_\_ -30°C ~ 85°C  
 STORAGE TEMPERATURE \_\_\_\_\_ -40°C ~ 85°C

STANDARD TOLERANCE ( UNLESS OTHERWISE SPECIFIED ) DECIMALS                      ANGULAR		 4 THOMAS, IRVINE, CA. 92618 TEL: (949) 951-8808    FAX: (949) 951-3974	
			
DESIGNED:	DATE:	TITLE:	REVISION:
<b>Alex Wright</b>	<b>03/24/14</b>	IP67 Rated Panel Mount Indicator	<b>B</b>
CHECKED:	DATE:	PART NO:	CAGE CODE : 32559    SHEET # 2 OF 2
<b>Brian Oliver</b>	<b>03/24/14</b>	PM5-PRXXX	
CAD GENERATED DOCUMENT. DO NOT MEASURE DRAWING.			