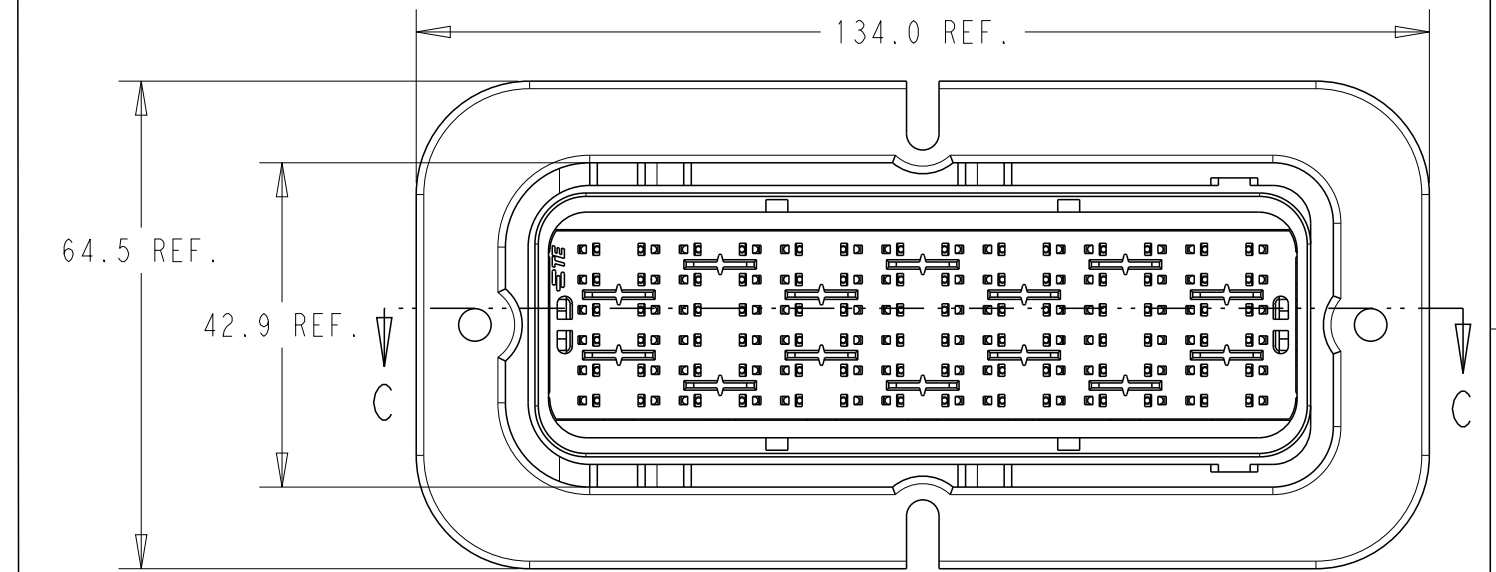
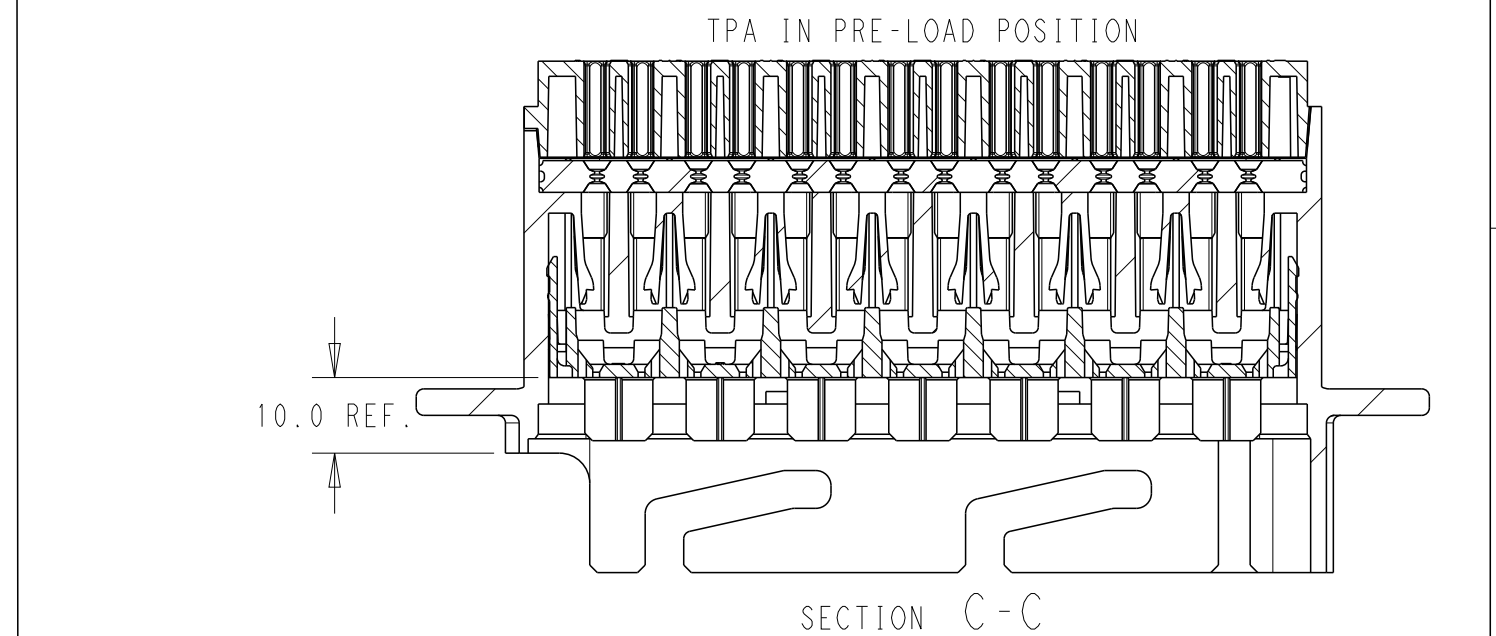
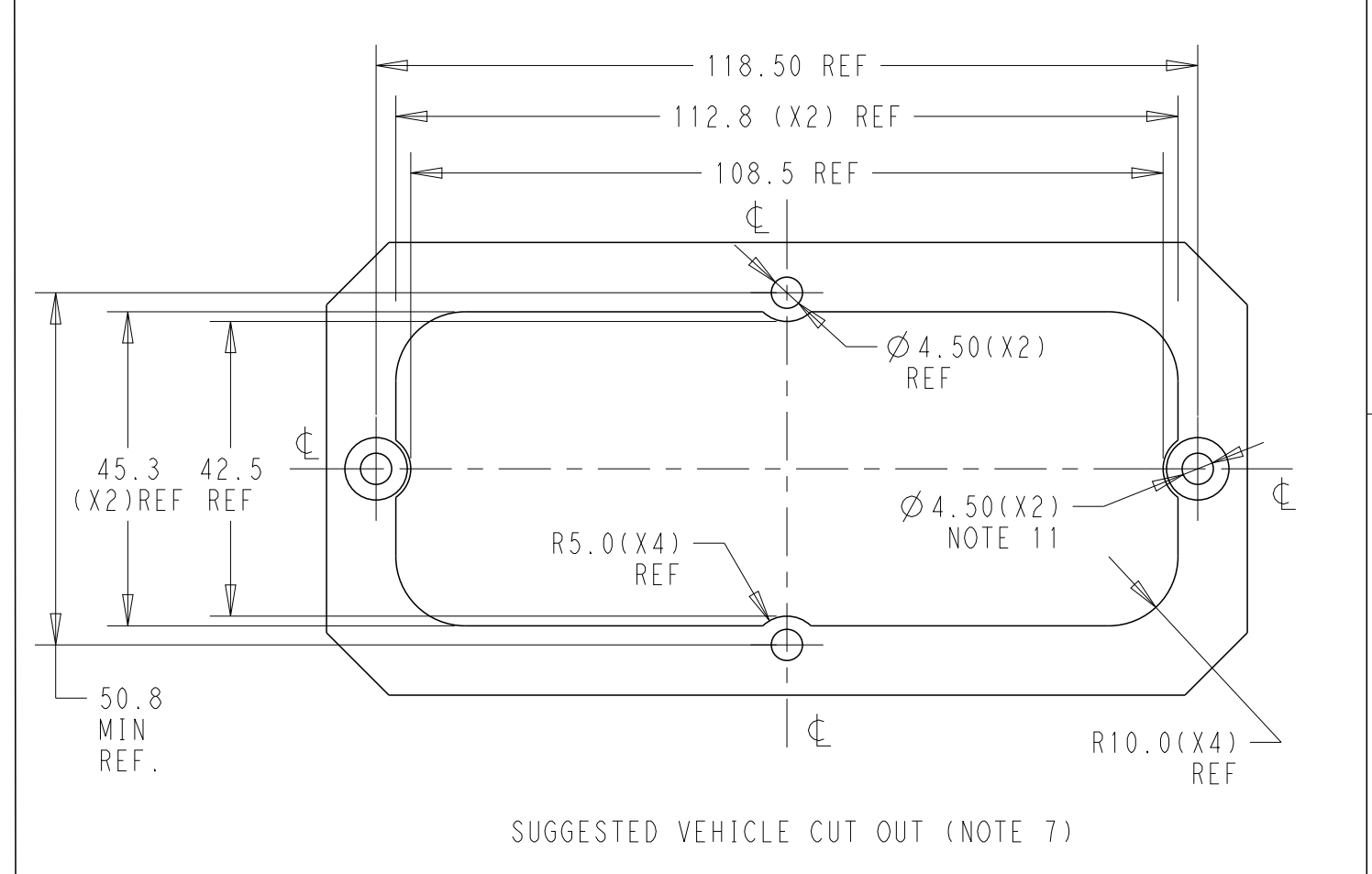
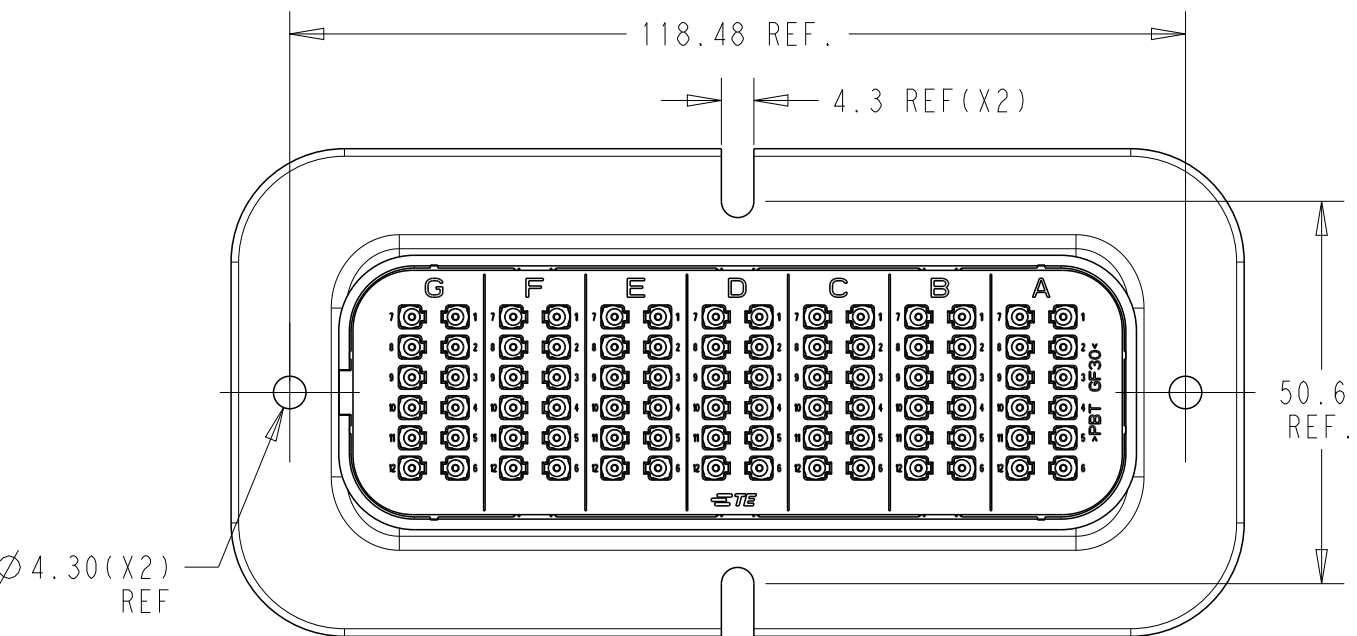
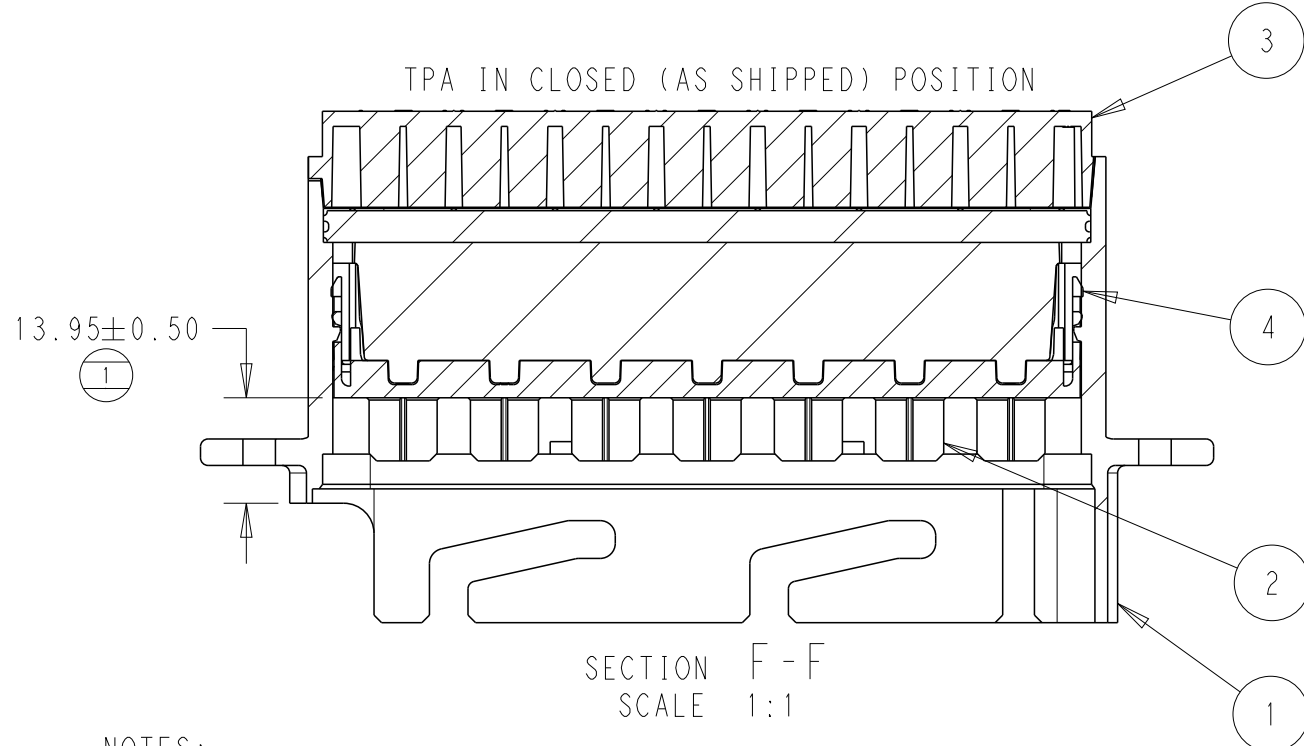
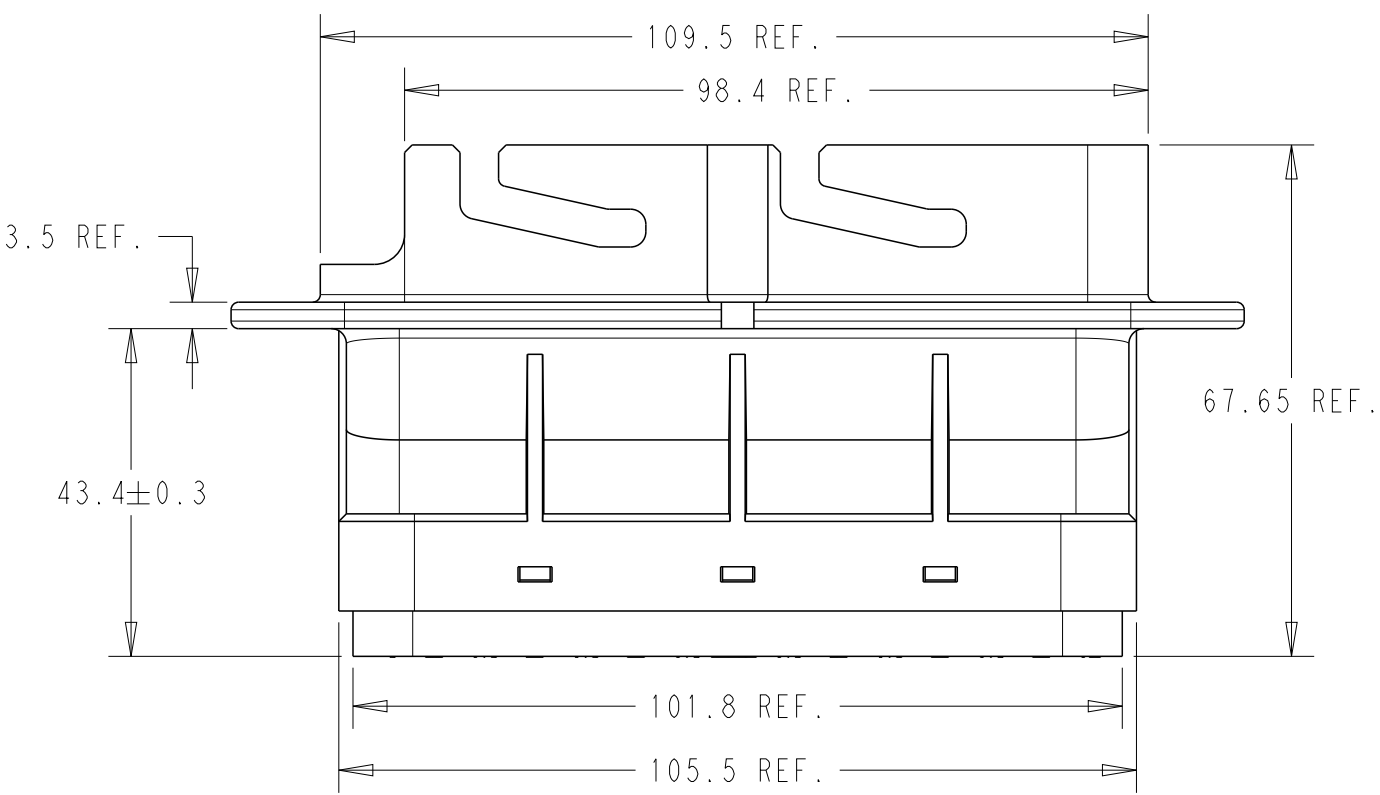
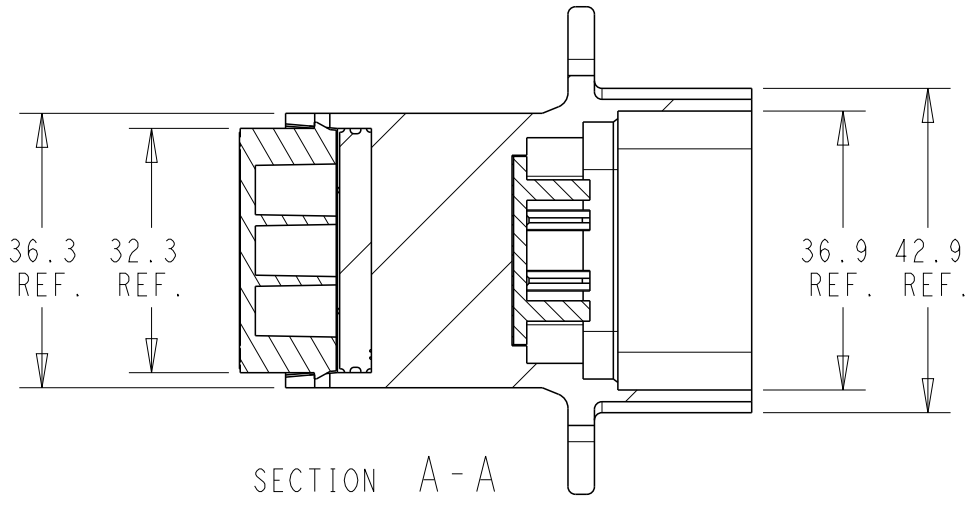
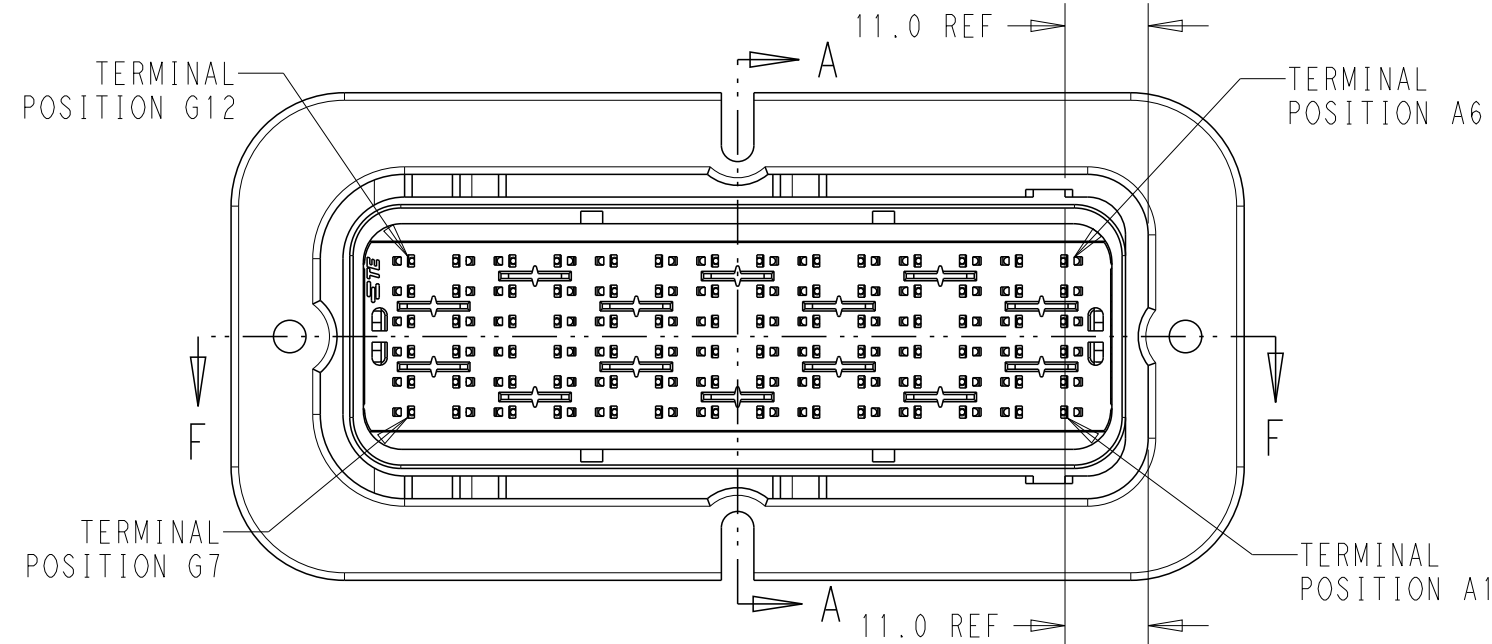


SRC2 84+0 MAIN HOUSING BLACK

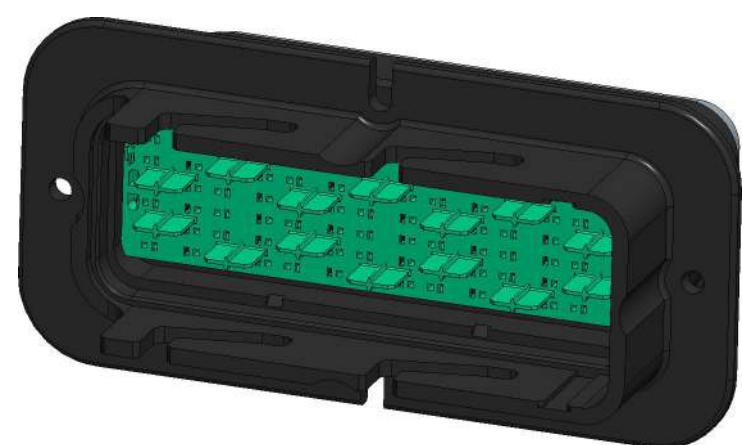
REVISIONS					
P	LTR	DESCRIPTION	DATE	DWN	APVD
A3		ECO-20-009048	15JUL2020	MHS	MT
B		PCN-21-123224	23DEC2021	DRK	AW



- NOTES:
- MATERIALS:
HOUSINGS: POLYESTER (PBT), GLASS FILLED, UL 94 HB
SEAL: SILICONE RUBBER
 - VARIATION OF SHADE WITHIN OR BETWEEN BATCHES, OR DISCOLORATION IS ACCEPTABLE
 - MX150 BLADE TERMINALS TO BE USED WITH THESE ASSEMBLIES IN ALL CAVITIES, CRIMPED WITH CABLE INSULATION OUTER DIAMETER IN THE RANGE 1.5mm TO 2.7mm
 - PACKAGING SPECIFICATION: TEC-107-160003-02
 - THIS SHEET: 2500024-1 (OLD PN 937928400) (84+0) OPTION MATES WITH SRC2 PIN RECEPTACLE HOUSING ASSEMBLY (BLACK) PN 2500008-1 (OLD PN 932870001)
 - FLANGE GASKET OPTION: REFER TO 2500032-1
 - SUGGESTED DIMENSIONS FOR FLAT PLATE. CUSTOMER SHOULD VERIFY FIT IN THEIR OWN APPLICATION. ALL DIMENSIONS SYMMETRIC ABOUT CENTERLINES.
 - CLEARANCE FOR M4 COUNTERSUNK HEADS RECOMMENDED IN THESE HOLES.
 - PRESENCE OF TE LOGO OPTIONAL ON REAR COVER, FRONT COVER & HOUSING.

ACCEPTABLE CABLE INSULATION Ø RANGES (mm) - NOTE 3						
CAVITY SET						
G	F	E	D	C	B	A
1.5 - 2.7	1.5 - 2.7	1.5 - 2.7	1.5 - 2.7	1.5 - 2.7	1.5 - 2.7	1.5 - 2.7

No.	DESCRIPTION	QTY.	COLOR
4	MALE BACK SEAL	1	RUSTED RED
3	MALE REAR COVER	1	BLACK
2	MALE FRONT COVER(TPA)	1	GREEN
1	MALE HOUSING	1	BLACK
BILL OF MATERIAL			



THIS DRAWING IS A CONTROLLED DOCUMENT.		DWN MANOHAR H S 15JUL2020	937928400 2500024-1		
DIMENSIONS: mm		CHK M TRULL 15JUL2020	OLD P/N PART NO		
TOLERANCES UNLESS OTHERWISE SPECIFIED:		APVD M TRULL 15JUL2020	TE Connectivity		
0 PLC ±0.5		PRODUCT SPEC TEC-108-160018	NAME SRC2 84 PIN MALE BLADE HSG ASSY		
1 PLC ±0.2		APPLICATION SPEC TEC-114-160015	SIZE A2	CAGE CODE 00779	DRAWING NO C-2500024
2 PLC ±0.2		WEIGHT -	RESTRICTED TO -		
3 PLC ±		CUSTOMER DRAWING	SCALE 5:1 SHEET 1 OF 1 REV B		
4 PLC ±					
ANGLES ±					
FINISH -					