



ANATECH ELECTRONICS, INC.

Manufacturer of RF & Microwave Products

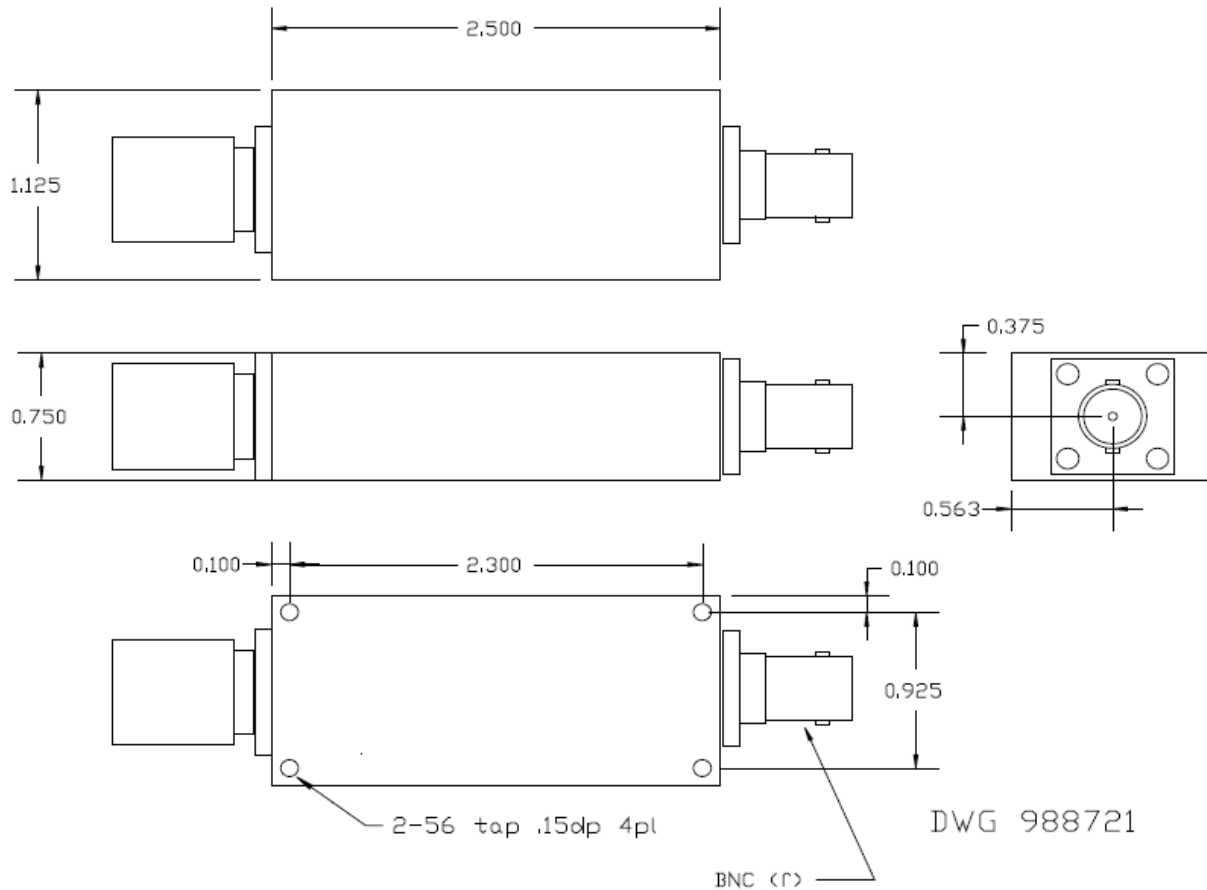


6 MHz LC Lowpass Filter

Part Number: AE6L8839

Passband	0-3MHz
Insertion loss @ 3 MHz	<0.5dB
Insertion loss @ 6 MHz	3dB +/- 0.5dB
Return loss 0-3 MHz	>15dB
Rejection @ 15MHz	47dB +/- 2dB @ 15 MHz
Group Delay Variation @ 5.67MHz	170nsec +/- 10nsec
Size	2.5x1.125x0.75
Connector	BNC(m-f)

Outline Drawing:





6 MHz LC Lowpass Filter

Part Number: AE6L8839

Response Plot:

