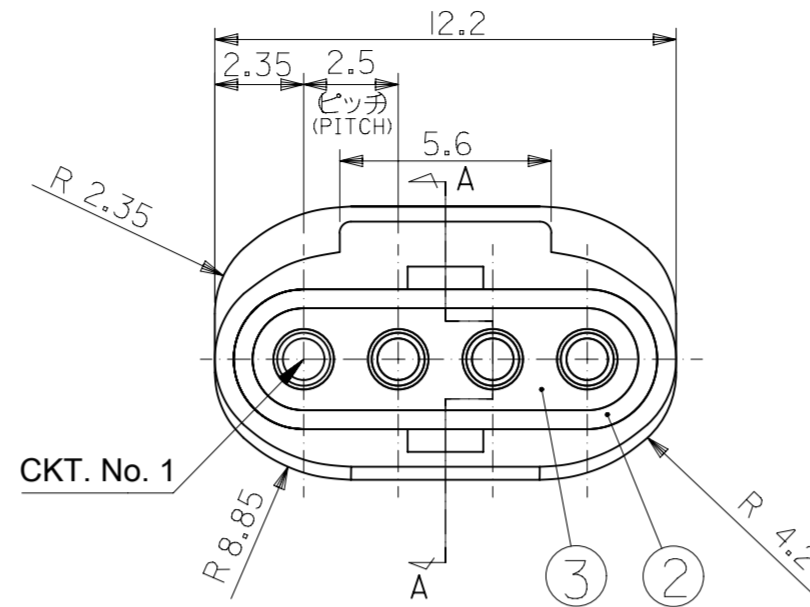
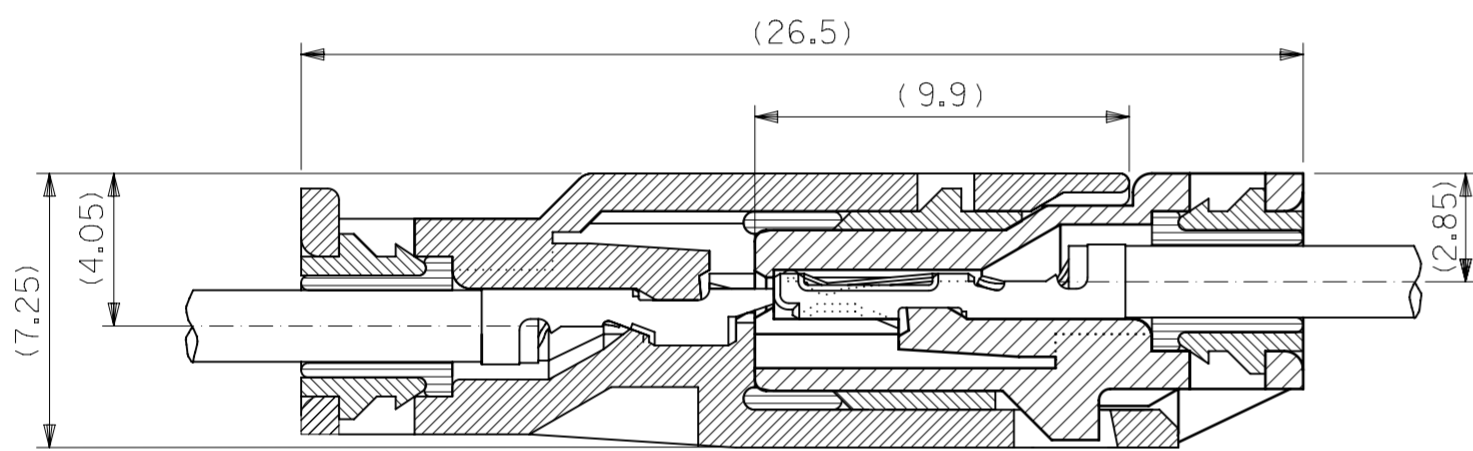
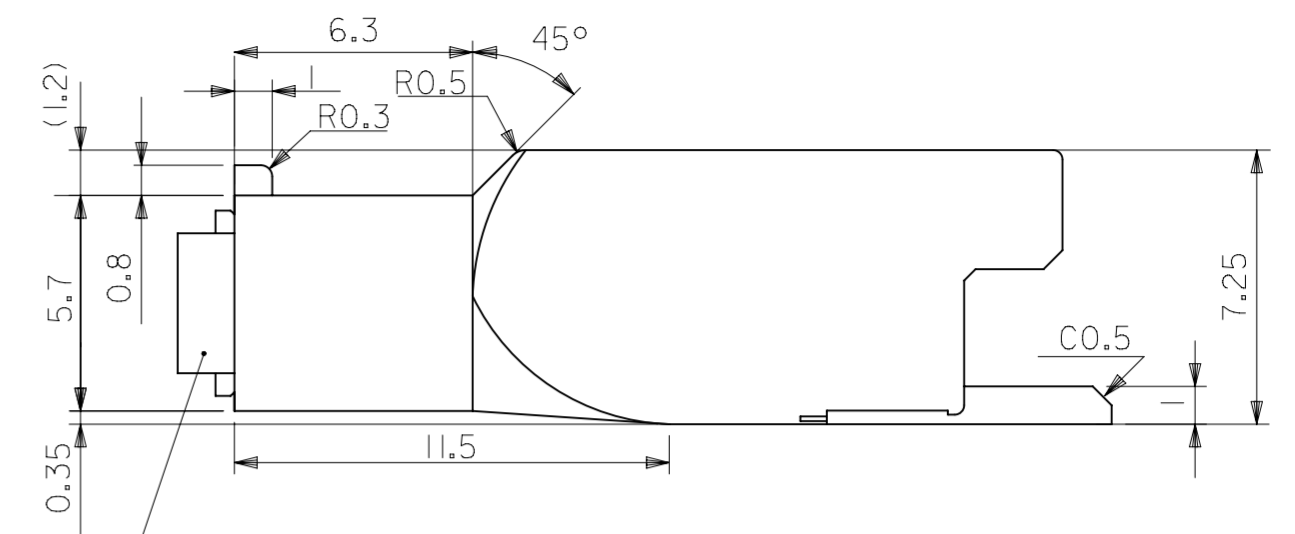


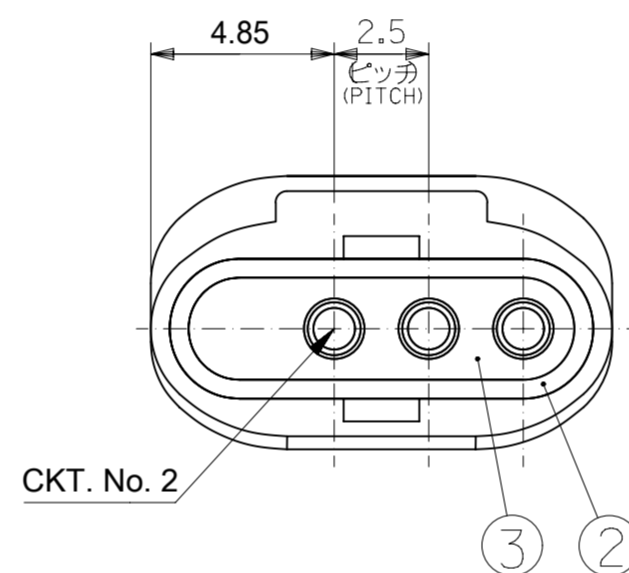
断面A-A (端子装着状態図)
SECT. A-A (TERM. ASSEMBLY DRAWING)



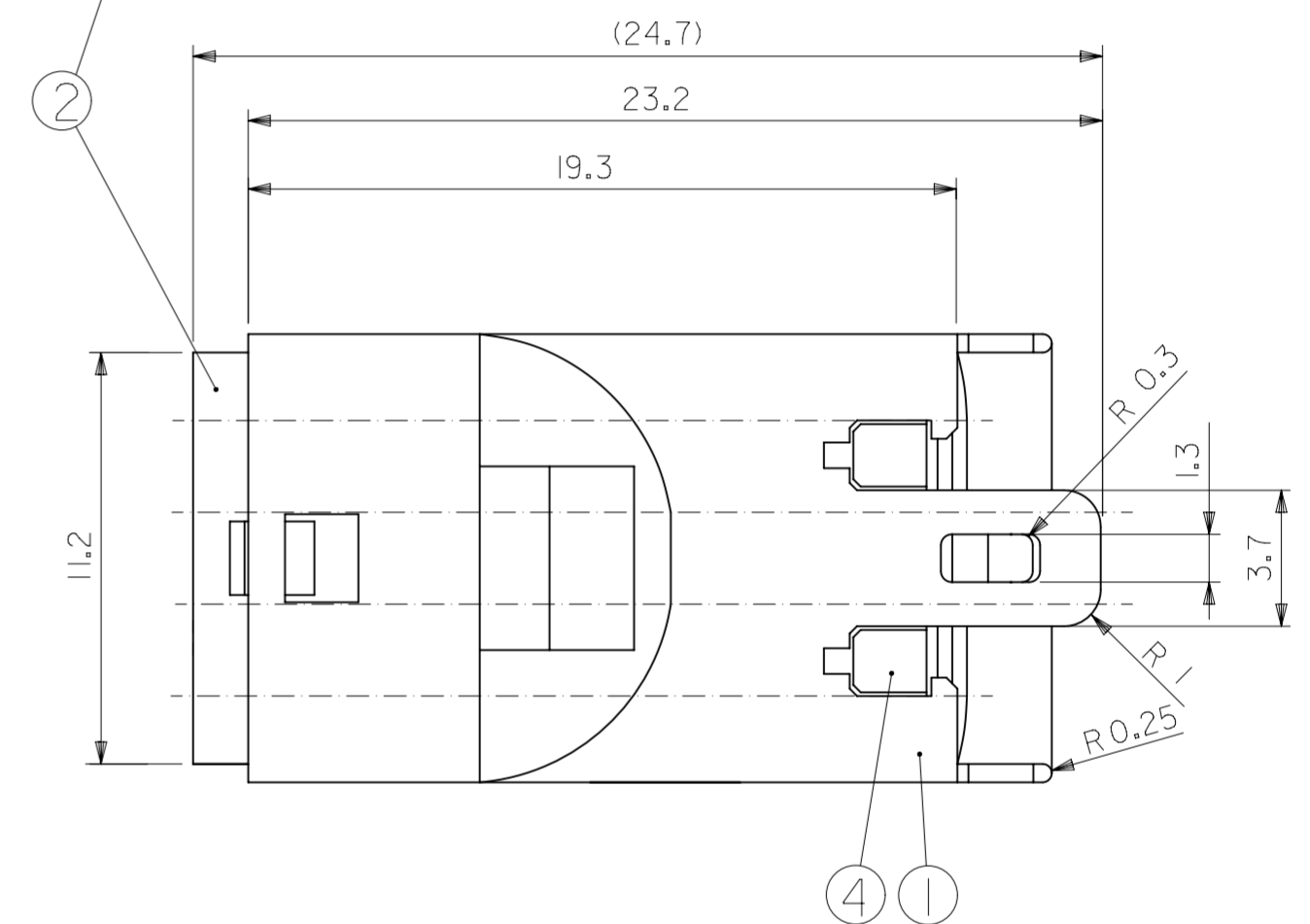
52266-041*



嵌合状態図
FULLY MATED CONDITION



52266-0311



注記
NOTE

- 適合端子 : 50147-8*00
APPLICABLE TERMINAL : 50147-8*00
- 嵌合相手 : 52213-***1*
MATES WITH : 52213-***1*
- 製品仕様書 : PS-52213-003
PRODUCT SPECIFICATION : PS-52213-003
- 取扱説明書 : AS-52213-001
APPLICATION SPECIFICATION : AS-52213-001

黒 BLACK	52266-0311	3
茶 BROWN	52266-0417	4
黒 BLACK	52266-0411	4
ハウジングの色 HSG COLOR	製品番号 MATERIAL NO.	極数 No. OF CKT.

材料 MATERIAL	色 COLOR	名称 TITLE	①
シリコンゴム SILICONE	青 BLUE	SEAL	⑤
ポリエステル (15%G.F.) POLYESTER (15%G.F.)	灰 GRAY	SEAL STOPPER	④
シリコンゴム SILICONE	青 BLUE	WIRE END SEAL	③
ポリエステル (15%G.F.) POLYESTER (15%G.F.)	灰 GRAY	CAP	②
ポリエステル (15%G.F.) POLYESTER (15%G.F.)	表参照 SEE CHART	PLUG HOUSING	①

構成部品
COMPONENTS

DOCUMENT STATUS	P1	RELEASE DATE	2018/12/06	01:38:38
-----------------	----	--------------	------------	----------

THIS DRAWING CONTAINS INFORMATION THAT IS PROPRIETARY TO MOLEX ELECTRONIC TECHNOLOGIES, LLC AND SHOULD NOT BE USED WITHOUT WRITTEN PERMISSION		CURRENT REV DESC:			
DIMENSION UNITS	SCALE	EC NO: 608579			
mm	5:1	DRWN: MSATO08 2018/12/04		2.5 MINI WATERPROOF CONN PLUG HSG ASSY (3 AND 4 CKT.)	
GENERAL TOLERANCES (UNLESS SPECIFIED)		CHK'D: HKOMATSU 2018/12/05			
10 UNDER	±0.2	APPR: TOSADA 2018/12/06		PRODUCT CUSTOMER DRAWING	
10 OVER 30 UNDER	±0.25	INITIAL REVISION:			
30 OVER	±0.3	DRWN: SINAOKA 2011/11/28		DOCUMENT NUMBER: SD-52266-002	
ANGULAR ±3°		APPR: MAYAMAMOTO 2014/12/02			
GENERAL TOLERANCES (UNLESS SPECIFIED)		THIRD ANGLE PROJECTION		DOC TYPE: PSD DOC PART: 001 REVISION: B4	
4 PLACES	± 3.0°	DRAWING			
3 PLACES	± 0.2	SERIES		MATERIAL NUMBER: SEE CHART CUSTOMER: GENERAL MARKET SHEET NUMBER: 1 OF 1	
2 PLACES	± 0.25	A2-SIZE			
1 PLACE	± 0.3	52266			
0 PLACES	±	DRAFT WHERE APPLICABLE MUST REMAIN WITHIN DIMENSIONS			