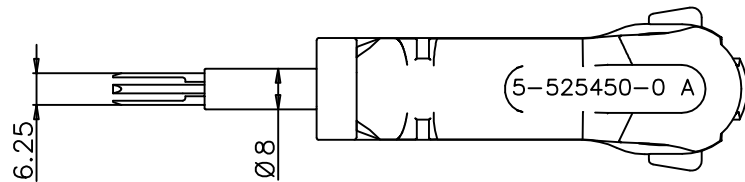
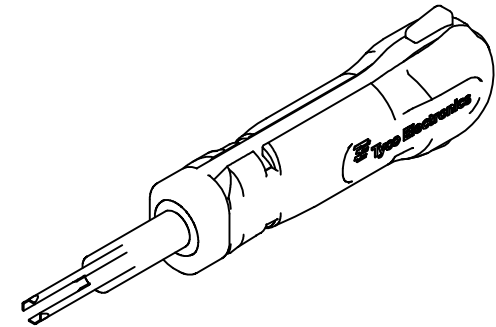
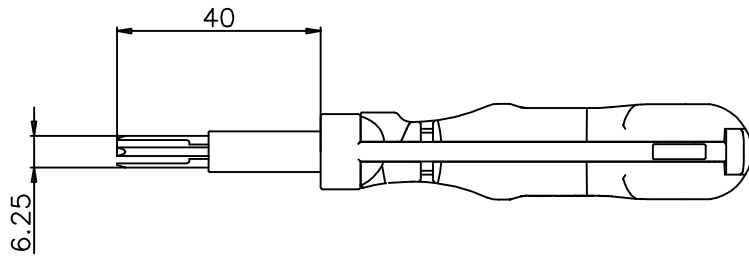
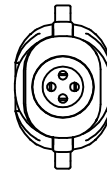
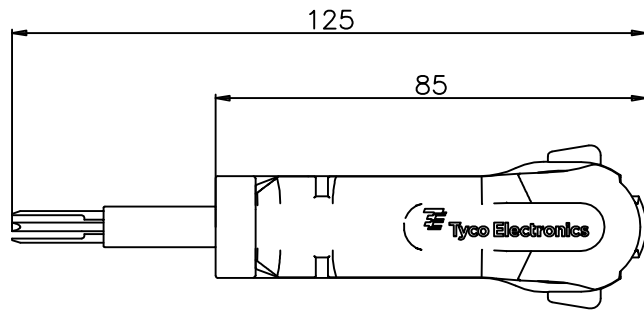




THIS DRAWING IS UNPUBLISHED. RELEASED FOR PUBLICATION
 © COPYRIGHT - BY TYCO ELECTRONICS CORPORATION. ALL INTERNATIONAL RIGHTS RESERVED.

LOC	DIST	REVISIONS					
		P	LTR	DESCRIPTION	DATE	DWN	APVD
-	-		A	INITIAL REVISION	01DEC09	LS	SA



THIS DRAWING IS A CONTROLLED DOCUMENT.		DWN L. Sandhu	01DEC09	 Tyco Electronics AMP GmbH 64625 Bensheim (Germany)
DIMENSIONS: mm		CHK S. Samstag	01DEC09	
TOLERANCES UNLESS OTHERWISE SPECIFIED:		APVD S. Samstag	01DEC09	NAME EXTRACTION TOOL Entriegelungswerkzeug
		PRODUCT SPEC	-	SIZE A3
MATERIAL		APPLICATION SPEC	-	CAGE CODE 00779
FINISH		WEIGHT	-	DRAWING NO 5-525450-0
CUSTOMER DRAWING				RESTRICTED TO -
SCALE 1:1			SHEET 1 of 1	REV A