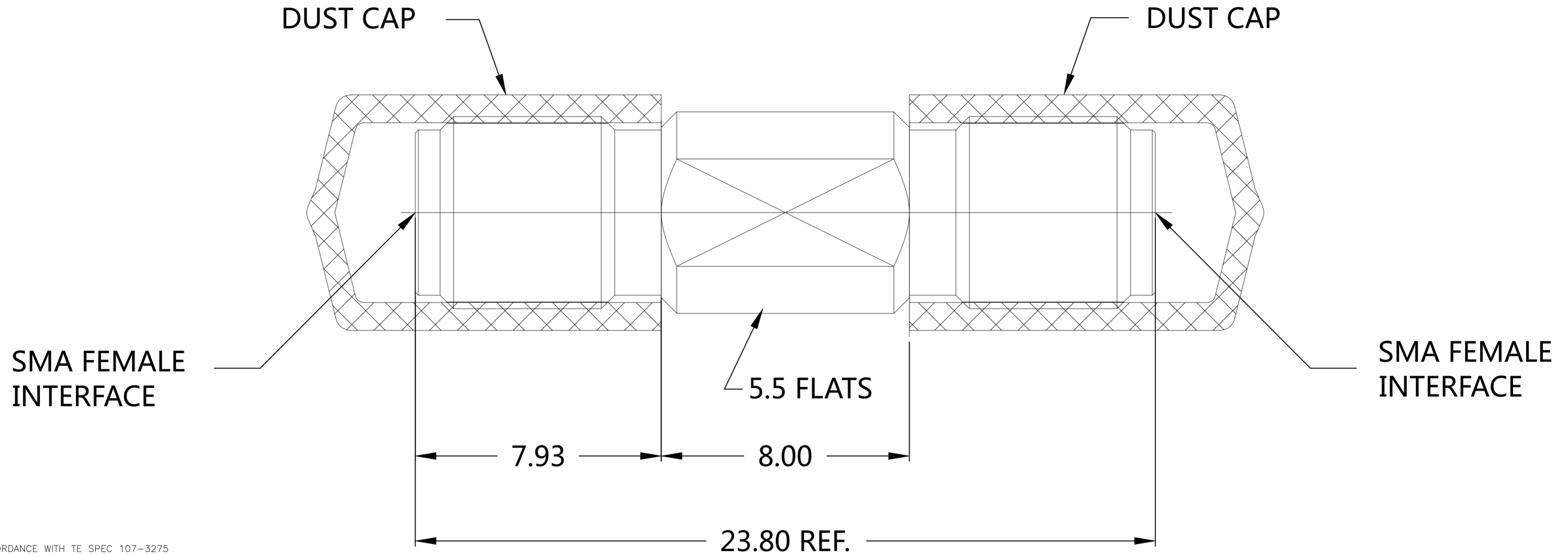


REVISIONS					
P	LTR	DESCRIPTION	DATE	DWN	APVD
A		REVISED PER ECN-21-101691	26MAR2021	ED	WH



**NOTES:**

- 1 PACK IN ACCORDANCE WITH TE SPEC 107-3275
- 2 ALL DIMENSIONS ARE NOMINAL FOR REFERENCE ONLY UNLESS OTHERWISE STATED
- 3 GOLD PLATING 0.762um MIN OVER NIKEL PLATING 1.27um MIN OVER COPPER PLATING 1.27um MIN

ELECTRICAL	MECHANICAL	ENVIRONMENTAL
Impedance (Ohm) _____50	Interface Dimension MIL-STD-348B Fig. _____310-2	TEMPERATURE RANGE _____ -65°C TO + 165°C
Frequency Range (GHz) _____DC to 27GHz	Recommended Coupling Torque _____7 to 10 In-Lbs	THERMAL SHOCK _____MIL-STD-202, METH.107, COND.B
Voltage Rating (Peak) _____@ Sea Level 335 V RMS	Force to Engage and Disengage (In/Lbs) _____2.0 MAX	CORROSION _____MIL-STD-202, METH.101, COND.B
Insulation Resistance (MIN.) _____5000 M ohms	Center Contact Captivation Axial (Lbs) _____6.0 Radial (In/Oz) _____N/A	VIBRATION _____MIL-STD-202, METH.204, COND.D
Contact Resistance (Milliohms MAX) Center Contact _____3.0 Outer Contact _____2.0	Cable Retention Axial (Lbs) _____N/A	SHOCK _____MIL-STD-202, METH.213, COND.I
Dielectric Withstand Voltage: _____750 V RMS Max	Mating cycles _____500 cycles	MOISTURE RESISTANCE _____MIL-STD-202, METH.106.
Insertion Loss : _____0.1*SQRT(F) dB		ROHS _____COMPLIANT
VSWR: _____1.20 MAX(DC-27GHz)		
RF leakage: _____N/A		
3rd Intermodulation: _____N/A		

QUANTITY	PER ASSY	PARTS LIST
2	/	PVC/SILICONE DUST CAP 4
1	/	PTFE INSULATOR 3
1	3	BeCu CENTER CONTACT 2
1		PASSIVATION STAINLESS STEEL BODY 1
2081889-1		PLATING MATERIAL DESCRIPTION ITEM

THIS DRAWING IS A CONTROLLED DOCUMENT.		DWN ED 29DEC2020		
DIMENSIONS: mm		CHK RZ 29DEC2020		
TOLERANCES UNLESS OTHERWISE SPECIFIED:		APVD WH 29DEC2020	NAME EP-SMA,ADAPTER,STRAIGHT,27GHz, FEMALE TO FEMALE	
0 PLC ± -		PRODUCT SPEC 108-160152	SIZE A2	
1 PLC ± 0.3		APPLICATION SPEC	CAGE CODE 00779	DRAWING NO C=2081889
2 PLC ± 0.2			RESTRICTED TO	
3 PLC ± 0.1				
4 PLC ± -				
ANGLES ± 5°				
FINISH		WEIGHT 4.1g	SCALE 10:1	SHEET 1 of 1
MATERIAL SEE TABLE		CUSTOMER DRAWING		REV A