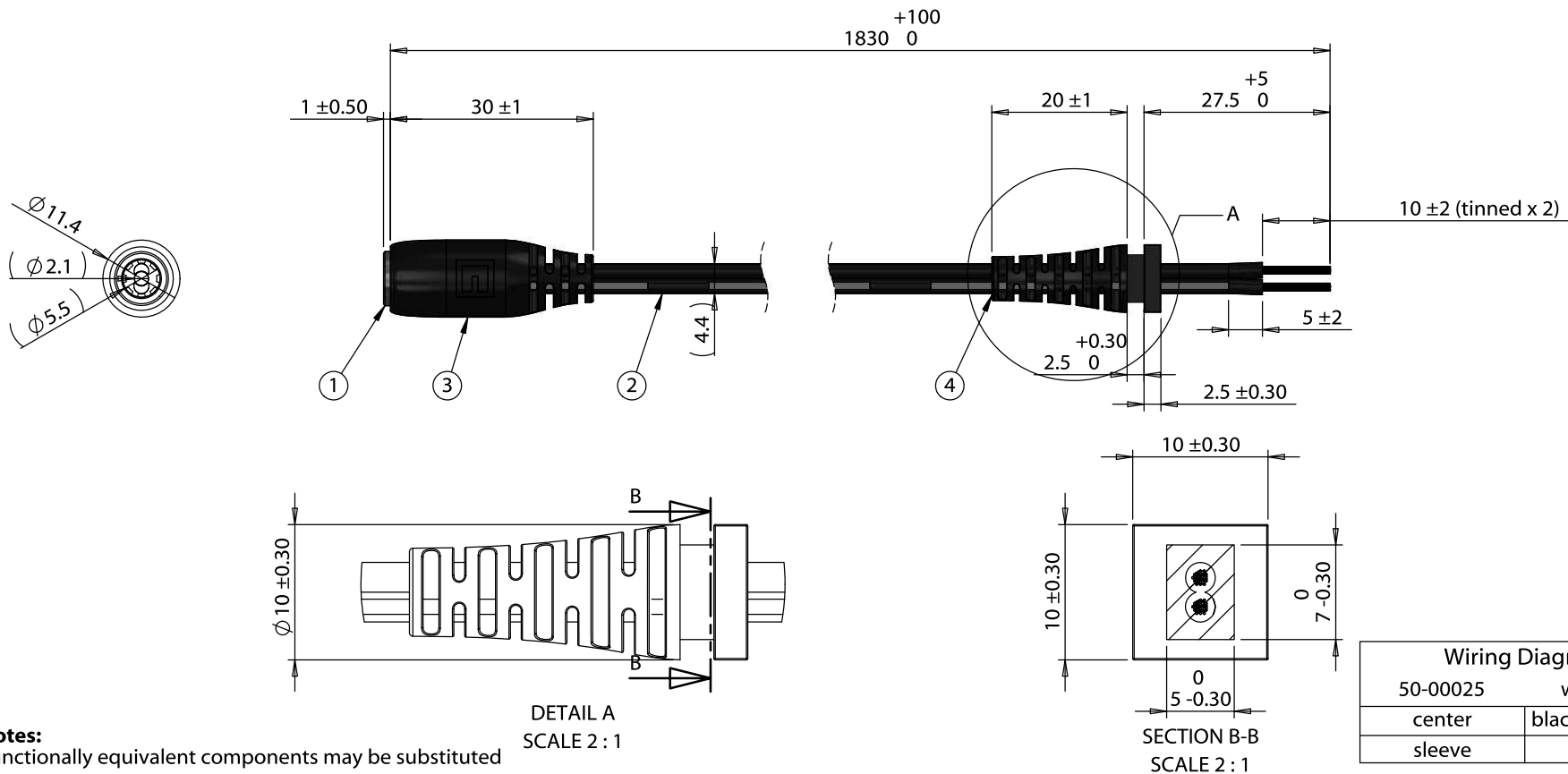


| ITEM NO. | PART NUMBER | DESCRIPTION | QTY. | COMPONENT NOTES |
|----------|-------------|--|------|-----------------|
| 1 | 50-00025 | Connector, dc jack, 5.5x2.1xL17.4 mm, molding style | 1 | |
| 2 | 30-00007 | Wire, 2C BC, 18 AWG, UL2468, 300V, 80C, 4.4 mm, VW-1, PVC, 87A | 1 | |
| 3 | 24-00004 | Overmold, PVC | 1 | black |
| 4 | 24-00251 | Overmold, strain relief, 7x5x2.5 mm bushing, 18 AWG, UL2468 wire | 1 | black |



Notes:
Functionally equivalent components may be substituted

DETAIL A
SCALE 2 : 1

SECTION B-B
SCALE 2 : 1

| | | | | | |
|-----------|------------|-----------------|--|--|---|
| Revision: | Date: | Description: | Prepared: | Notes: | <h1>TENSILITY</h1> tel 1.541.323.3228 800 877.670.7118 fax 1.541.323.4202 web tensility.com |
| A | 03/28/2018 | Initial release | PS <small>Digitally signed by PS Date: 2018.04.06 15:23:43 -07'00'</small> | | |
| | | | Verified: | Function test: no open, no short circuit, no intermittent | Size: A |
| | | | JP <small>Digitally signed by JP Date: 2018.04.09 15:12:30 -07'00'</small> | Description: | Part number: 10-02961 |
| | | | Dimensions are in millimeters. Tolerances: X: ± 0.5 mm X.X: ± 0.3 mm X.XX: ± 0.05 mm | Cable, 1830 mm, 5.5x2.1 mm 50-00025 dc jack to strain relief 10 mm tinned, 18 AWG, UL2468 wire | Scale: 1:1 |
| | | | | | Sheet 1 of 1 |

5

4

3

2

1