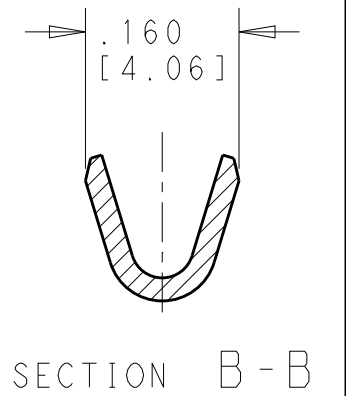
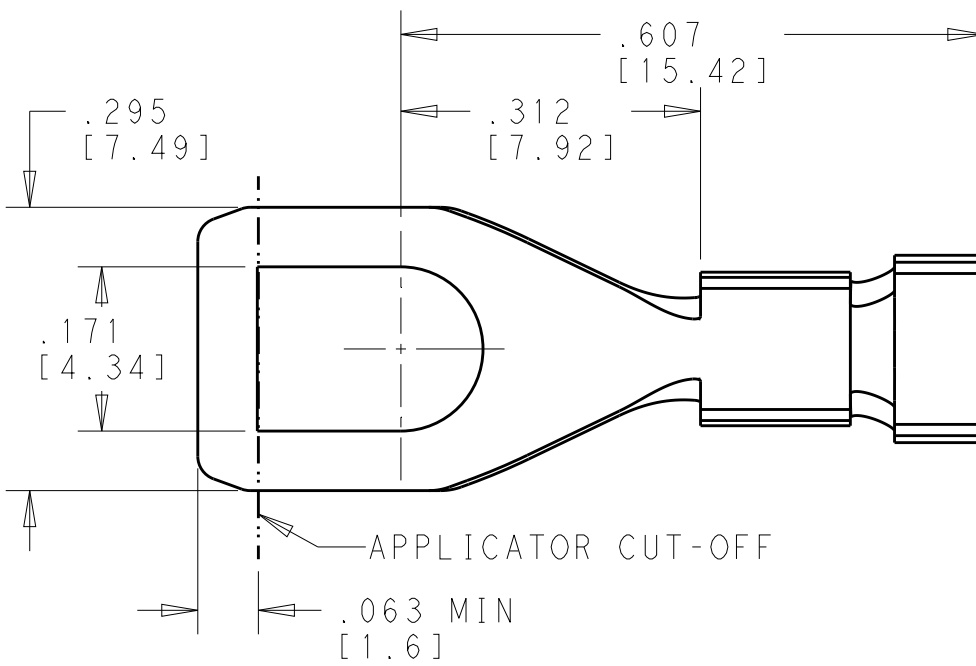
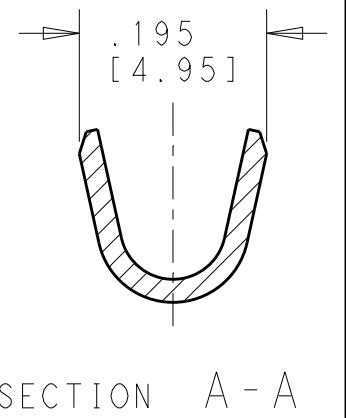
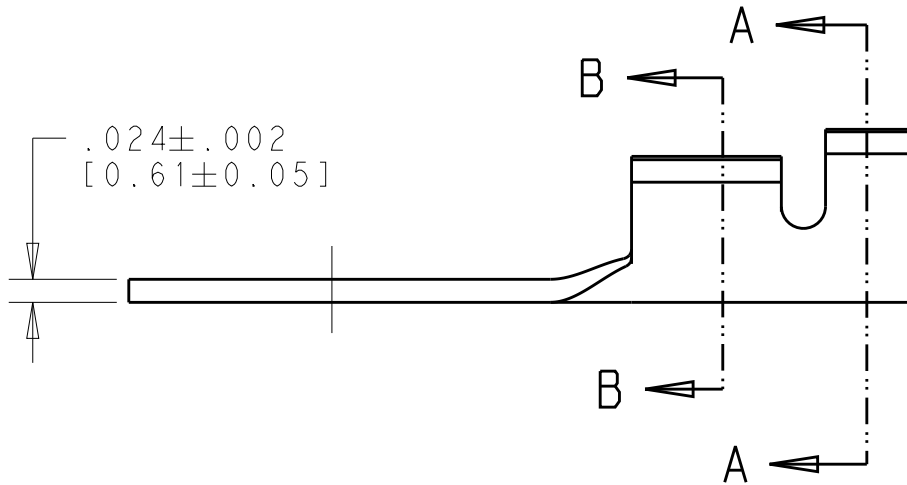


LOC	DIST	REVISIONS					
IR	-	P	LTR	DESCRIPTION	DATE	DWN	APVD
			C1	REDRAWN IN CAD	11MAY2011	PKS	RRP
			C2	REVISED PER ECR-20-012529	30SEPT2020	AA	LZ

WIRE RANGE	18-14 AWG
INSUL. RANGE	∅.098-∅.137



TIN PLATED	BRASS	140791-2
NONE	BRASS	140791-1
FINISH	MATERIAL	P/N

1973

RELEASED FOR PUBLICATION


ALL RIGHTS RESERVED.

1973

© COPYRIGHT 2011

DIMENSIONS:	
INCHES	
TOLERANCES UNLESS OTHERWISE SPECIFIED:	
0 PLC	±
1 PLC	±
2 PLC	±
3 PLC	±.010
4 PLC	±
ANGLES	±1°

DWN	09MAY2011
SENTHIL	
CHK	10MAY2011
M.GREENER	
APVD	12MAY2011
RAJENDRA	
PRODUCT SPEC	-
APPLICATION SPEC	-
WEIGHT	-
CUSTOMER DRAWING	

MATERIAL	SEE TABLE	FINISH	SEE TABLE
 TE Connectivity			
NAME			
WIRE TERMINAL			
SIZE	CAGE CODE	DRAWING NO	RESTRICTED TO
A4	00779	C-140791	
SCALE		SHEET	REV
5:1		1 OF 1	C2