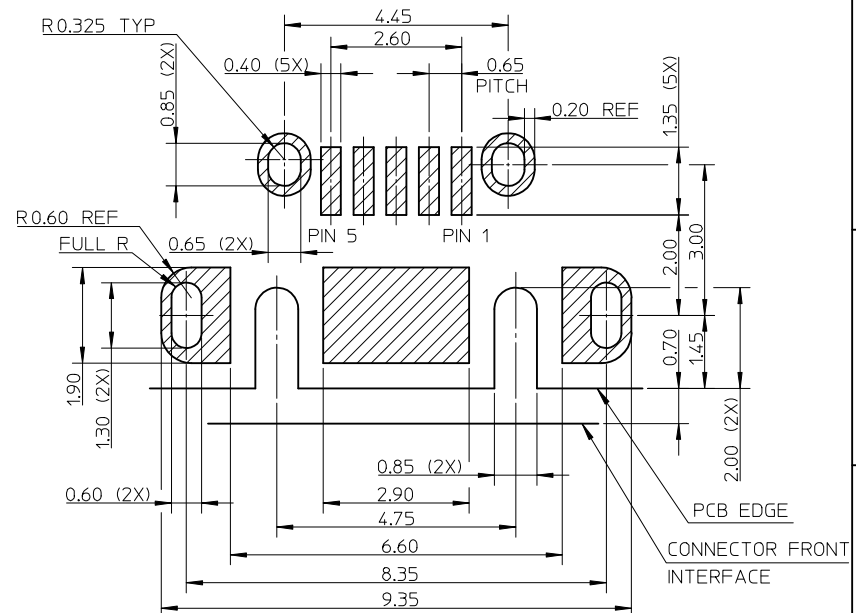
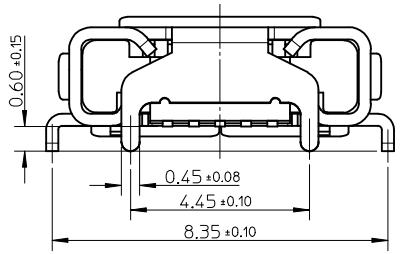
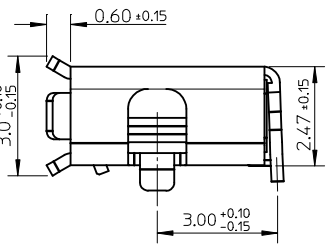
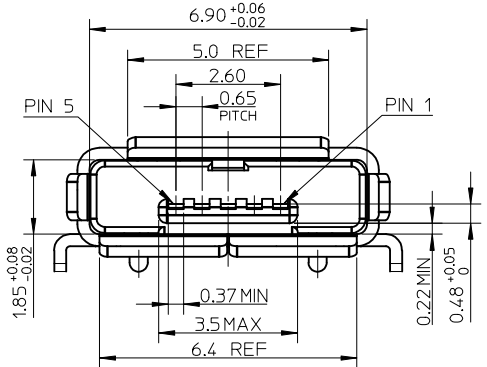
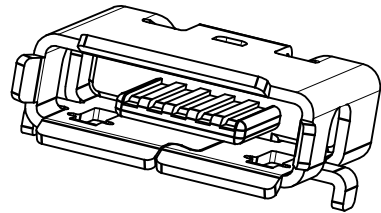
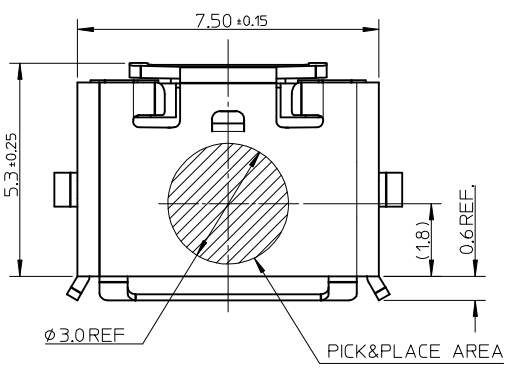


10 9 8 7 6 5 4 3 2 1

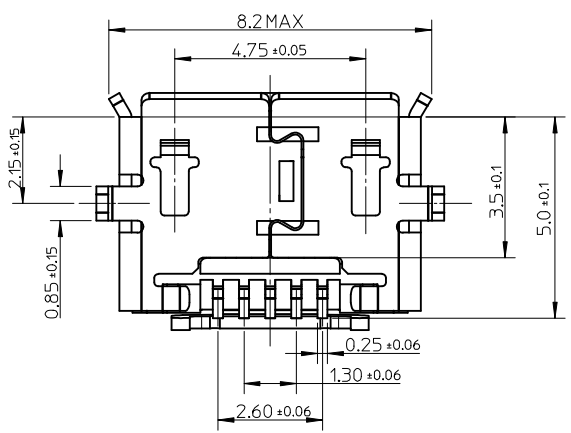


RECOMMENDED P.C.B. PATTERN LAYOUT  
GENERAL TOLERANCE: ±0.05

NOTES:

- MATERIAL:  
HOUSING: LCP, BLACK, UL94V-0;  
TERMINAL: COPPER ALLOY, THICKNESS: 0.15mm  
SHELL: STAINLESS STEEL, THICKNESS: 0.30mm
- PLATING:  
TERMINAL: CONTACT AREA: GOLD FLASH (0.11 MICRON MINIMUM) OVER MINIMUM 0.75 MICRON Pd/Ni.  
SOLDER TAIL AREA: GOLD FLASH (0.05 MICRON MINIMUM).  
UNDER PLATING: NICKEL 2.0 MICRON MINIMUM.  
SHELL: MATTE TIN 1.27 MICRON MINIMUM.  
UNDER PLATING: NICKEL 1.27 MICRON MINIMUM.
- TAIL COPLANARITY 0.08mm MAXIMUM.
- PRODUCT SPECIFICATION: PS-47589-001.
- PACKAGING SPECIFICATION: PK-47589-001.
- COMPLIANT TO RoHS DIRECTIVE 2002/95/EC AND ELV 2000/53/EC.

5	GND
4	ID
3	D+
2	D-
1	VBUS
PIN	NAME
PIN ASSIGNMENT	



REVISE PCB LAYOUT	QUALITY SYMBOLS
EC NO: SH2014-0449	▽/△=0
DRWN:XOZHANG 2014/04/24	▽/△=0
CHKD:XOZHANG 2014/04/24	▽/△=0
APPR:AYIN 2014/06/06	▽/△=0
REV	DESCRIPTION

GENERAL TOLERANCES (UNLESS SPECIFIED)	
mm	INCH
4 PLACES ± ---	± ---
3 PLACES ± ---	± ---
2 PLACES ± 0.15	± ---
1 PLACE ± 0.25	± ---
0 PLACE ±	±
ANGULAR ± 3°	
DRAFT WHERE APPLICABLE MUST REMAIN WITHIN DIMENSIONS	

DIMENSION STYLE	
MM ONLY	
DRAWN BY	DATE
XJSONG	2007/03/15
CHECKED BY	DATE
JTIAN	2007/03/15
APPROVED BY	DATE
JNCHEN	2007/03/15
MATERIAL NO.	DOCUMENT NO.
47590-0001	SD-47590-001
SIZE	
A3	

DESIGN UNITS  
METRIC

THIRD ANGLE PROJECTION

SALES DRAWING  
FOR USB, MICRO-AB  
TOP MOUNT TYPE

**molex**

SHEET NO.  
1 OF 1

THIS DRAWING CONTAINS INFORMATION THAT IS PROPRIETARY TO MOLEX INCORPORATED AND SHOULD NOT BE USED WITHOUT WRITTEN PERMISSION

9 8 7 6 5 4 3 2 1