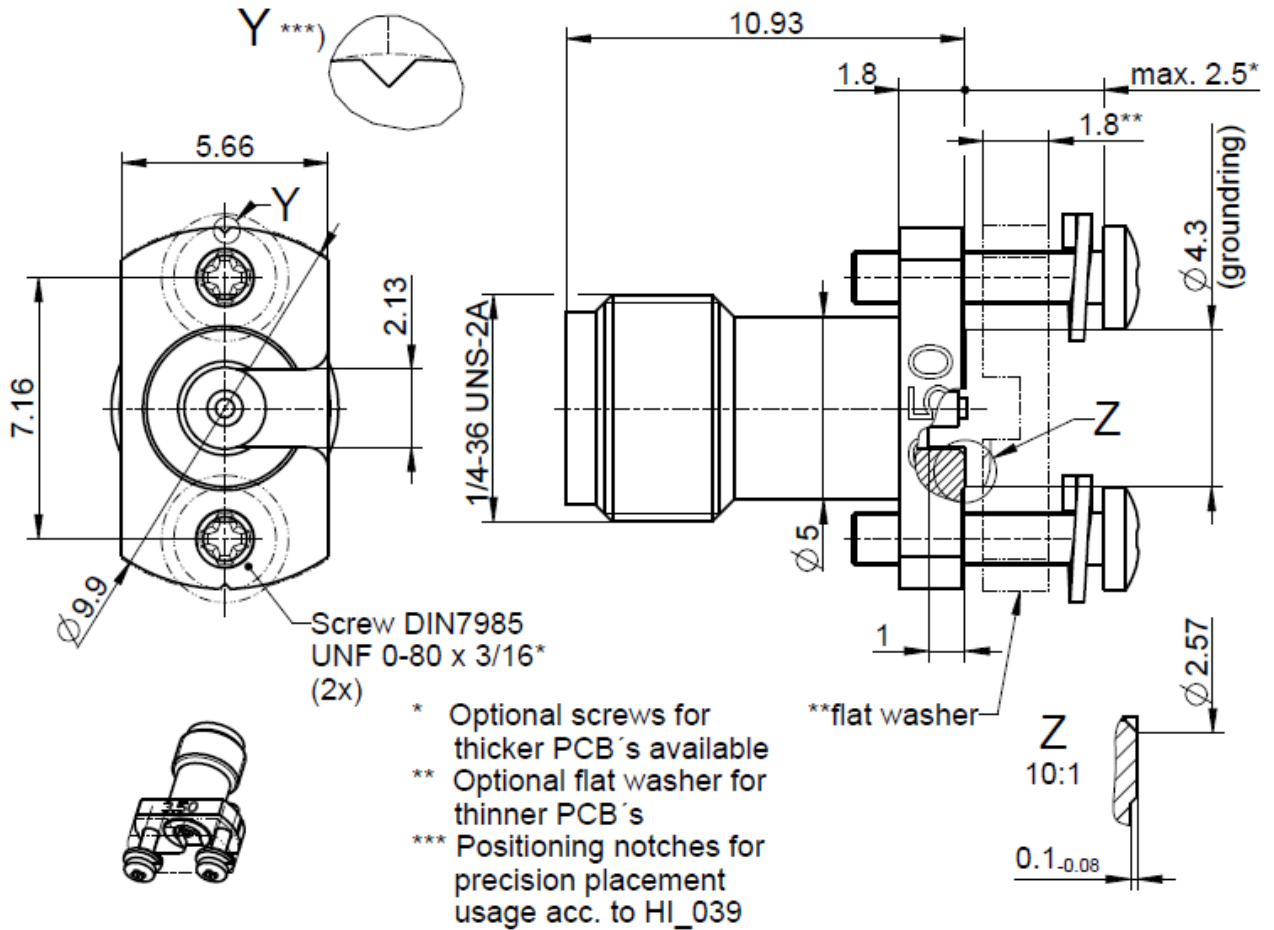


RPC-3.50
 Straight Jack PCB
 Economic Solderless
 Connector – for Microstrip

03K722-40MS3



All dimensions are in mm; tolerances according to ISO 2768 m-H

Interface

According to IEC 60169-23
 Mechanically compatible with RPC-2.92 and SMA

Documents

PCB layout B 594G
 Handling instruction HI 039

Material and plating

Connector parts

Center contact Material CuBe
 Outer contact Material Stainless steel
 Dielectric Material PTFE

Plating

Gold, min. 1.27 µm, over chemical nickel
 Passivated

Dieses Dokument ist urheberrechtlich geschützt • This document is protected by copyright • Rosenberger Hochfrequenztechnik GmbH & Co. KG

RF_35/05:10/6.1

Technical Data Sheet

Rosenberger

RPC-3.50
 Straight Jack PCB
 Economic Solderless
 Connector – for Microstrip

03K722-40MS3

Electrical data

Impedance 50 Ω
 Frequency DC to 26.5 GHz
 Return loss ≥ 21 dB, DC to 26.5 GHz
 Insertion loss ≤ 0.03 x √f(GHz) dB
 Insulation resistance ≥ 5 GΩ
 Test voltage 1000 V rms
 Working voltage 335 V rms
 RF-leakage ≥ 100 dB up to 1 GHz

- Return Loss in application depends decisive on PCB layout -

Mechanical data

Mating cycles Interface ≥ 500
 Mating cycles PCB side ≥ 300 typical (at 20°C, sea level, non-permanent duration)
 Mating force PCB side ≤ 20 N
 Center contact captivation ≥ 27 N
 Coupling test torque RPC-2.40 1.65 Nm
 Typically torque for the screws 0.15 Nm
 Recommended torque RPC-2.40 0.80 Nm to 1.10 Nm

Environmental data

Storage temperature range -40°C to +85°C
 Operating temperature range -0°C to +85°C
 Corrosion MIL-STD-202, Method 101, Condition B
 Vibration MIL-STD-202, Method 204, Condition D
 Shock MIL-STD-202, Method 213, Condition I
 Moisture resistance MIL-STD-202, Method 106
 RoHS compliant

Accessories

Available Screws DIN 7985-H-A2 UNF 0-80 (cylinder head screw) for different PCB lengths.
 3/16" length = Standard (already included with the connector) DIN7985-H-A2 UNF 0-80x3/16
 1/4" length = Optional (PCB thickness min. 1.2 mm to max. 4.2 mm) DIN7985-H-A2 UNF 0-80x1/4
 5/16" length = Optional (PCB thickness min. 2.8 mm to max. 5.7 mm) DIN7985-H-A2 UNF 0-80x5/16
 3/8" length = Optional (PCB thickness min. 4.4 mm to max. 7.4 mm) DIN7985-H-A2 UNF 0-80x3/8
 7/16" length = Optional (PCB thickness min. 6.0 mm to max. 8.9 mm) DIN7985-H-A2 UNF 0-80x7/16
 Flat Washer = Optional 08K723-40M/60L (recommended screw 1/4" for PCB size min. 0 mm to max. 2.4mm)

Tooling

N/A

Weight

2.1 g/pce

While the information has been carefully compiled to the best of our knowledge, nothing is intended as representation or warranty on our part and no statement herein shall be construed as recommendation to infringe existing patents. In the effort to improve our products, we reserve the right to make changes judged to be necessary.

For the installation of the electrotechnical equipment, particular electrotechnical expertise is required.



Dieses Dokument ist urheberrechtlich geschützt • This document is protected by copyright • Rosenberger Hochfrequenztechnik GmbH & Co. KG

RF_35/05:10/6:1

| Draft | Date | Approved | Date | Rev. | Engineering change number | Name | Date |
|--|----------|------------------|----------|------|---------------------------|--|---------------|
| Martin Moder | 05.10.18 | Herbert Babinger | 11.05.22 | e00 | 23-0653 | S. Barth | 11.05.23 |
| Rosenberger Hochfrequenztechnik GmbH & Co. KG P.O.Box 1260 D-84526 Tittmoning Germany www.rosenberger.de | | | | | | Tel. : +49 8684 18-0 Email : info@rosenberger.de | |
| | | | | | | | Page 2 / 2 |