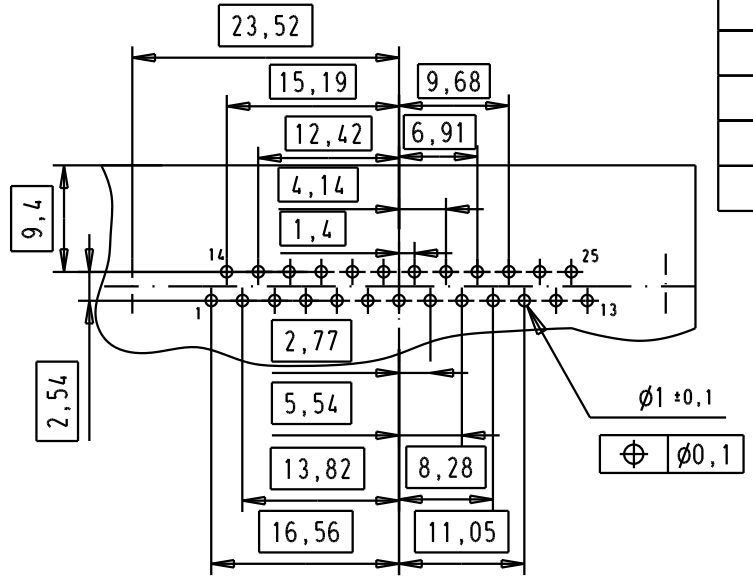
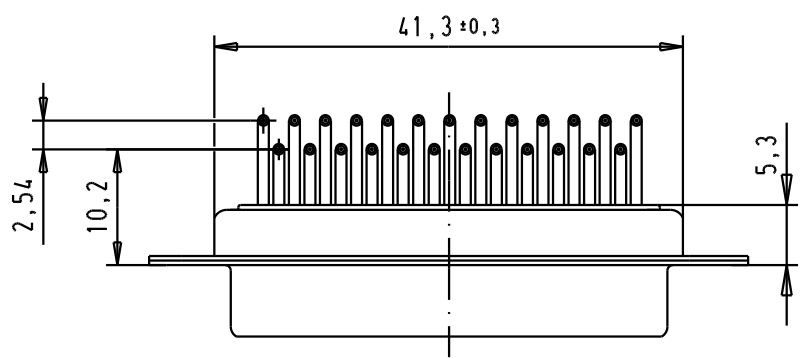


SPECIFICATION

Mating Cycles	500
Filter type	C
Capacitance	1000pf ± 20%
Working Voltage	100v
Current Rating	7.5A
Insulation Resistance	>1GΩ

FREQUENCY (MHz)	ATTENUATION dB
5	1dB
10	3dB
50	12dB
100	20dB
500	34dB
1000	30dB

PCB Layout, Component side



			Detail.	8-JUL-02	CV		
			Insp.				
			Stand.				
33416	19/01/06	JMDR	HARTING EURL F-95972 Paris				
31058	8-JUL-02	CV					
Mod.	Dat.	Name					

D-Sub, female, angled, 25 Poles, turned solder pin, tin plated shell and holes	Ma?Ms Lab/ Scale
	1.5:1
	TB 09643147230 Sub.
	Blat/ Page
	1 / 1

D
C
B
B
A