

GlobTek, Inc. www.globtek.com 186 Veterans Drive, Northvale, NJ 07647 Tel. (201) 784-1000 Fax (201) 784-0111	Drawing Title: USB C MALE 3.1 - USB Type-C plug connector with dual locking screws compliant with Directive (EU) 2022/2380 and 2014/53/EU Radio Equipment Directive (RED) to USB C MALE 3.0 10K Res - USB Type-C plug connector single locking screw Left Angle MOLD#USB00018-A compliant with Directive (EU) 2022/2380 and 2014/53/EU Radio Equipment Directive (RED), GT Cable #UL2725 WHITE (32AWG*1P+AM)*4+32AWG*2C+32AWG*3C+24AWG*2C+AB OD:5.0: SEE CODE / 9 Conductors, 5.0mm OD, UL 2725, 80 Deg.C, 30V, , Approvals: , 3000mm, GlobTek White	
	Model No. Low voltage cable	
	Part No./Ordering No. USBC2SW3MUSBC1SLEMWH	Rev A

CUSTOMIZED LENGTHS, COLORS, CABLE TYPES, TERMINATIONS/PLUGS/RECEPTACLES AVAILABLE UPON REQUEST. ADDITIONAL PLUG OPTIONS ARE AVAILABLE AT <https://www.globtek.com/connectors/> STANDARD PLUGS AND CONNECTORS CAN BE SEEN ONLINE AT <https://www.globtek.com/connectors/> ACTUAL CONNECTORS, OVERMOLDS, FERRITES MAY VARY SLIGHTLY FROM THE PICTURE BELOW DIMENSIONS ARE IN MM UNLESS SPECIFIED OTHERWISE

In Addition to GlobTek Inc.'s renewed ISO9001:2008 - Quality Management System Certification, GlobTek Inc. is now certified to:

ISO13485:2003 - Medical Devices Quality Management System Certification  
ISO14001:2004 - Environmental Management System Certification

ISO Certificates are available online at <https://www.globtek.com/iso-certificates/>  
Prop 65 Statement:<https://en.globtek.com/prop-65-statement.pdf>

The acceptance of this specification and use of the product described in this document indicates the acceptance and binding of the customer to Globtek TERMS AND CONDITIONS (attached to the end of this document), which supersede all other agreements, terms, and conditions (<https://en.globtek.com/terms-and-conditions/>).

The purchaser of this product (Customer) agrees that it is their sole responsibility to determine suitability/fitness of the product described in this specification for their application and to take precautions for protection against any hazards attendant to the handling and use of the product.

**Footnote:**

GlobTek Inc. will not be liable for the safety and performance of these power supplies if unauthorized access and repair occurs. End user should consult applicable UL, CSA or EN standards for proper installation instruction.

**Limitation of Use:**

GlobTek products are intended for use with commercial, medical, and/or industrial equipment only. GlobTek product are not authorized for use as mission critical components in life support hazardous environment, nuclear or aircraft applications without prior written approval from the CEO of GlobTek Inc.  
Contents of this document are subject to change without prior notice.

**Customer Approval of Specification:**

Please approve, sign and send back to GlobTek so we can complete order processing.  
A delay in receipt of this form will delay delivery schedule.

Company Name: _____	Customer P/N: _____
Quote Number: _____	Date: _____
Authorized Representative Name: _____	Authorized Representative Signature: _____

GlobTek, Inc. www.globtek.com 186 Veterans Drive, Northvale, NJ 07647 Tel. (201) 784-1000 Fax (201) 784-0111	Drawing Title: USB C MALE 3.1 - USB Type-C plug connector with dual locking screws compliant with Directive (EU) 2022/2380 and 2014/53/EU Radio Equipment Directive (RED) to USB C MALE 3.0 10K Res - USB Type-C plug connector single locking screw Left Angle MOLD#USB00018-A compliant with Directive (EU) 2022/2380 and 2014/53/EU Radio Equipment Directive (RED), GT Cable #UL2725 WHITE (32AWG*1P+AM)*4+32AWG*2C+32AWG*3C+24AWG*2C+AB OD:5.0: SEE CODE / 9 Conductors, 5.0mm OD, UL 2725, 80 Deg.C, 30V, , Approvals: , 3000mm, GlobTek White	
	Model No. Low voltage cable	
Part No./Ordering No. USBC2SW3MUSBC1SLEMWH		Rev A

CUSTOMIZED LENGTHS, COLORS, CABLE TYPES, TERMINATIONS/PLUGS/RECEPTACLES AVAILABLE UPON REQUEST. ADDITIONAL PLUG OPTIONS ARE AVAILABLE AT <https://www.globtek.com/connectors/> STANDARD PLUGS AND CONNECTORS CAN BE SEEN ONLINE AT <https://www.globtek.com/connectors/> ACTUAL CONNECTORS, OVERMOLDS, FERRITES MAY VARY SLIGHTLY FROM THE PICTURE BELOW DIMENSIONS ARE IN MM UNLESS SPECIFIED OTHERWISE

## REVISION HISTORY

REV	DESCRIPTION	SUB	DATE	APPROVED
A	Initial release	QA	11/07/2022	QA

Cordset Information:

CordsetColor:GlobTek White

Cord Length (mm):3000

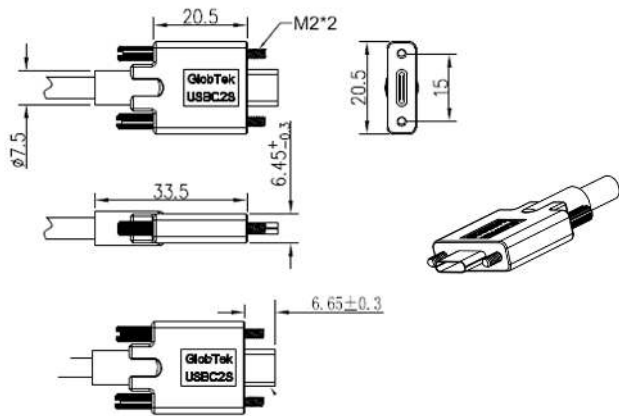
### NOTES:

Cord, Plug and Connector must be marked with approval symbols of file number(s)

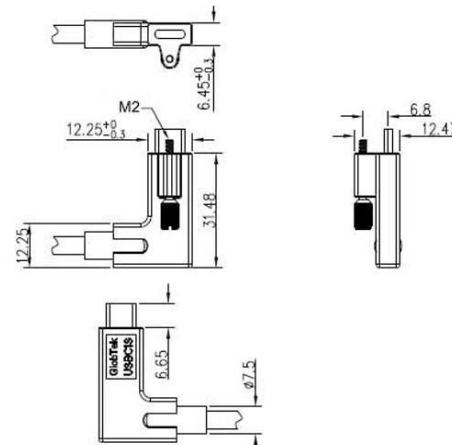
<p>GlobTek, Inc. www.globtek.com 186 Veterans Drive, Northvale, NJ 07647 Tel. (201) 784-1000 Fax (201) 784-0111</p>	<p>Drawing Title: USB C MALE 3.1 - USB Type-C plug connector with dual locking screws compliant with Directive (EU) 2022/2380 and 2014/53/EU Radio Equipment Directive (RED) to USB C MALE 3.0 10K Res - USB Type-C plug connector single locking screw Left Angle MOLD#USB00018-A compliant with Directive (EU) 2022/2380 and 2014/53/EU Radio Equipment Directive (RED), GT Cable #UL2725 WHITE (32AWG*1P+AM)*4+32AWG*2C+32AWG*3C+24AWG*2C+AB OD:5.0: SEE CODE / 9 Conductors, 5.0mm OD, UL 2725, 80 Deg.C, 30V, , Approvals: , 3000mm, GlobTek White</p> <p>Model No. Low voltage cable</p> <p>Part No./Ordering No. USBC2SW3MUSBC1SLEMWH</p> <p style="text-align: right;">Rev A</p>
---	--

CUSTOMIZED LENGTHS, COLORS, CABLE TYPES, TERMINATIONS/PLUGS/RECEPTACLES AVAILABLE UPON REQUEST. ADDITIONAL PLUG OPTIONS ARE AVAILABLE AT <https://www.globtek.com/connectors/> STANDARD PLUGS AND CONNECTORS CAN BE SEEN ONLINE AT <https://www.globtek.com/connectors/> ACTUAL CONNECTORS, OVERMOLDS, FERRITES MAY VARY SLIGHTLY FROM THE PICTURE BELOW DIMENSIONS ARE IN MM UNLESS SPECIFIED OTHERWISE

END A



END B



[Mates with GlobTek USB Type C cables with 2 screws.](#)

Note: This USB Type-C-to-Type-C cable should only be connected between a power source and sink (Load or user system) which are both fully compatible with the USB Type-C or USB Power Delivery (PD) specifications. Use of Type-A-to-Type-C "legacy" converters is not advised, as they may cause power negotiation errors.

When using a Type-C-to-Type-C cable, internal circuits in both the power source and sink (Load or user system) handle power negotiation. A cable with an integrated pull-up resistor is only necessary when adapting a "legacy" USB source to a Type-C compliant sink.

This cable includes a 10K pullup resistor between the 'CC' line and 'V<sub>BUS</sub>'. For systems compliant with the USB Type-C Cable and Connector Specification, the cable current will be restricted to 3.0A.

**WARNING:** The power supply's current rating **MUST** be  $\geq 3.0A$  to prevent permanent equipment damage and overheating which may result in fire.

GlobTek, Inc. <a href="http://www.globtek.com">www.globtek.com</a> 186 Veterans Drive, Northvale, NJ 07647 Tel. (201) 784-1000 Fax (201) 784-0111	Drawing Title: USB C MALE 3.1 - USB Type-C plug connector with dual locking screws compliant with Directive (EU) 2022/2380 and 2014/53/EU Radio Equipment Directive (RED) to USB C MALE 3.0 10K Res - USB Type-C plug connector single locking screw Left Angle MOLD#USB00018-A compliant with Directive (EU) 2022/2380 and 2014/53/EU Radio Equipment Directive (RED), GT Cable #UL2725 WHITE (32AWG*1P+AM)*4+32AWG*2C+32AWG*3C+24AWG*2C+AB OD:5.0: SEE CODE / 9 Conductors, 5.0mm OD, UL 2725, 80 Deg.C, 30V, , Approvals: , 3000mm, GlobTek White	
	Model No. Low voltage cable	Part No./Ordering No. USBC2SW3MUSBC1SLEMWH

CUSTOMIZED LENGTHS, COLORS, CABLE TYPES, TERMINATIONS/PLUGS/RECEPTACLES AVAILABLE UPON REQUEST. ADDITIONAL PLUG OPTIONS ARE AVAILABLE AT <https://www.globtek.com/connectors/> STANDARD PLUGS AND CONNECTORS CAN BE SEEN ONLINE AT <https://www.globtek.com/connectors/> ACTUAL CONNECTORS, OVERMOLDS, FERRITES MAY VARY SLIGHTLY FROM THE PICTURE BELOW DIMENSIONS ARE IN MM UNLESS SPECIFIED OTHERWISE

End A Code:USBCM3.1-Lock 2 screw Description:USB C MALE 3.1 - USB Type-C plug connector with dual locking screws compliant with Directive (EU) 2022/2380 and 2014/53/EU Radio Equipment Directive (RED) Rating (V):20 Rating (A):5.0 Gender:Male Overmolded:Yes	Cable Code:UL2725 WHITE Description:GT Cable #UL2725 WHITE (32AWG*1P+AM)*4+32AWG*2C+32AWG*3C+24AWG*2C+AB and 2014/53/EU Radio Equipment Directive (RED) OD:5.0: SEE CODE / 9 Conductors, 5.0mm OD, UL 2725, 80 Deg.C, 30V, , Approvals: Color:GlobTek White Wire Gauge(AWG):SEE CODE Cond:9 Type:UL 2725 Temperature:80° C Amps:5 Volts:30 OD:5.0 ConductorsColors:	End B Code:USBCM3.0-10K-1 Screw Left Angle Description:USB C MALE 3.0 10K Res - USB Type-C plug connector single locking screw Left Angle MOLD#USB00018-A compliant with Directive (EU) 2022/2380 and 2014/53/EU Radio Equipment Directive (RED) Rating (V):20 Rating (A):5.0 Gender:Male Overmolded:Yes
---	---	--

Overall cable rating:5A/20V

Plug Approvals	Cable Approvals	Connector Approvals
----------------	-----------------	---------------------



UL RECOGNIZED

AGENCY ONLINE DOCUMENTS	<a href="http://www.globtek.info/certs/USB%20cables/">http://www.globtek.info/certs/USB%20cables/</a>
RoHS/RoHS3 Declaration	<a href="https://www.globtek.com/pdf/rohs_cert/01t3a000005geGJAAY">https://www.globtek.com/pdf/rohs_cert/01t3a000005geGJAAY</a>
REACH Declaration	<a href="https://www.globtek.com/pdf/iso_certificates/REACH.pdf">https://www.globtek.com/pdf/iso_certificates/REACH.pdf</a>
Conflict Minerals Declaration	<a href="https://www.globtek.com/pdf/conflict-minerals.pdf">https://www.globtek.com/pdf/conflict-minerals.pdf</a>
Prop 65 Statement	<a href="https://en.globtek.com/prop-65-statement.pdf">https://en.globtek.com/prop-65-statement.pdf</a>
CE.UKCA.Cord	<a href="https://globtek.secure.force.com/spec/ec_decl_product_model_family_incl_cord?id=01t3a000005geGJ">https://globtek.secure.force.com/spec/ec_decl_product_model_family_incl_cord?id=01t3a000005geGJ</a>

IPXY rating is based on 3rd party testing and customers should check suitability and test system level IPXY rating before ordering.

PROPRIETARY INFORMATION

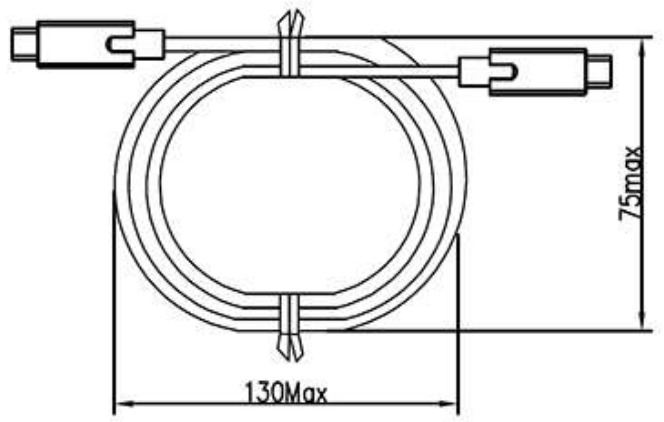
PROPRIETARY OF GLOBTEK, INC. ANY REPRODUCTION, DISCLOSURE OR USE OF THIS DRAWING, IN WHOLE OR IN PART, IS HEREBY PROHIBITED EXCEPT AS SPECIFIED IN WRITING BY GLOBTEK, INC. © GlobTek, Inc. 2022 - 2023

quest /10/10/2023 7:06:43 AM CLONED FROM USBC2SW3MUSBC2SLEMWH

GlobTek, Inc. www.globtek.com 186 Veterans Drive, Northvale, NJ 07647 Tel. (201) 784-1000 Fax (201) 784-0111	Drawing Title: USB C MALE 3.1 - USB Type-C plug connector with dual locking screws compliant with Directive (EU) 2022/2380 and 2014/53/EU Radio Equipment Directive (RED) to USB C MALE 3.0 10K Res - USB Type-C plug connector single locking screw Left Angle MOLD#USB00018-A compliant with Directive (EU) 2022/2380 and 2014/53/EU Radio Equipment Directive (RED), GT Cable #UL2725 WHITE (32AWG*1P+AM)*4+32AWG*2C+32AWG*3C+24AWG*2C+AB OD:5.0: SEE CODE / 9 Conductors, 5.0mm OD, UL 2725, 80 Deg.C, 30V, , Approvals: , 3000mm, GlobTek White	
	Model No. Low voltage cable	Part No./Ordering No. USBC2SW3MUSBC1SLEMWH
		Rev A

CUSTOMIZED LENGTHS, COLORS, CABLE TYPES, TERMINATIONS/PLUGS/RECEPTACLES AVAILABLE UPON REQUEST. ADDITIONAL PLUG OPTIONS ARE AVAILABLE AT <https://www.globtek.com/connectors/> STANDARD PLUGS AND CONNECTORS CAN BE SEEN ONLINE AT <https://www.globtek.com/connectors/> ACTUAL CONNECTORS, OVERMOLDS, FERRITES MAY VARY SLIGHTLY FROM THE PICTURE BELOW DIMENSIONS ARE IN MM UNLESS SPECIFIED OTHERWISE

Hanking: 130 COIL USBC  
 Description: 130.0 MAX  
 Image:



GlobTek, Inc. www.globtek.com 186 Veterans Drive, Northvale, NJ 07647 Tel. (201) 784-1000 Fax (201) 784-0111	Drawing Title: USB C MALE 3.1 - USB Type-C plug connector with dual locking screws compliant with Directive (EU) 2022/2380 and 2014/53/EU Radio Equipment Directive (RED) to USB C MALE 3.0 10K Res - USB Type-C plug connector single locking screw Left Angle MOLD#USB00018-A compliant with Directive (EU) 2022/2380 and 2014/53/EU Radio Equipment Directive (RED), GT Cable #UL2725 WHITE (32AWG*1P+AM)*4+32AWG*2C+32AWG*3C+24AWG*2C+AB OD:5.0: SEE CODE / 9 Conductors, 5.0mm OD, UL 2725, 80 Deg.C, 30V, , Approvals: , 3000mm, GlobTek White	
	Model No. Low voltage cable	Part No./Ordering No. USBC2SW3MUSBC1SLEMWH
		Rev A

CUSTOMIZED LENGTHS, COLORS, CABLE TYPES, TERMINATIONS/PLUGS/RECEPTACLES AVAILABLE UPON REQUEST. ADDITIONAL PLUG OPTIONS ARE AVAILABLE AT <https://www.globtek.com/connectors/> STANDARD PLUGS AND CONNECTORS CAN BE SEEN ONLINE AT <https://www.globtek.com/connectors/> ACTUAL CONNECTORS, OVERMOLDS, FERRITES MAY VARY SLIGHTLY FROM THE PICTURE BELOW DIMENSIONS ARE IN MM UNLESS SPECIFIED OTHERWISE

Notes/Modifications/Customizations (notes in this section supersede the values shown in the standard spec):

If system load requirement exceeds 2A, VBUS may drop by 5% or more. The VBUS undervoltage detection threshold may need to be increased to accommodate cable voltage drop. Please check your controller's default setting and adjust accordingly.

