

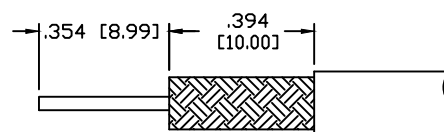
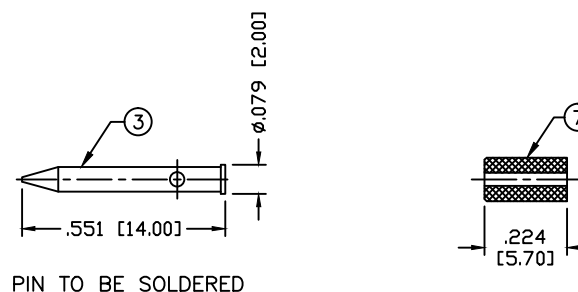
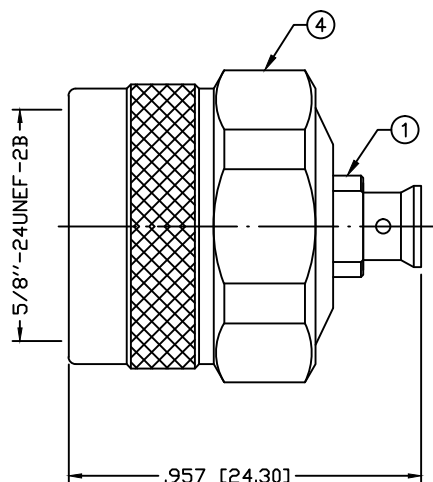
PART NO.

**RFN-1002-SR2FL**

REV	DESCRIPTION	DWN	DATE	APPROVED
-	ENGINEERING RELEASE	CZS	08/18/14	JDMc
A	CHANGE PIN DESIGN AND DIMENSIONS THROUGHTOUT.	CZS	04/25/16	JDMc

## ASSEMBLY INSTRUCTIONS:

- Step 1: Cut end of cable evenly. Strip cable to dimensions as shown. All cuts are to be clean and square. Do not nick center conductor when cutting. If using heat shrink tubing slide onto cable first.
- Step 2: Slide spacer and pin onto cable center conductor until it yields against the cable dielectric. Solder pin in place.
- Step 4: Insert the pin into the body until it yields against the back of the connector. Solder connector and cable outer conductor in place.



RECOMMENDED STRIPPING DIMENSIONS

## SPECIFICATIONS:

IMPEDANCE: 50 Ohms  
 FREQUENCY RANGE: 0-3 GHz  
 VSWR: <1.1:1 @ DC 3 GHz  
 INSERTION LOSS: -0.01dB @  $\sqrt{\text{GHz}}$   
 TEMPERATURE RANGE: -55°C TO 150°C  
 IM 3rd ORDER: -160 dBc @ 1900 MHz  
 FOR TFT-402

#	DESCRIPTION	QTY	MATERIAL	FINISH
7	SPACER	1	PTFE	WHITE BRONZE
6	RETAINIG RING	1	BeCu	WHITE BRONZE
5	GASKET	1	RUBBER	---
4	SHELL	1	BRASS	WHITE BRONZE
3	PIN	1	BRASS	SILVER
2	INSULATOR	1	PTFE	---
1	BODY	1	BRASS	WHITE BRONZE

CUSTOMER  
OUTLINE DRAWINGALL DIMENSIONS  
ARE REFERENCE ONLYUNLESS OTHERWISE SPECIFIED:  
DIMENSIONS ARE IN INCHES  
AND [MILLIMETERS]

DRAWN	C. ZUNIGA	04/25/16
CHECKED		
ORJ DRAWN	C. ZUNIGA	04/25/16

**RoHS  
COMPLIANT**

PROPRIETARY AND CONFIDENTIAL  
 THIS DRAWING CONTAINS  
 INFORMATION PROPRIETARY TO  
 RF INDUSTRIES. ANY  
 UNAUTHORIZED USE OF THIS  
 DRAWING IS EXPRESSLY  
 PROHIBITED WITHOUT WRITTEN  
 PERMISSION FROM RF  
 INDUSTRIES. ANY VIOLATION IS  
 PUNISHABLE UNDER U.S.  
 COPYRIGHT LAWS.

**RFconnectors**

7610 MIRAMAR RD.  
 SAN DIEGO, CA 92126  
 (858) 549-6340  
 DIVISION OF RF INDUSTRIES, LTD. (858) 549-6345 FAX

**N PLUG, SOLDER  
FOR TFT-402**

SIZE	CABLE GROUP	DWG NO.	REV
A	N/A	<b>RFN-1002-SR2FL</b>	A
SCALE:	ENGINEERING ID:	SHEET 1 OF 1	
NTS	001787		