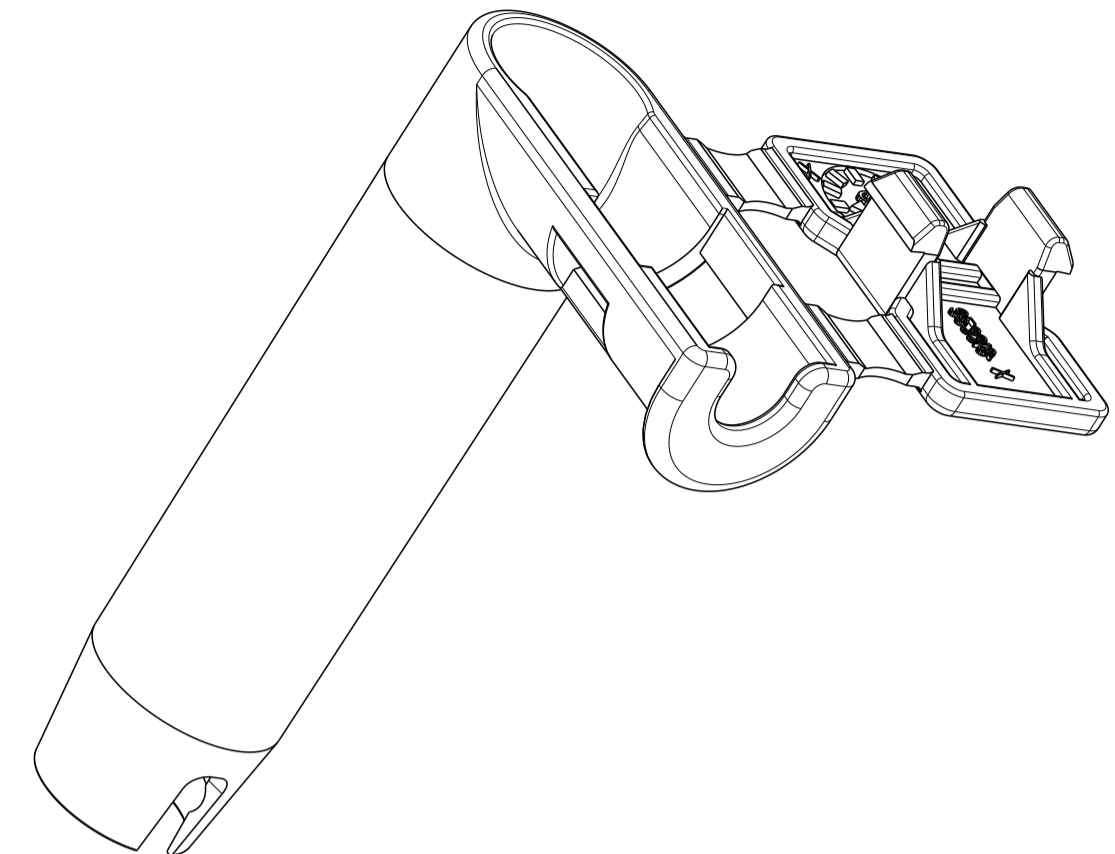
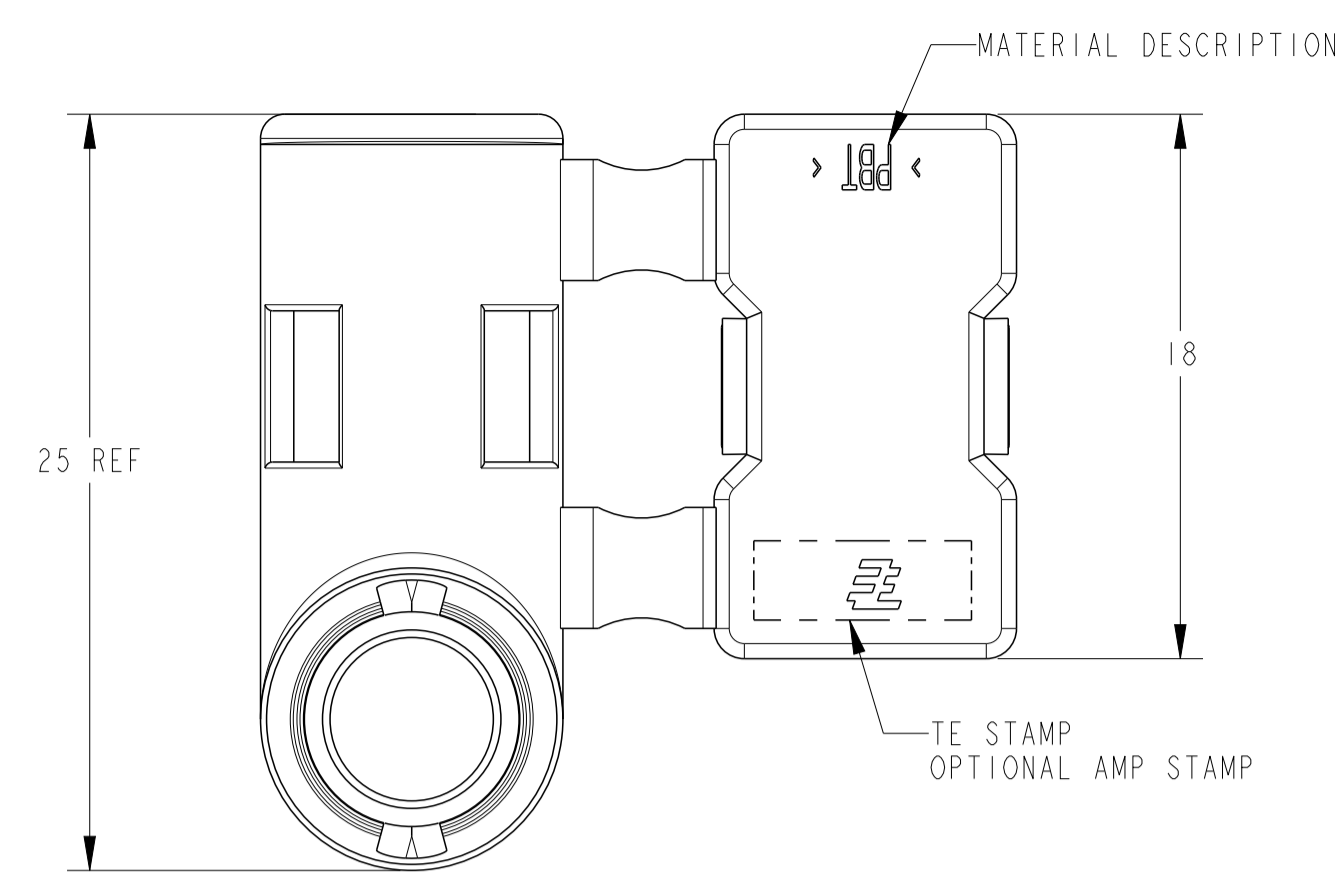
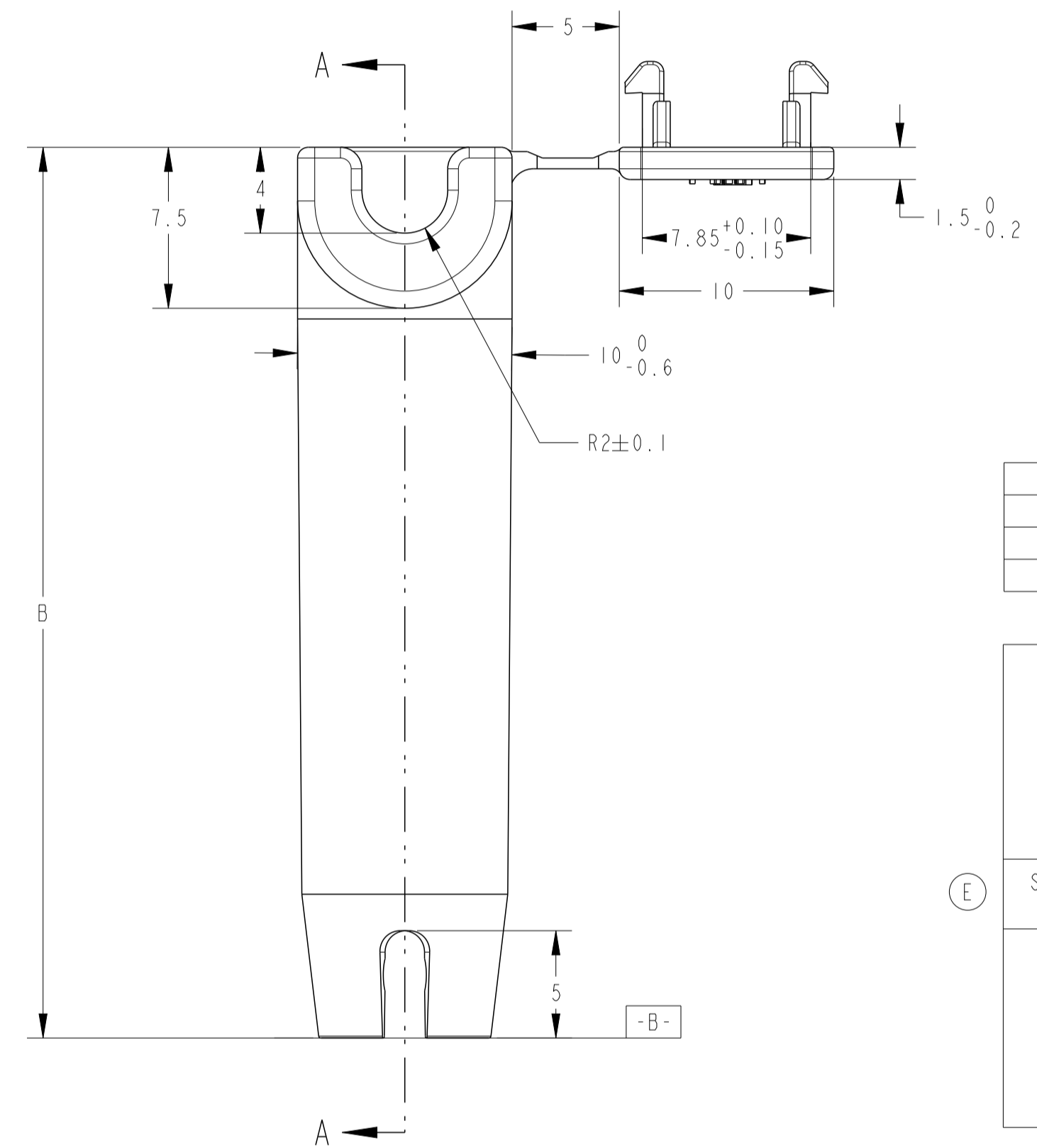
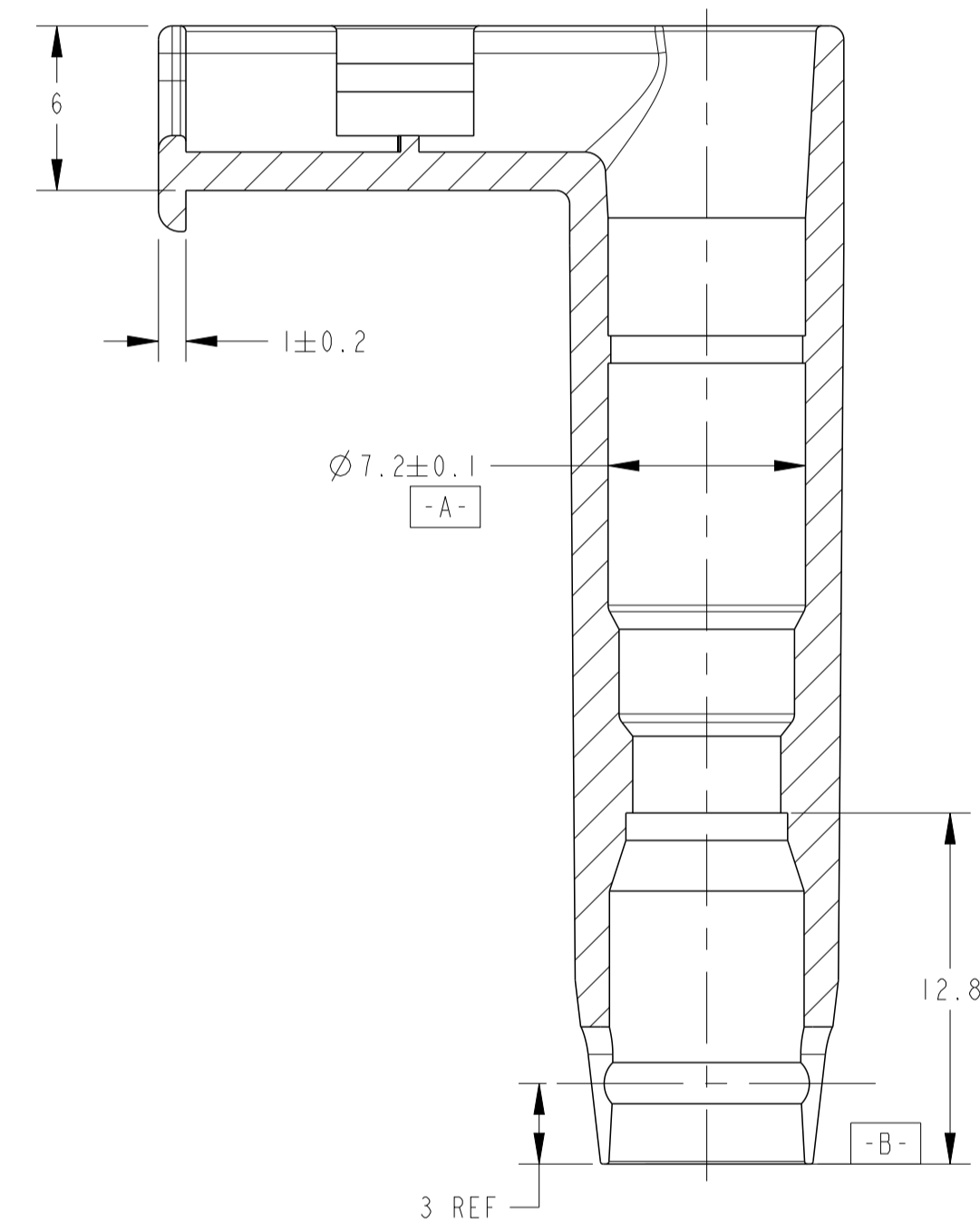


REVISIONS						
P	LTN	REV	DESCRIPTION	DATE	DWN	APPV
B			HINGE MODIFICATION	24JUN2005	AR	JPP
C			DIMENSION MODIFICATION C4, NOTE TYCO STAMP	12SEP2005	RC	OD
D			DIM B TOLERANCE MODIFICATION	08SEP2017	ASB	SA
E			ADDED PN 1-953318-2, CHANGED TOOL PN	19SEP2018	GP	XR



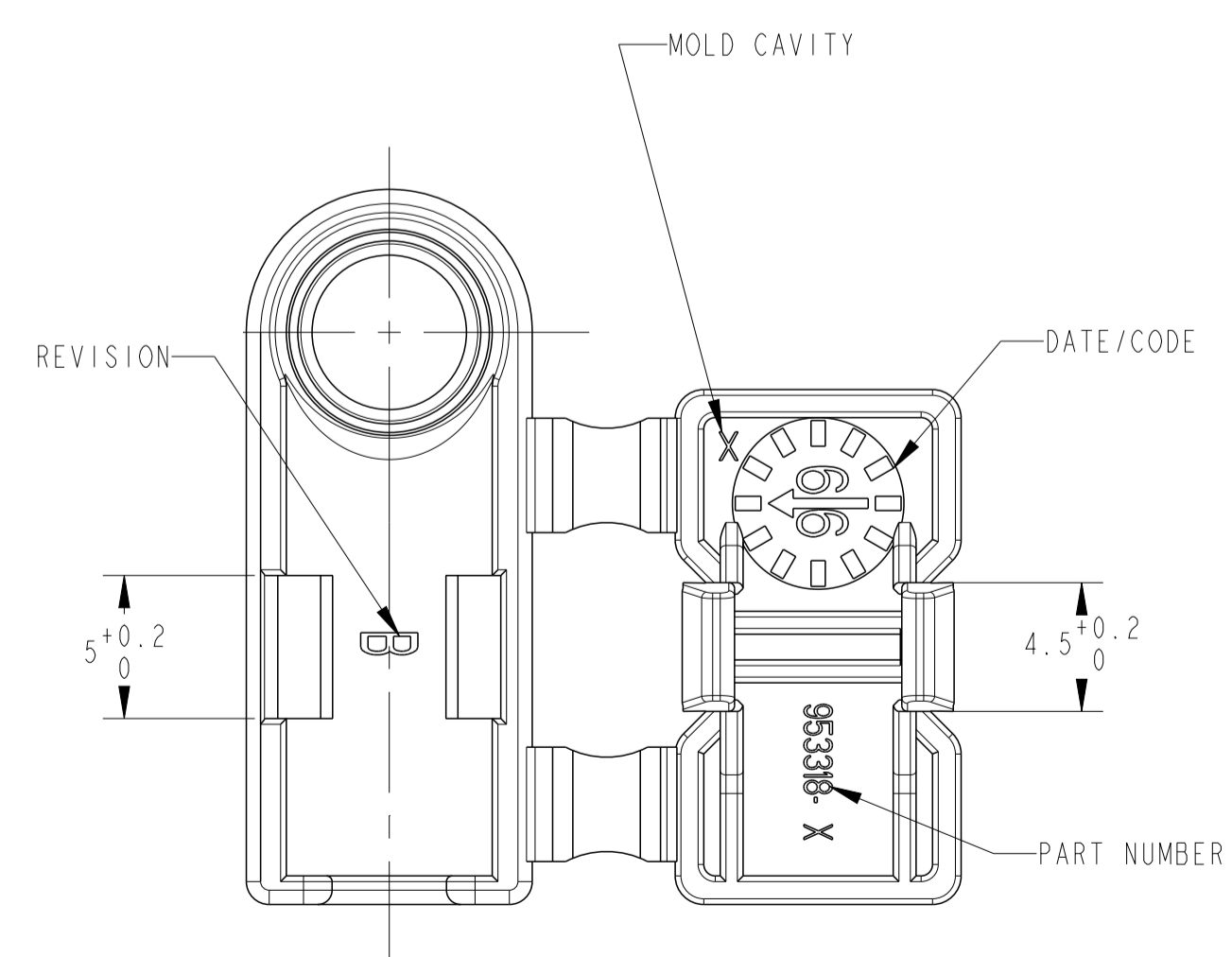
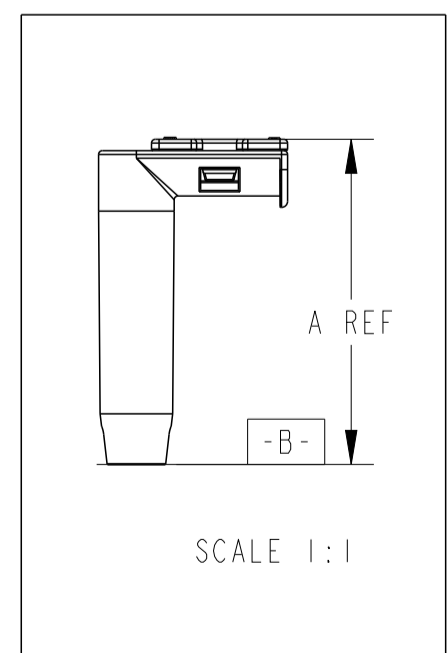
SACLE 3:1

COUPE A-A



EXTRACTION TOOL	
DESCRIPTION	PART NUMBER
EXTRACTION TOOL	2-1579007-0
SPARE BLADE	4-1579007-0

	ASSOCIATED COMPONENTS							
	PART NUMBER		DESCRIPTION					
	963244-1							
	963245-1							
	962956-1		SOCKET CONTACT Ø 4mm					
(E) Same as 953318-2 with special packaging	1-953318-2	D	BLACK	PBT	HOUSING	0.003 Kg	61	59.5±0.15
	953318-2	D	BLACK	PBT	HOUSING	0.003 Kg	61	59.5±0.15
	953318-1	D	BLACK	PBT	HOUSING	0.0025 Kg	43	41.5 +0.3/-0.2
	PART NUMBER	PART REVISION CODE	COLOUR	MATERIAL	DESCRIPTION	WEIGHT	DIM A	DIM B



THIS DRAWING IS A CONTROLLED DOCUMENT. CE PLAN EST UN DOCUMENT CONTROLLE PAR AMP INCORPORATED. IL EST DISPOSE D'UN SEUL EXEMPLAIRE. TOUS DROITS RESERVES.

TOE FRANCES, UNLESS OTHERWISE SPECIFIED TOLERANCES: NON SPECIFIEES (DIMENSIONS IN mm)

UNLESS FINISH FINITION SEE TABLE

APPROVED BY: S. RONOT, J.P. PICAUD, J. DE VILL

DATE: 05FEB99

PRODUCT SPEC: 108-15194

APPLICATION SPEC: 411-15605

WEIGHT: SEE TABLE

CUSTOMER DRAWING

TE Connectivity

NAME: 1 WAY GLOW PLUG CONNECTOR

SIZE: A1

CAGE CODE: 00779

DRAWING NO: 953318

SCALE: 4:1

SHEET: 1 OF 1

REV: E