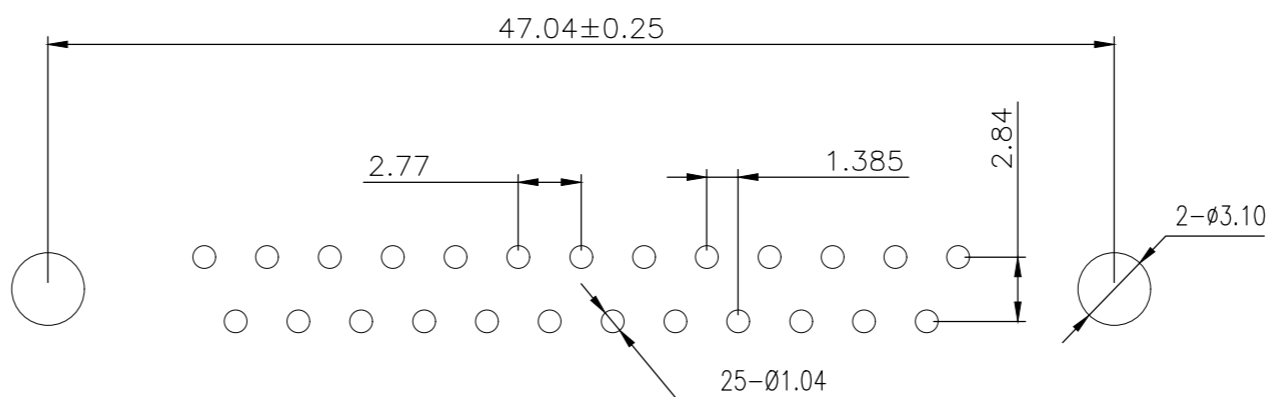
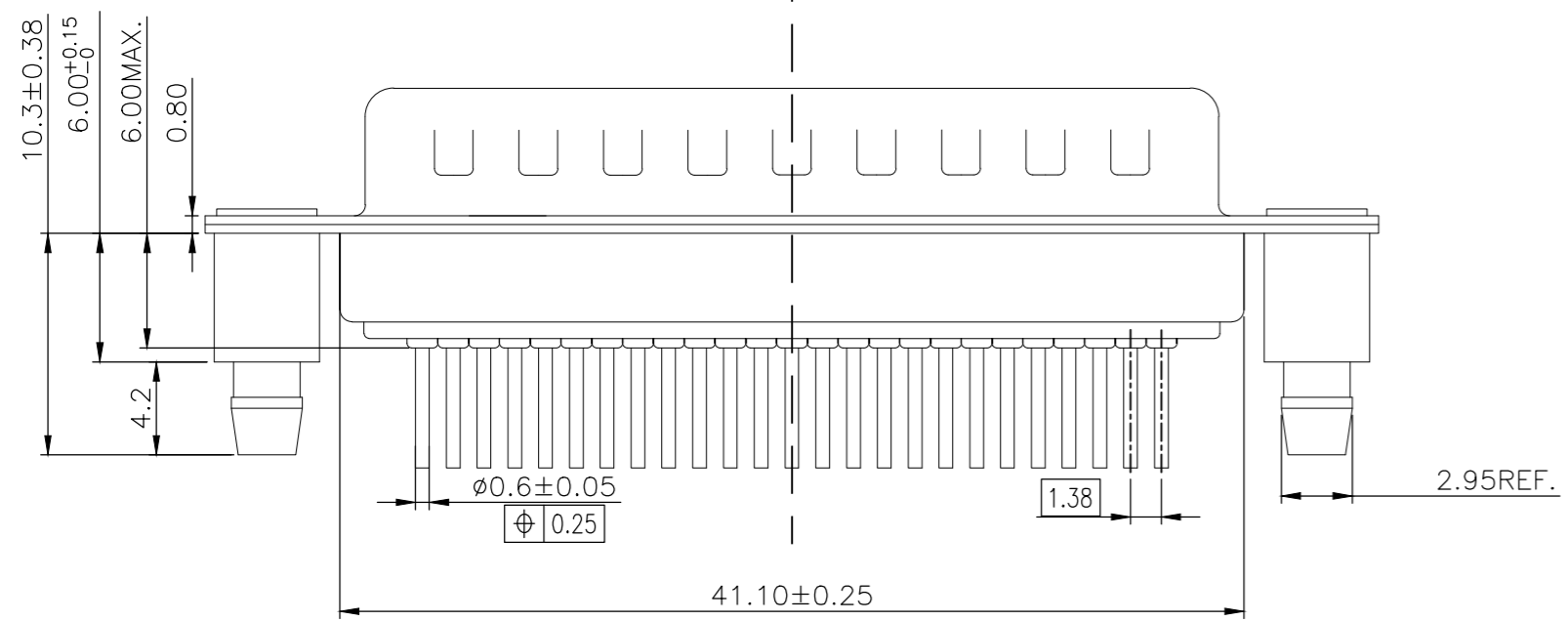
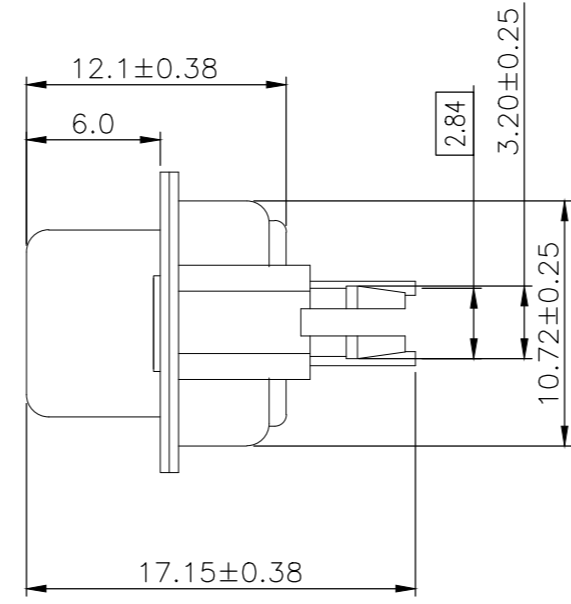
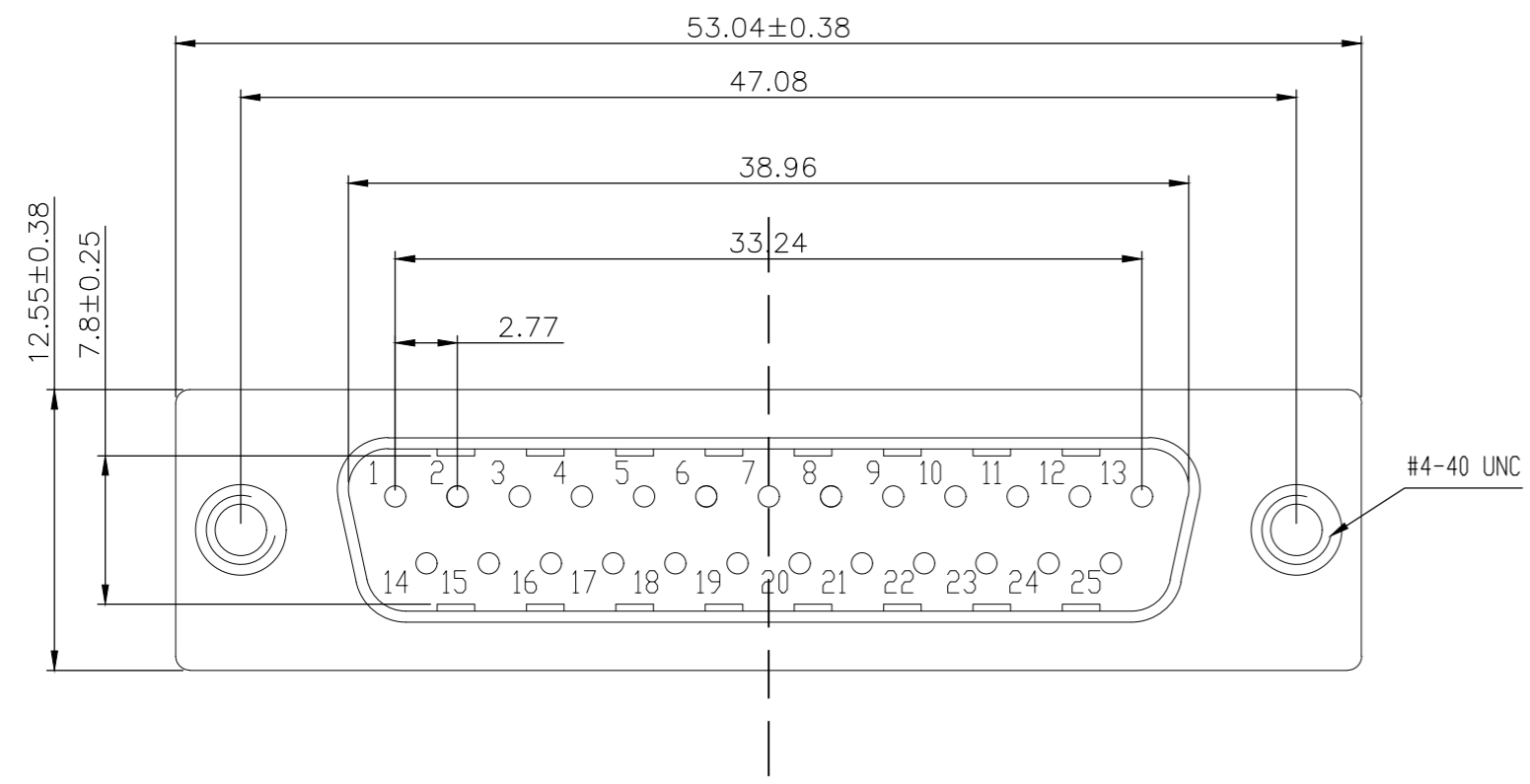


THIS DRAWING IS UNPUBLISHED. RELEASED FOR PUBLICATION  
 © COPYRIGHT - By - ALL RIGHTS RESERVED.

REVISIONS				
P	LTR	DESCRIPTION	DATE	APVD
D		REVISED PER ECO-18-001882	12FEB2018	AP DG

NOTE:

- MATERIAL:**  
 HOUSING: PBT WITH 20% GF UL 94 V-0, BLACK COLOR  
 CONTACTS: BRASS.  
 SHELL: STEEL.  
 SCREW: BRASS.  
 SCREW LOCK: BRASS.  
 SCREW TORQUE: 5kgf-cm MAX.
- FINISH:**  
 CONTACTS: GOLD PLATED ON CONTACT AREA,  
 0.375µm [15µ"] MIN. MATTE TIN ON SOLDER TAIL  
 2.54µm [100µ"], WITH ENTIRE CONTACT  
 UNDERPLATED 1.27µm [50µ"] MIN. NICKEL.  
 FRONT SHELL: 2.54µm [100µ"] MIN. NICKEL PLATED.  
 REAR SHELL: 1.27µm [50µ"] MIN NICKEL UNDERPLATE.  
 2.54µm [100µ"] MIN BRIGHT TIN PLATE  
 SCREW LOCK: 1.27µm [50µ"] MIN. NICKEL PLATED.  
 BOARDLOCK: 1.27µm [50µ"] MIN NICKEL UNDERPLATE  
 1.27µm [50µ"] MIN MATTE TIN PLATE
- WAVE SOLDER CAPABLE TO 265°C PER TE TEST SPEC. 109-202, CONDITION B.**

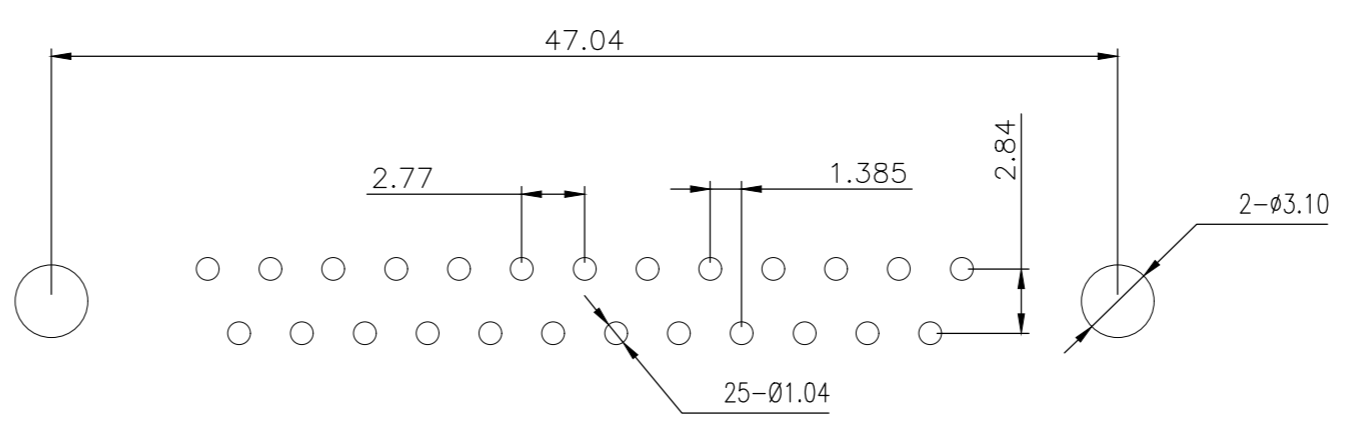
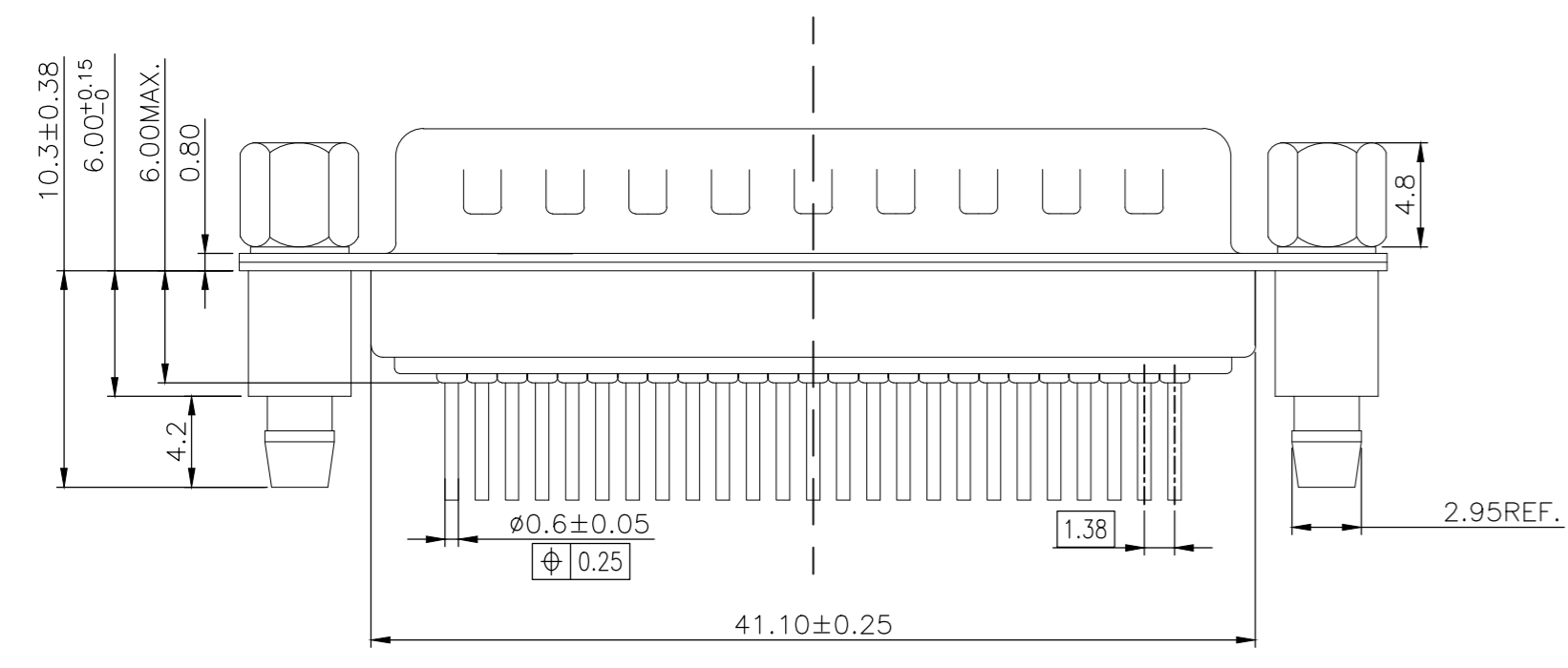
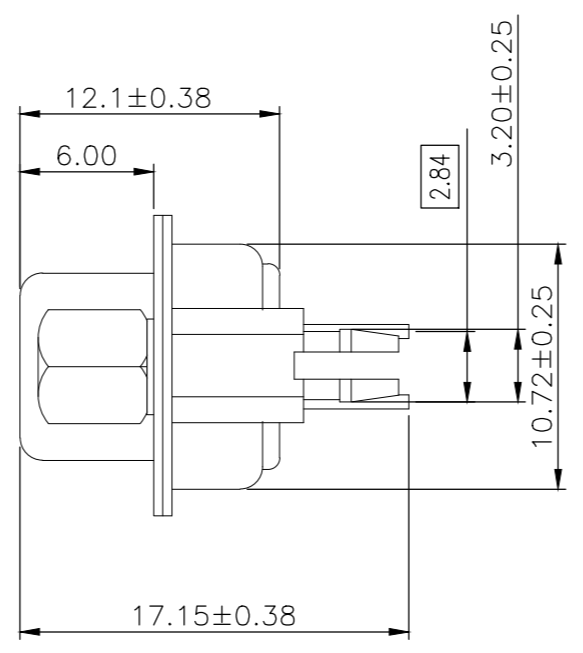
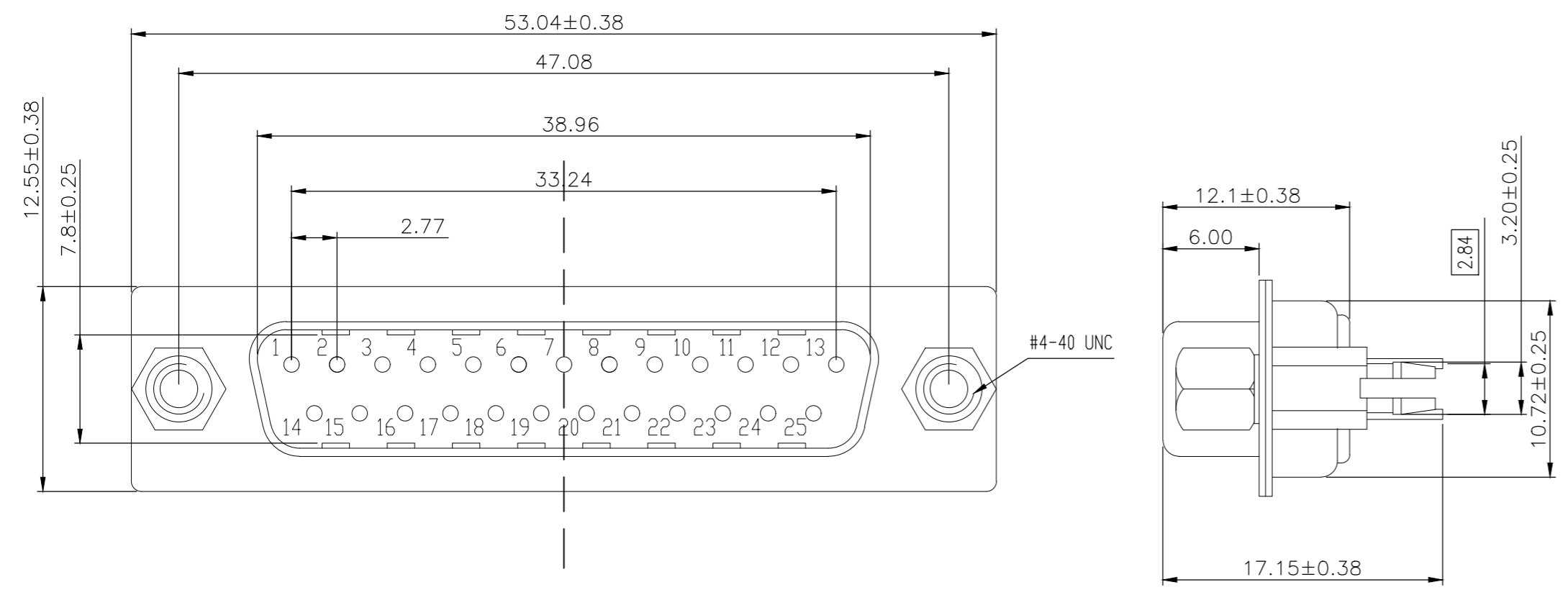


RECOMMENDED PCB LAYOUT

THIS DRAWING IS A CONTROLLED DOCUMENT.		DWN	AJITH PAI	06FEB2017
DIMENSIONS:		CHK	DAN GORENC	06FEB2017
mm	TOLERANCES UNLESS OTHERWISE SPECIFIED:	APVD	-	06FEB2017
	0 PLC	±	-	PRODUCT SPEC
	1 PLC	±	0.25	108-130013
	2 PLC	±	0.15	APPLICATION SPEC
	3 PLC	±	-	-
MATERIAL	FINISH	WEIGHT	0	CUSTOMER DRAWING
-	-	SCALE	3:1	SHEET 1 of 4
		REV	D	

25w D plg W B/L & 4-40 inserts 15u" gold		2301835-1
DESCRIPTION		TE PART NO
<b>TE</b> TE Connectivity		
NAME		
D-SUB VERTICAL 25P PLUG CONNECTOR		
SIZE	CAGE CODE	DRAWING NO
A2	00779	C=2301835
RESTRICTED TO		-

REVISIONS					
P	LTR	DESCRIPTION	DATE	DWN	APVD
-	-	SEE SHEET 1	-	-	-



RECOMMENDED PCB LAYOUT

THIS DRAWING IS A CONTROLLED DOCUMENT.		DWN	AJITH PAI	06FEB2017
DIMENSIONS:		CHK	-	06FEB2017
mm	TOLERANCES UNLESS OTHERWISE SPECIFIED:	APVD	-	06FEB2017
	0 PLC	±	-	PRODUCT SPEC
	1 PLC	±	0.25	108-130013
	2 PLC	±	0.15	APPLICATION SPEC
	3 PLC	±	-	-
	4 PLC	±	-	-
MATERIAL	FINISH	WEIGHT	0	CUSTOMER DRAWING

SIZE	A2
CAGE CODE	00779
DRAWING NO	C=2301835
SCALE	3:1
SHEET	2 of 4
REV	D

25w D plg W B/L & 4-40 s/lock 15u" gold		2301835-2
DESCRIPTION		TE PART NO
<b>TE</b> Connectivity		
D-SUB VERTICAL 25P PLUG CONNECTOR		
RESTRICTED TO	-	

2301835

4

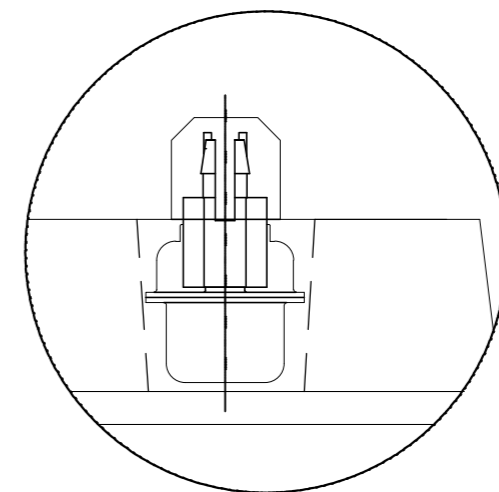
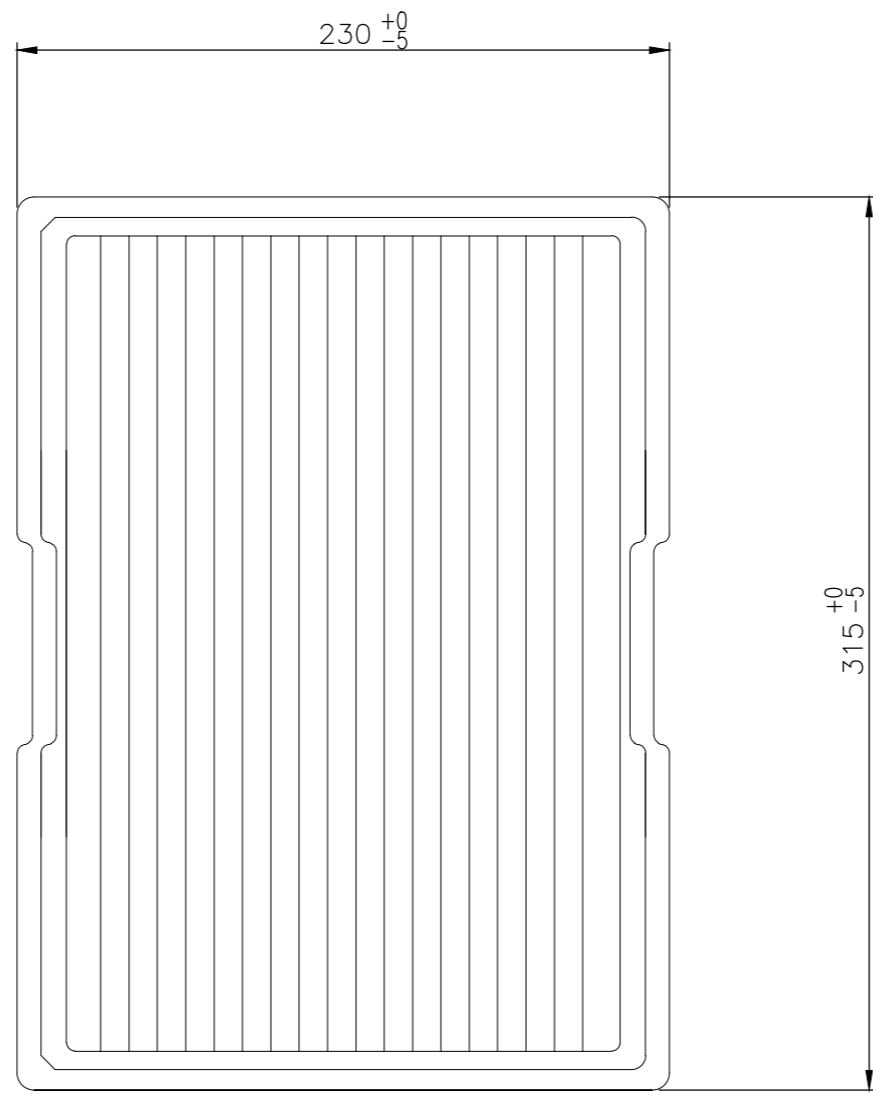
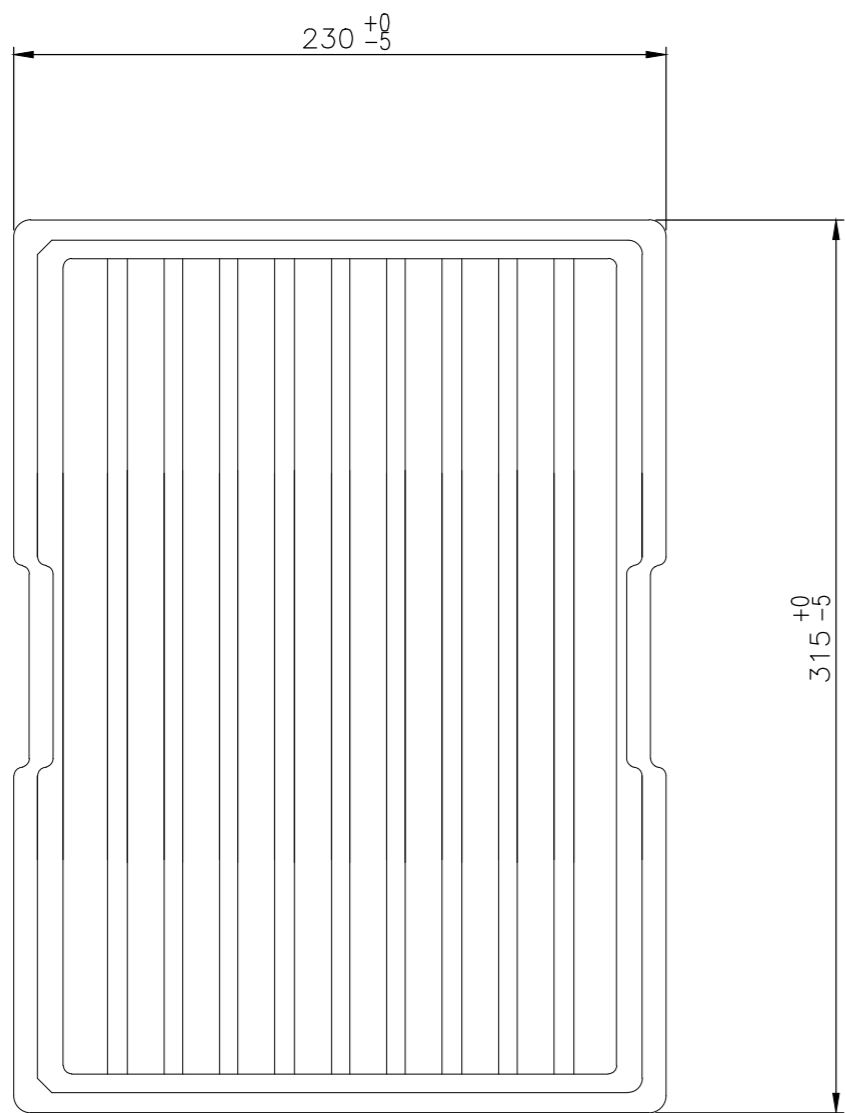
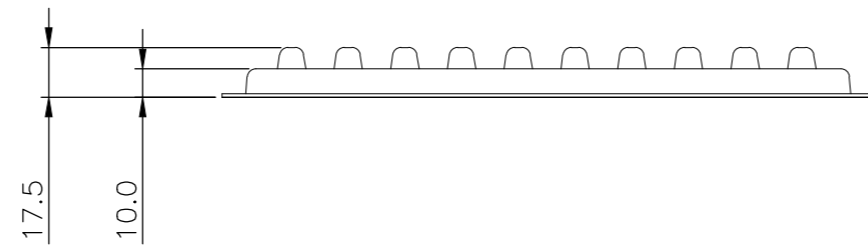
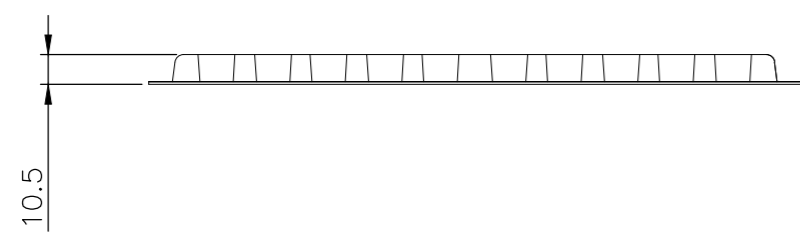
3

2

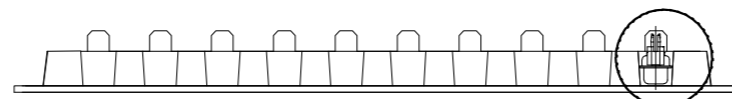
1

THIS DRAWING IS UNPUBLISHED. RELEASED FOR PUBLICATION  
 © COPYRIGHT - By - ALL RIGHTS RESERVED.

REVISIONS				
P	LTR	DESCRIPTION	DATE	APVD
-	-	SEE SHEET 1	-	-



DETAIL A

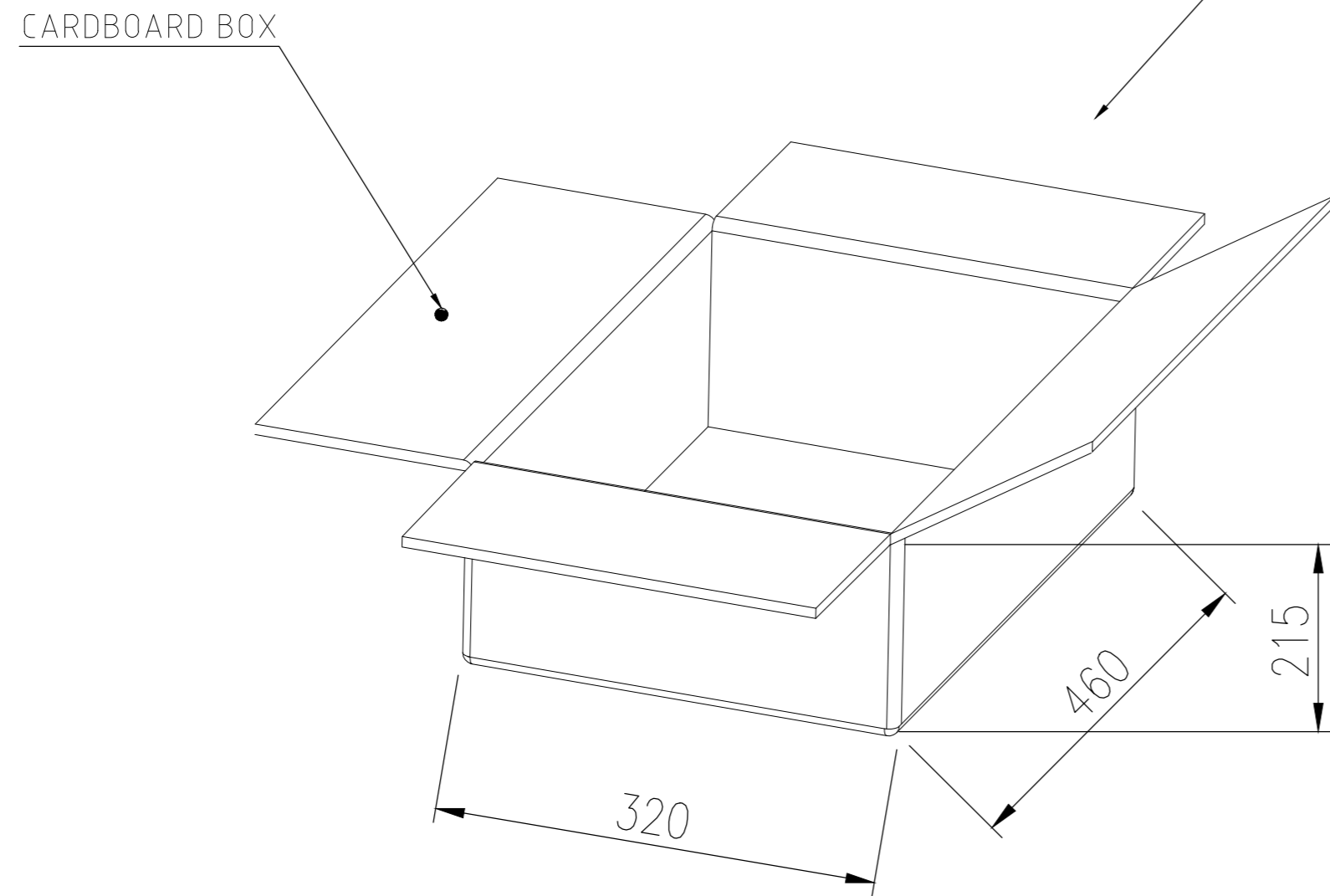
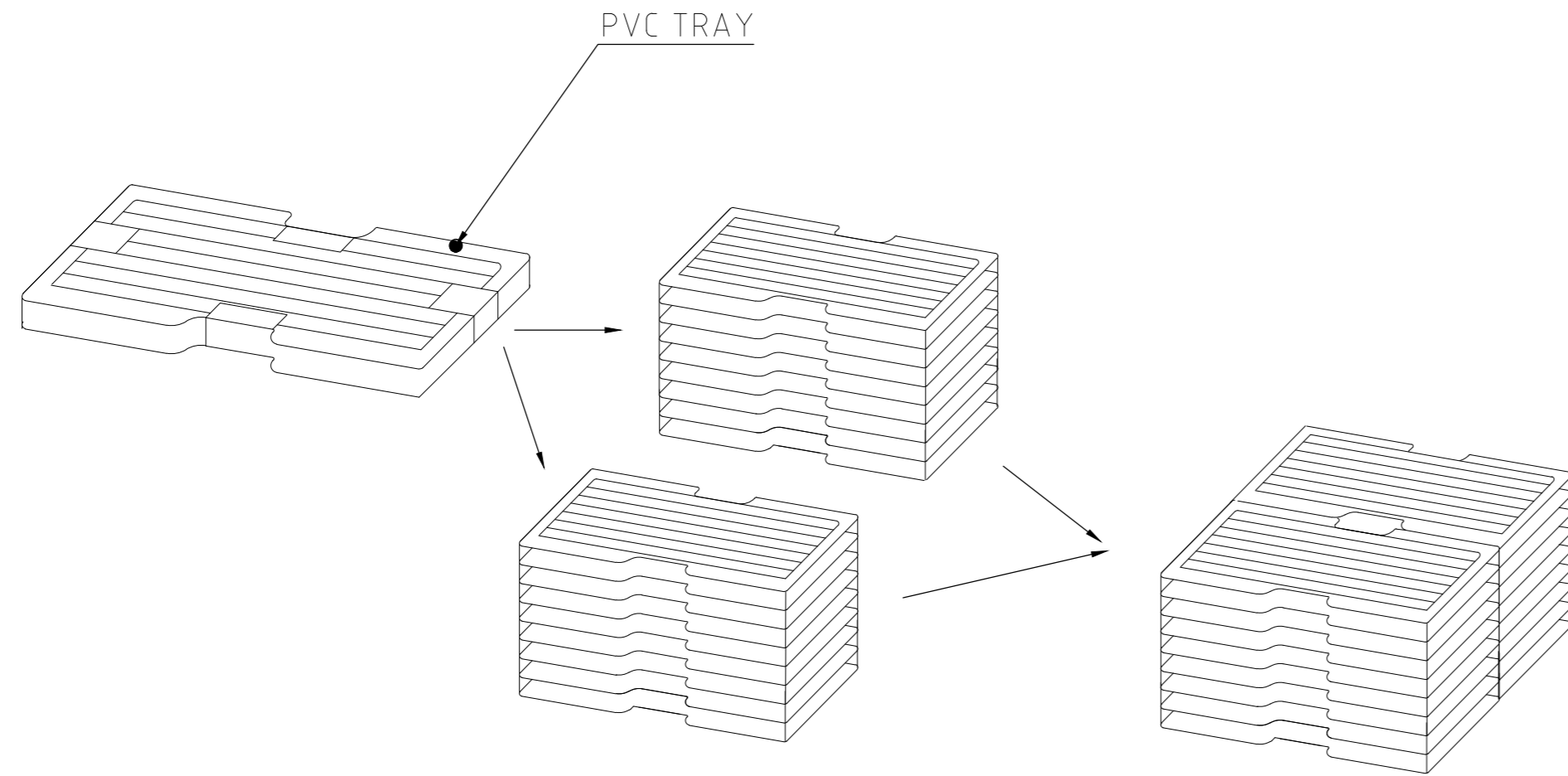


SEE DETAIL A

THIS DRAWING IS A CONTROLLED DOCUMENT.		DWN AJITH PAI 06FEB2017		
		CHK DAN GORENC 06FEB2017		
		APVD - 06FEB2017	NAME	
DIMENSIONS: mm		TOLERANCES UNLESS OTHERWISE SPECIFIED:	D-SUB VERTICAL 25P PLUG CONNECTOR	
		0 PLC ± -	SIZE	
		1 PLC ± 0.25	CAGE CODE	
		2 PLC ± 0.15	DRAWING NO	
		3 PLC ± -	RESTRICTED TO	
MATERIAL		FINISH	SCALE	
-		-	1:1	
		WEIGHT	SHEET	
		0	3 of 4	
		CUSTOMER DRAWING		REV
		A2 00779 C=2301835		D

THIS DRAWING IS UNPUBLISHED. RELEASED FOR PUBLICATION  
 © COPYRIGHT - By - ALL RIGHTS RESERVED.

REVISIONS					
P	LTR	DESCRIPTION	DATE	DWN	APVD
-	-	SEE SHEET 1	-	-	-



14.279	11.700	50	20	1000	2301835-2
12.779	10.200	50	20	1000	2301835-1
GROSS WEIGHT (kg)	NET WEIGHT (kg)	PCS/TRAY	TRAYS / CARTON	QUANTITY Pcs	PART NUMBER

THIS DRAWING IS A CONTROLLED DOCUMENT.		DWN AJITH PAI 06FEB2017			
DIMENSIONS: mm		CHK DAN GORENC 06FEB2017			
TOLERANCES UNLESS OTHERWISE SPECIFIED:		APVD - 06FEB2017	NAME		
0 PLC ± -		PRODUCT SPEC	D-SUB VERTICAL		
1 PLC ± 0.25		108-130013	25P PLUG CONNECTOR		
2 PLC ± 0.15		APPLICATION SPEC	-		
3 PLC ± -		WEIGHT	SIZE	CAGE CODE	DRAWING NO
4 PLC ± -		0	A2	00779	C=2301835
ANGLES ± -		CUSTOMER DRAWING	SCALE	SHEET	REV
FINISH			1:1	4 of 4	D
-					

2301835