

**Ratings**

Voltage: 600 V  
 Temperature: -40~105 °C  
 Flammability: FT2

**Conductor**

Conductor count: 6  
 Gauge: 18 AWG 0.82 mm<sup>2</sup>  
 Material: tinned copper strands  
 Strand size:  $\varnothing 0.16 \times 41$   
 Resistance at 20 °C: 23.2  $\Omega$  /km max

**Insulator**

Material: mPPE  
 Color: red, black, white, yellow, blue, green  
 Diameter:  $\varnothing 1.8 \pm 0.10$  mm  
 Average thickness: 0.29 mm  
 Minimum thickness: 0.23 mm  
 Resistance at 20 °C: 100 M $\Omega$  /km min

**Shield**

Type: foil  
 Material: aluminum mylar  
 Coverage: 100%

**Filler**

Material: cotton rope

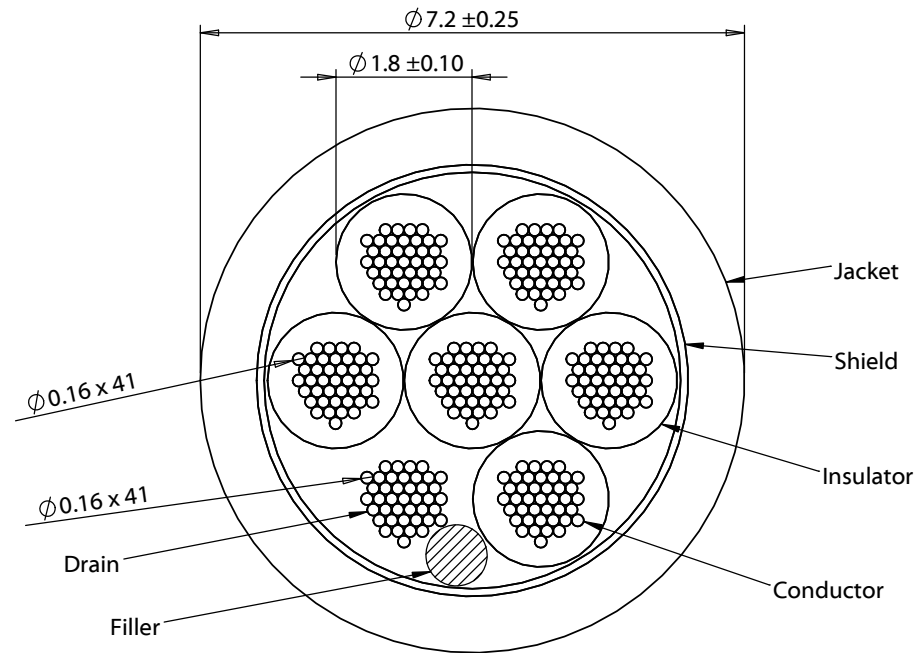
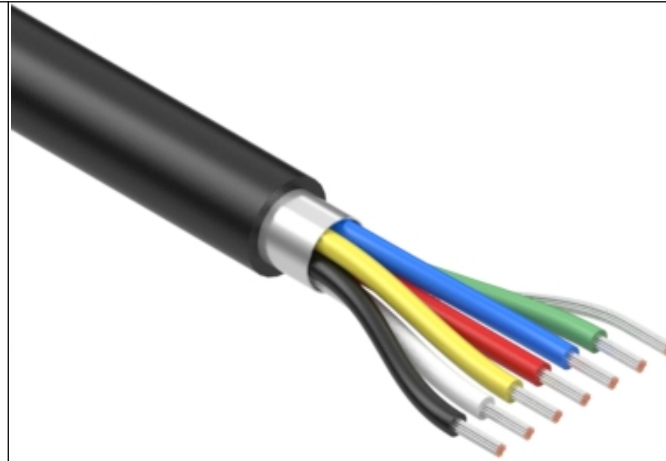
**Outer jacket**

Material: mPPE, 85A  
 Color: black  
 Diameter:  $\varnothing 7.2 \pm 0.25$  mm  
 Average thickness: 0.85 mm  
 Minimum thickness: 0.6 mm

**Wire marking:** E339579 UL AWM STYLE 21509 18 AWG 105°C  
 600V --- cUL AWM I A 105°C 600V FT2 TENSILITY

**Bend radius**

Minimum: 6 times diameter (43.2 mm)



Revision:	Date:	Description:	Prepared: AW <small>Digitally signed by AW Date: 2020.04.21 14:00:40 -07'00'</small>	Notes:	<b>TENSILITY</b> tel 1.541.323.3228 800 877.670.7118 fax 1.541.323.4202 web tensility.com
A	4/20/2020	Initial release	Verified: JC <small>Digitally signed by JC Date: 2020.04.22 10:57:34 -07'00'</small>	RoHS compliant Phthalate and halogen free	
			Dimensions are in millimeters. Tolerances: X: $\pm 0.5$ mm X.X: $\pm 0.3$ mm X.XX: $\pm 0.05$ mm	Description: Wire, 6C TS, 18 AWG, 21509, 600V, 105C, 7.2 mm, shielded, FT2, mPPE	Size: A Part number: 30-01466
					Scale: 10:1  Sheet 1 of 1

5

4

3

2

1