

MATERIALS AND FINISHES:

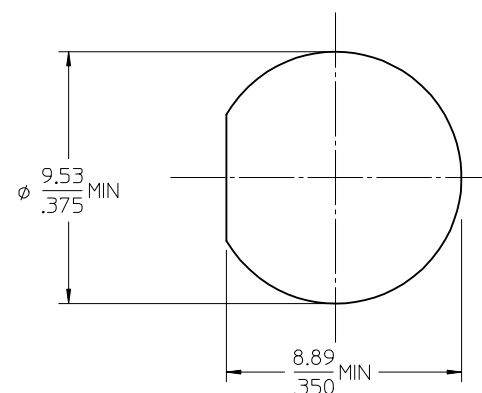
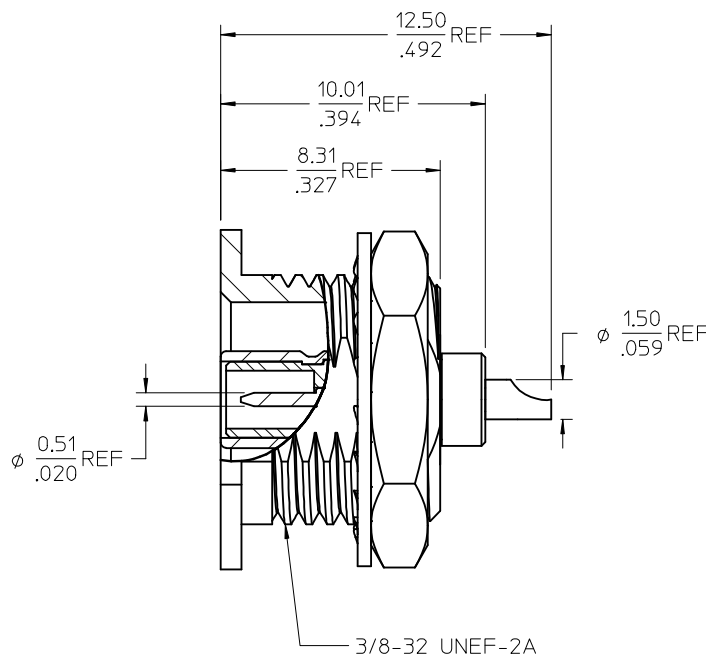
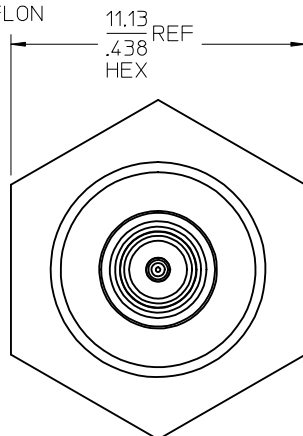
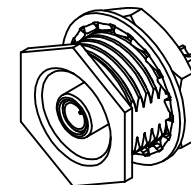
BODY: SEE TABLE

JAM NUT: BRASS
PLATED NICKEL

WASHER: PHOSPHOR BRONZE
PLATED NICKEL

CENTER CONTACT: BRASS
PLATED GOLD

INSULATOR: TEFLON



RECOMMENDED MOUNTING HOLE

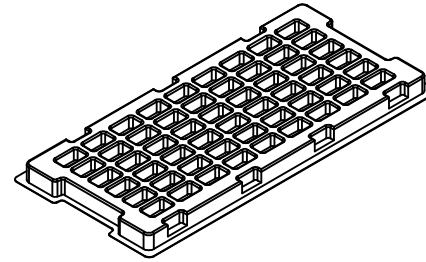
PS-73598-0099	ELECTRO/MECH PERFORM.
MIL-STD-348A, FIG. 311.1	INTERFACE
SPECIFICATION	DESCRIPTION

73404-0002	73404-0001, ONE PER BAG
73404-0001	BRASS/NICKEL/BULK
73404-0000	STEEL/PASSIVATED/BULK
PART NO.	BODY MATERIAL/PLATING/PACKAGING

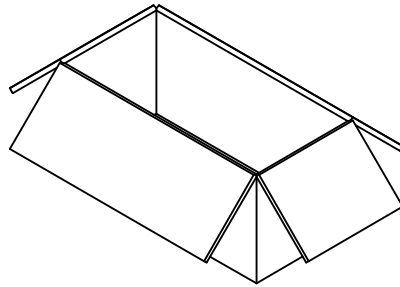
ADDED PACKAGE DRAWING PER RF15-E189 IEC NO: URF2015-0600 DRWNLIN 2015/04/30 CHKD: APPR: YCHENG 2015/05/05 DESCRIPTION	QUALITY SYMBOLS	GENERAL TOLERANCES (UNLESS SPECIFIED)	DIMENSION STYLE	SCALE	DESIGN UNITS	THIRD ANGLE PROJECTION
	▽=0 ▽=0	mm INCH 4 PLACES ± --- ± --- 3 PLACES ± --- ± --- 2 PLACES ± --- ± --- 1 PLACE ± --- ± --- ANGULAR ± 2 °	MM/IN DRAWN BY DATE NB J 1997/07/16 CHECKED BY DATE DHG 1998/01/09 APPROVED BY DATE GMH 1998/01/09	TITLE SMB JACK, RECEPT, BLKHD MT RECESSED, SOLDER POT 50 OHM, EWR1971, SMB-JR/BK	METRIC	
	DRAFT WHERE APPLICABLE MUST REMAIN WITHIN DIMENSIONS	SEE TABLE	MATERIAL NO. DOCUMENT NO.	MOLEX INCORPORATED	SHEET NO. 1 OF 3	
	A3	THIS DRAWING CONTAINS INFORMATION THAT IS PROPRIETARY TO MOLEX INCORPORATED AND SHOULD NOT BE USED WITHOUT WRITTEN PERMISSION	SD-73404-000			



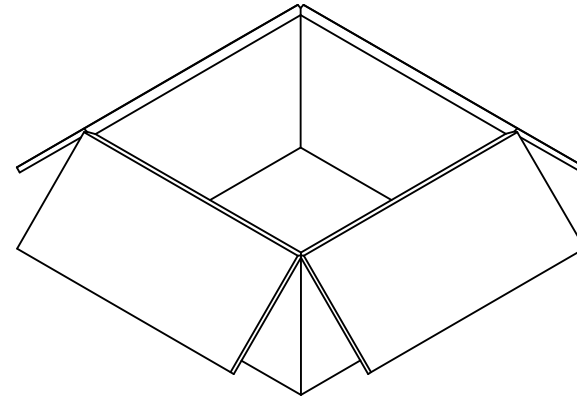
P/N: 73404-0000
P/N: 73404-0001



54 SET PER TRAY
TRAY P/N 89707-0220

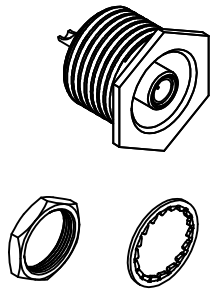


486 SET PER INNER
CARTON BOX
P/N 96707-0001
367X173X188

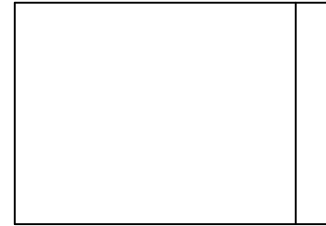


972 SET PER OUTER
CARTON BOX
P/N 96708-0005
385X367X206

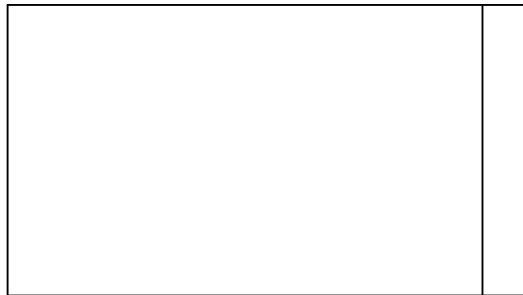
SEE SHEET 1 IEC NO: URF2015-0600 DRW/NEL IN 2015/04/30 CHKD: APPR: YCHENG 2015/05/05	QUALITY SYMBOLS	GENERAL TOLERANCES (UNLESS SPECIFIED)		DIMENSION STYLE		SCALE	DESIGN UNITS	THIRD ANGLE PROJECTION	
	▽=0	mm	INCH	MM/IN		1:5	METRIC	DRAWN BY DATE NBJ 1997/07/16 CHECKED BY DATE DHG 1998/01/09 APPROVED BY DATE GMH 1998/01/09	
	▽=0	4 PLACES ±	---	±	---	TITLE		SMB JACK,RECEPT,BLKHD MT RECESSED,SOLDER POT 50 OHM,EWR1971,SMB-JR/BK molex	
	▽=0	3 PLACES ±	---	±	---	DOCUMENT NO.			
	▽=0	2 PLACES ±	---	±	---	SEE SHEET 2		SD-73404-000	
▽=0	1 PLACE ±	---	±	---	MATERIAL NO.		SHEET NO.		
	0 PLACE ±	---	±	---	SIZE		2 OF 3		
		ANGULAR ± 2 °		THIS DRAWING CONTAINS INFORMATION THAT IS PROPRIETARY TO MOLEX INCORPORATED AND SHOULD NOT BE USED WITHOUT WRITTEN PERMISSION					
		DRAFT WHERE APPLICABLE MUST REMAIN WITHIN DIMENSIONS							



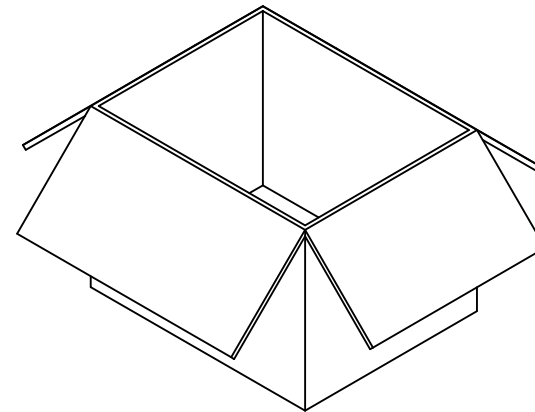
P/N: 73404-0002



1 SET PER PE BAG (WITH MOLEX LOGO)
 PE BAG P/N 89707-0317



50 SET PER PE BAG
 PE BAG P/N 89707-0174



500 SET PER OUTER
 CARTON BOX
 P/N 89499-9027
 267X215X260

SEE SHEET 1 EC NO: URF2015-0600 DRAWN BY: DRWNLIN 2015/04/30 CHKD: APPR: YCHENG 2015/05/05 REV: A3	QUALITY SYMBOLS	GENERAL TOLERANCES (UNLESS SPECIFIED)		DIMENSION STYLE MM/IN		SCALE 1:3.33	DESIGN UNITS METRIC	THIRD ANGLE PROJECTION	
	▽=0	mm	INCH	DRAWN BY	DATE	TITLE SMB JACK,RECEPT,BLKHD MT RECESSED,SOLDER POT 50 OHM,EWR1971,SMB-JR/BK			
	▽=0	4 PLACES ± ---	± ---	NBJ	1997/07/16				
	▽=0	3 PLACES ± ---	± ---	CHECKED BY	DATE				
▽=0	2 PLACES ± ---	± ---	DHG	1998/01/09					
	1 PLACE ± ---	± ---	APPROVED BY	DATE	MATERIAL NO.		DOCUMENT NO.		SHEET NO.
	0 PLACE ±	±	GMH	1998/01/09	SEE SHEET 1		SD-73404-000		3 OF 3
ANGULAR ± 2 °			DRAFT WHERE APPLICABLE MUST REMAIN WITHIN DIMENSIONS						
THIS DRAWING CONTAINS INFORMATION THAT IS PROPRIETARY TO MOLEX INCORPORATED AND SHOULD NOT BE USED WITHOUT WRITTEN PERMISSION									