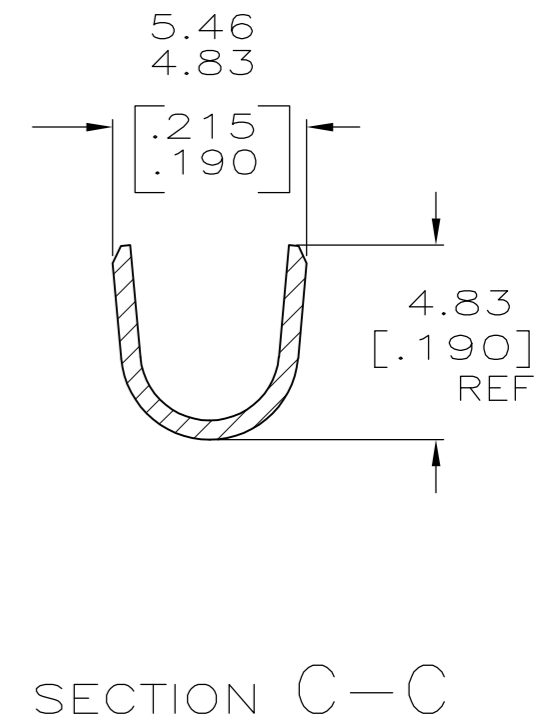
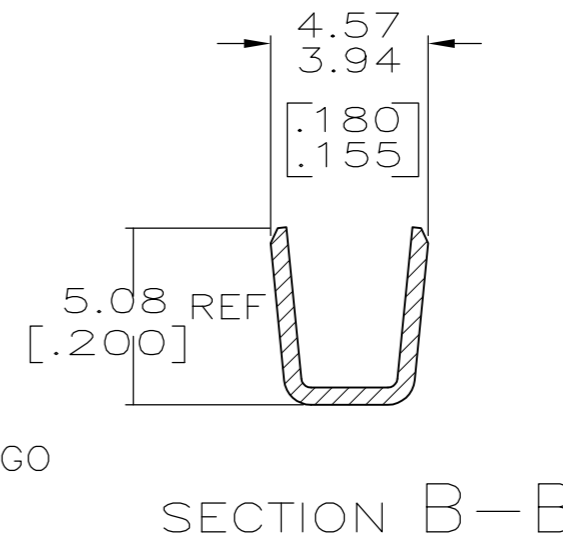
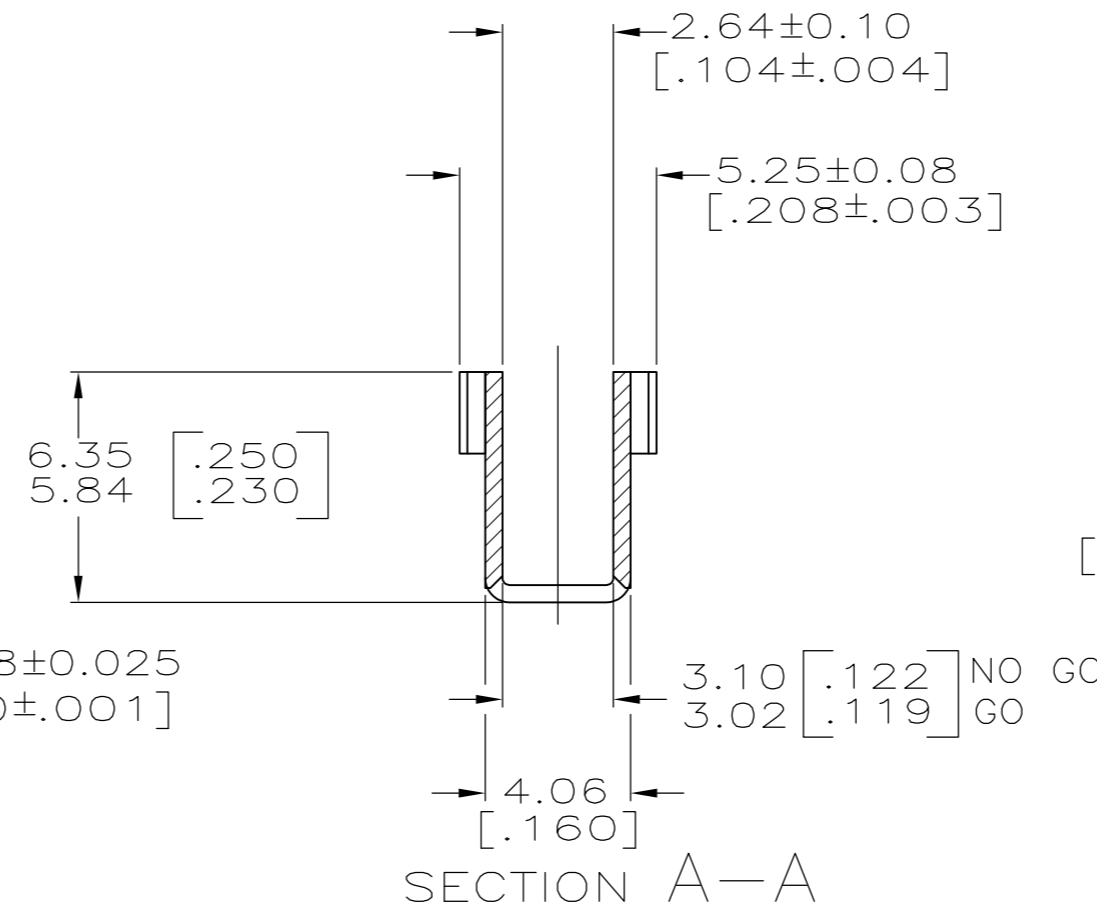
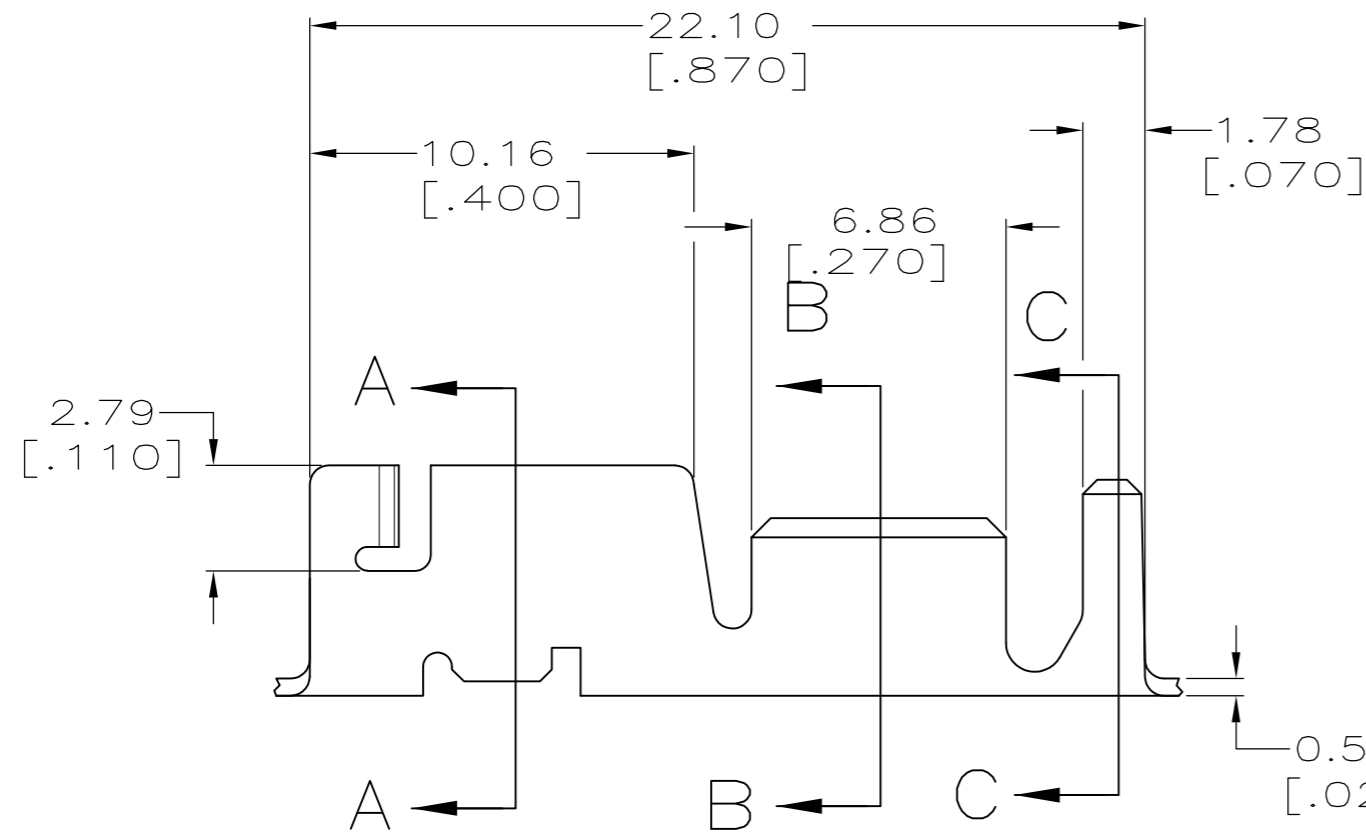
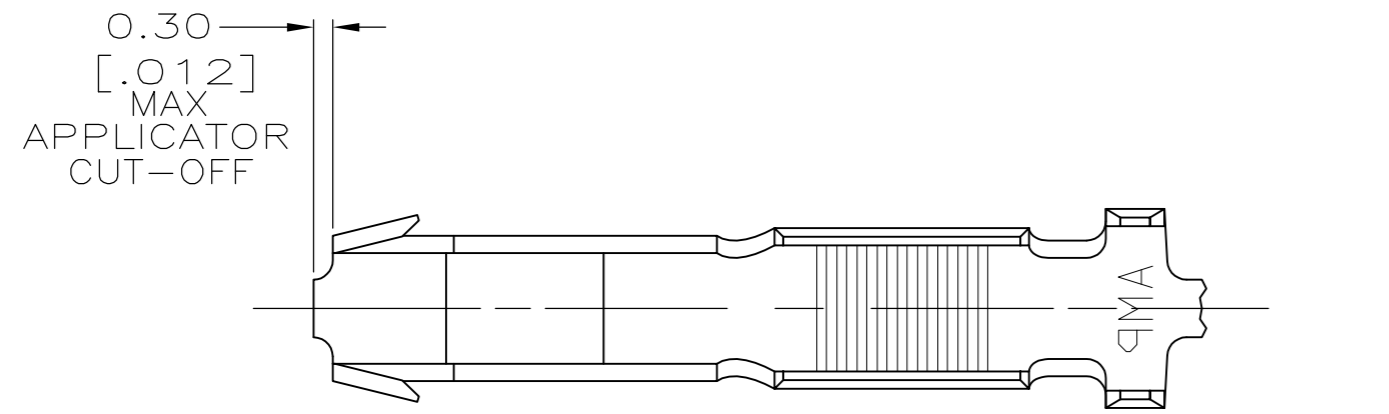


THIS DRAWING IS UNPUBLISHED. RELEASED FOR PUBLICATION
 © COPYRIGHT - By - ALL RIGHTS RESERVED.

LOC	DIST	REVISIONS			
P	LTR	DESCRIPTION	DATE	DWN	APVD
AF	50	G	REVISED PER ECR-14-006300	28AUG2014	MKD/RRP

1 CONTINUOUS STRIP ON REELS WITH TERMINALS LOCATED ON 23.75±0.08 [.935±.003] CENTERS.



3.81 MAX DIA [.150 MAX DIA]	4000-8500 CMA	1217173-1
INSULATION RANGE	WIRE RANGE	PART NUMBER

THIS DRAWING IS A CONTROLLED DOCUMENT.		DWN MICHAEL S. FEHER 01JUL1999	STE TE Connectivity	
DIMENSIONS: mm [INCHES]		CHK PETE DESANTIS 06JUL1999		
TOLERANCES UNLESS OTHERWISE SPECIFIED:		APVD PETE DESANTIS 06JUL1999	NAME RECEPTACLE, CLUSTER PIN, AMPLIVAR, 3.18[.125] DIA	
0 PLC ± -	1 PLC ± -	PRODUCT SPEC 108-2008	SIZE A2	CAGE CODE 00779
2 PLC ± 0.25 [.010]	3 PLC ± -	APPLICATION SPEC 114-2019	DRAWING NO C=1217173	RESTRICTED TO -
4 PLC ± -	ANGLES ± -	WEIGHT -	SCALE 5:1	SHEET 1 OF 1
MATERIAL H03 TIN-BRASS	FINISH POST TIN	CUSTOMER DRAWING	REV G	