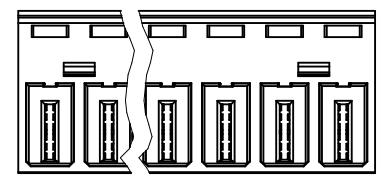
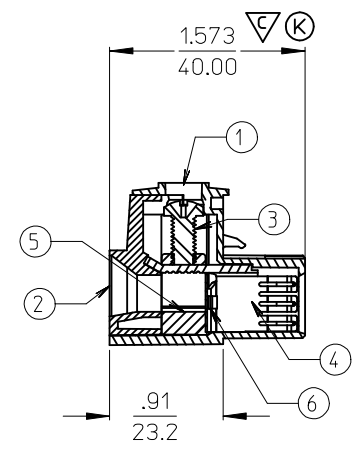
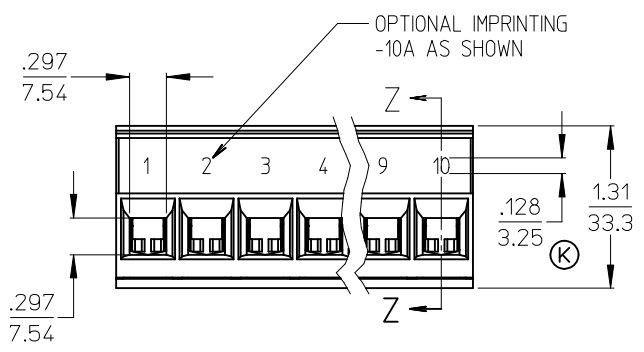
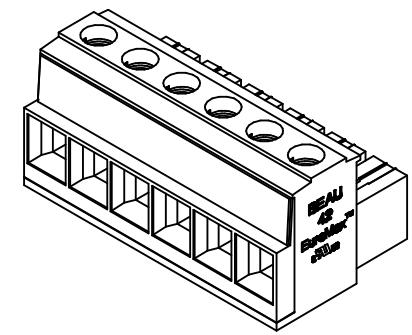
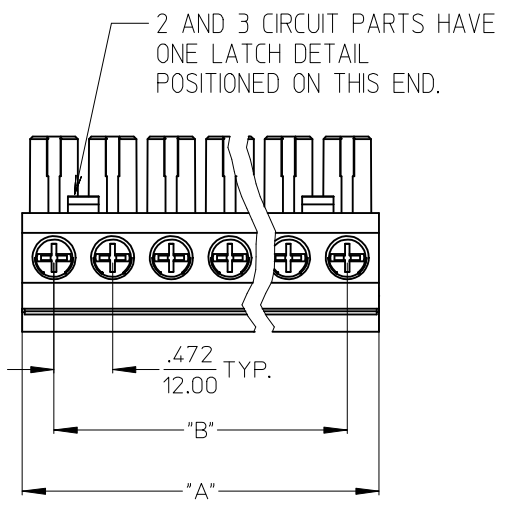


LENGTH TABLE				
NO. CIRCUITS	"B"	"A"	MATERIAL NO. (STANDARD)	MATERIAL NO. (-10A OPT.)
02	.472/12.00	.98/25.0	39421-0002	39421-1002
03	.945/24.00	1.46/37.0	39421-0003	39421-1003
04	1.417/36.00	1.93/49.0	39421-0004	39421-1004
05	1.890/48.00	2.40/61.0	39421-0005	39421-1005
06	2.362/60.00	2.87/73.0	39421-0006	39421-1006
07	2.835/72.00	3.35/85.0	39421-0007	39421-1007
08	3.307/84.00	3.82/97.0	39421-0008	39421-1008
09	3.780/96.00	4.29/109.0	39421-0009	39421-1009
10	4.252/108.00	4.76/121.0	39421-0010	39421-1010



SECTION Z-Z

- NOTES:
1. MATERIAL: SEE TABLE
 2. FINISHES: SEE TABLE
 3. MATES WITH: 3942500XX HEADER
 4. XX EQUALS NUMBER OF CIRCUITS
 5. ROHS COMPLIANT BY EXEMPTION *

ITEM	QTY.	DESCRIPTION	MATERIAL	FINISH
6	XX	BACK PLATE	PHOS. BRONZE	TIN
5	XX	PRESSURE CLAMP *	BRASS	NICKEL
4	XX	TERMINAL	COPPER ALLOY	TIN
3	XX	SCREW, M5 PAN HEAD, POZI-SLOT	S.S.	TIN
2	1	MOLDING, COVER	PBT	BLACK
1	1	MOLDING, BODY	PBT	BLACK

UPDATE DIM. ADD CTQ. DIM.

EC NO: IPG2013-1881

DRWN: JENC INAS 2013/06/25

CHKD: JMAGNEIL 2013/09/17

APPR: JMAGNEIL 2013/09/24

DESCRIPTION

REV

QUALITY SYMBOLS

▽=0

▽=1

GENERAL TOLERANCES (UNLESS SPECIFIED)	
mm	INCH
4 PLACES	± .005
3 PLACES	± .005
2 PLACES	± 0.13 ± .01
1 PLACE	± 0.3 ± .01
ANGULAR ± 2 °	

DRAFT WHERE APPLICABLE MUST REMAIN WITHIN DIMENSIONS

DIMENSION STYLE	
IN/MM	
DRAWN BY	DATE
RKEMP	03/07/21
CHECKED BY	DATE
PWALTZ	03/08/05
APPROVED BY	DATE
G. ROBERTSON	03/08/05
MATERIAL NO.	

SCALE	DESIGN UNITS	THIRD ANGLE PROJECTION
4:1	INCH	
TITLE		
PLUG, 12MM, 85A, 600V #10-#3 AWG		
MATERIAL NO.		
G. ROBERTSON 03/08/05		
DOCUMENT NO.		
SD-39421-001		
SHEET NO.		
1 OF 1		

THIS DRAWING CONTAINS INFORMATION THAT IS PROPRIETARY TO MOLEX INCORPORATED AND SHOULD NOT BE USED WITHOUT WRITTEN PERMISSION