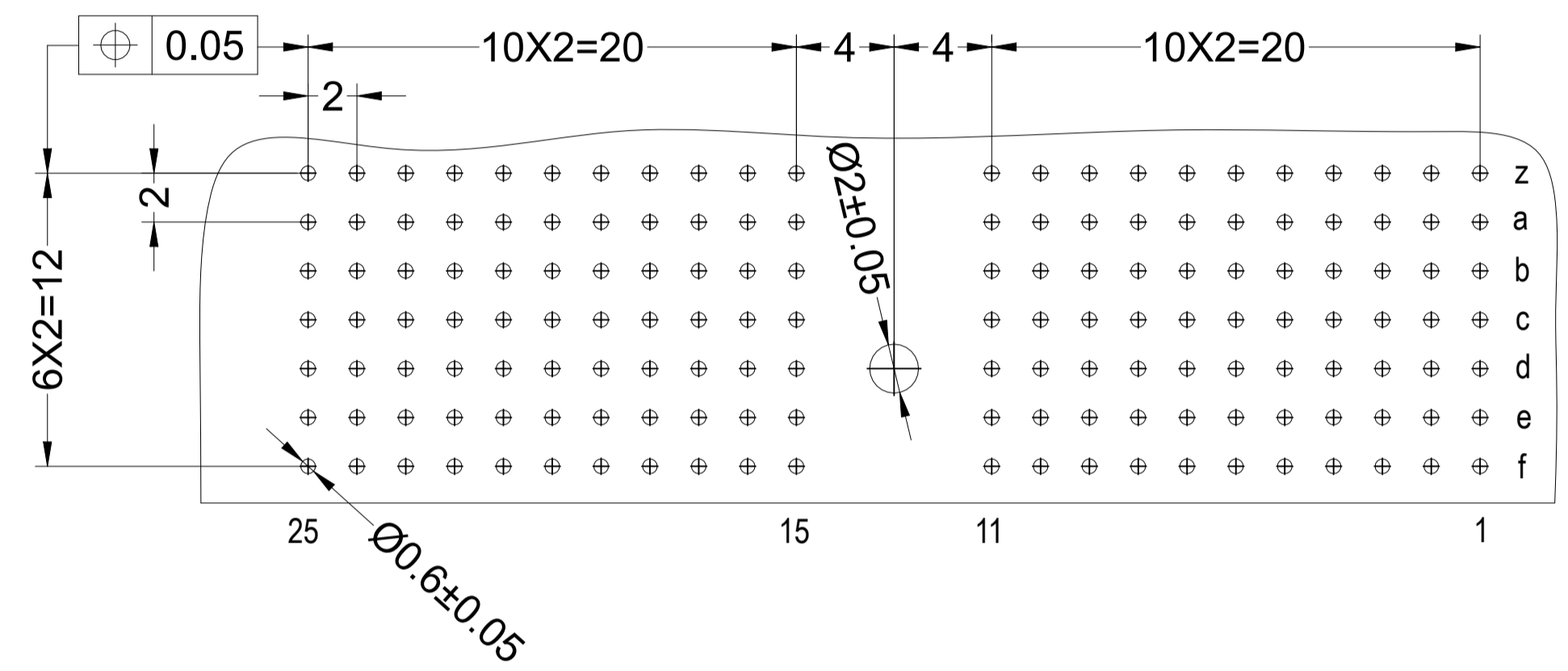
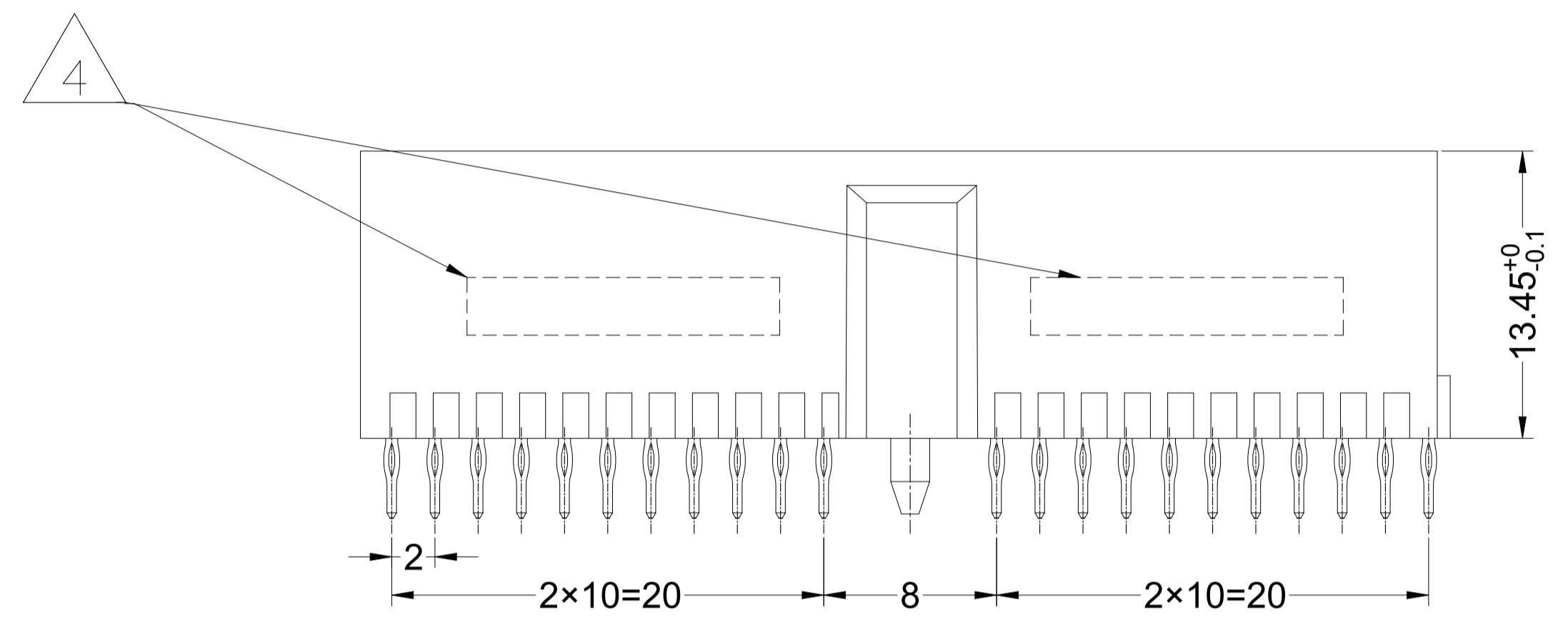
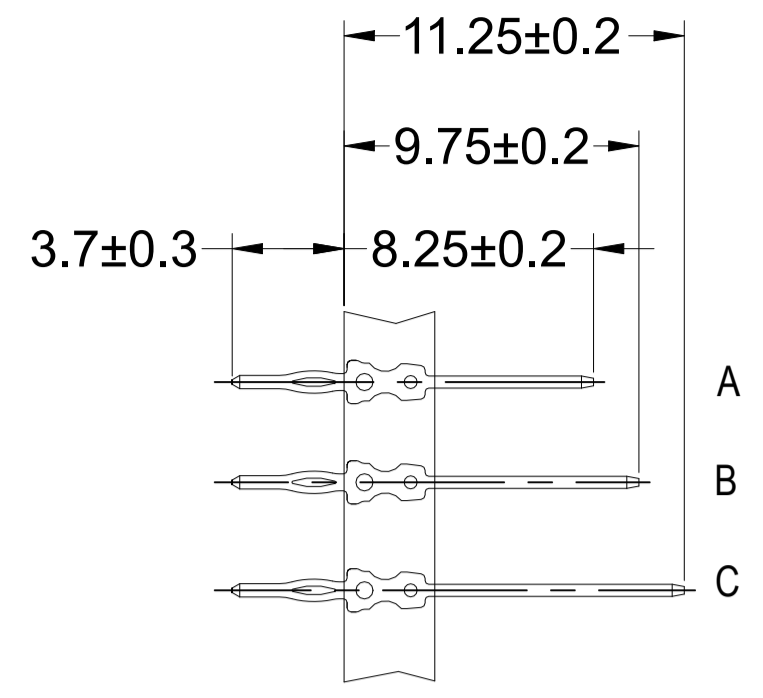
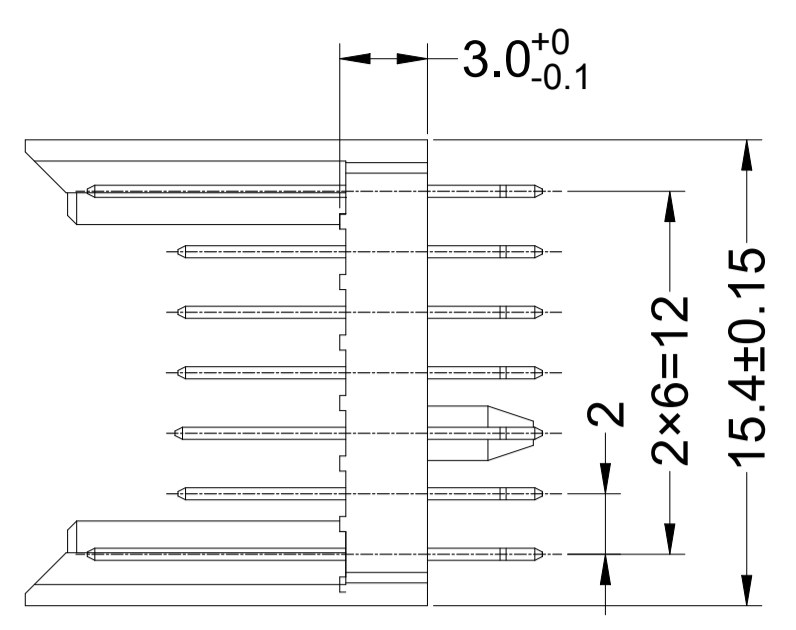
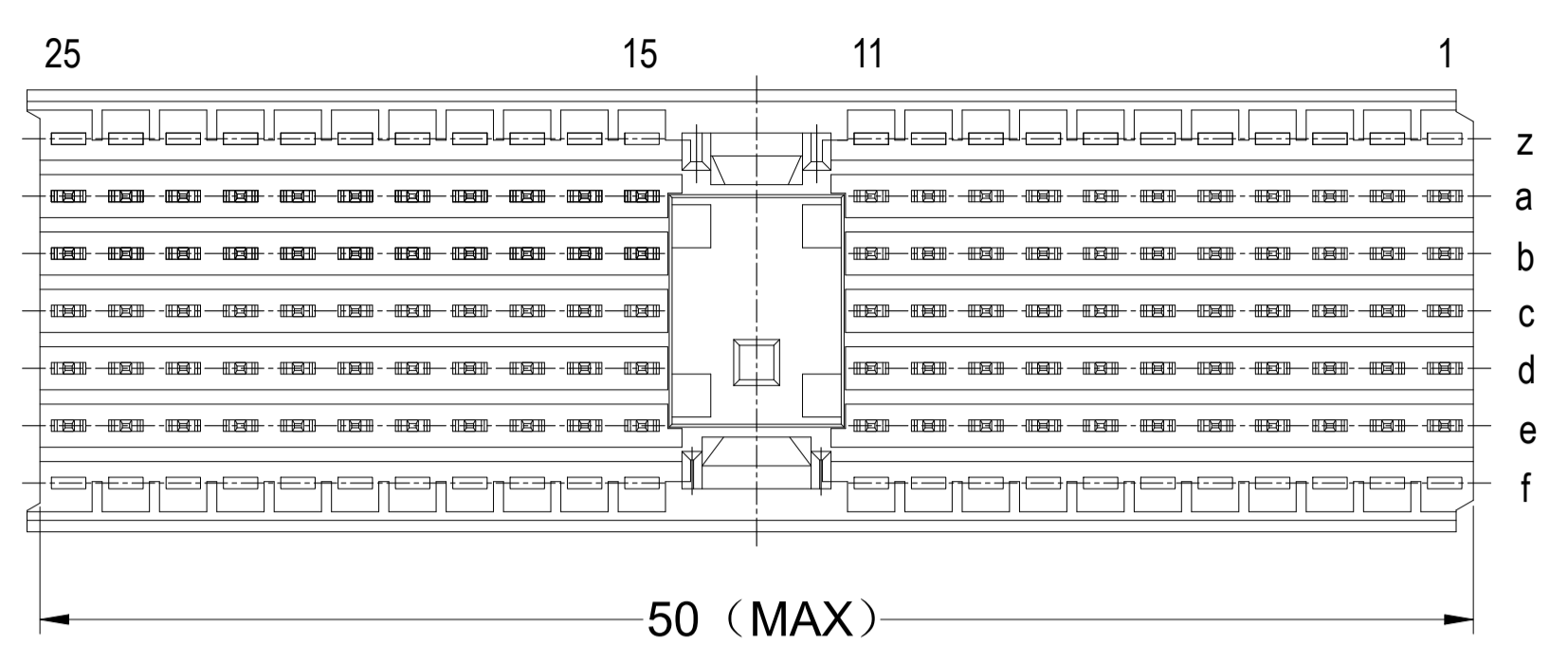
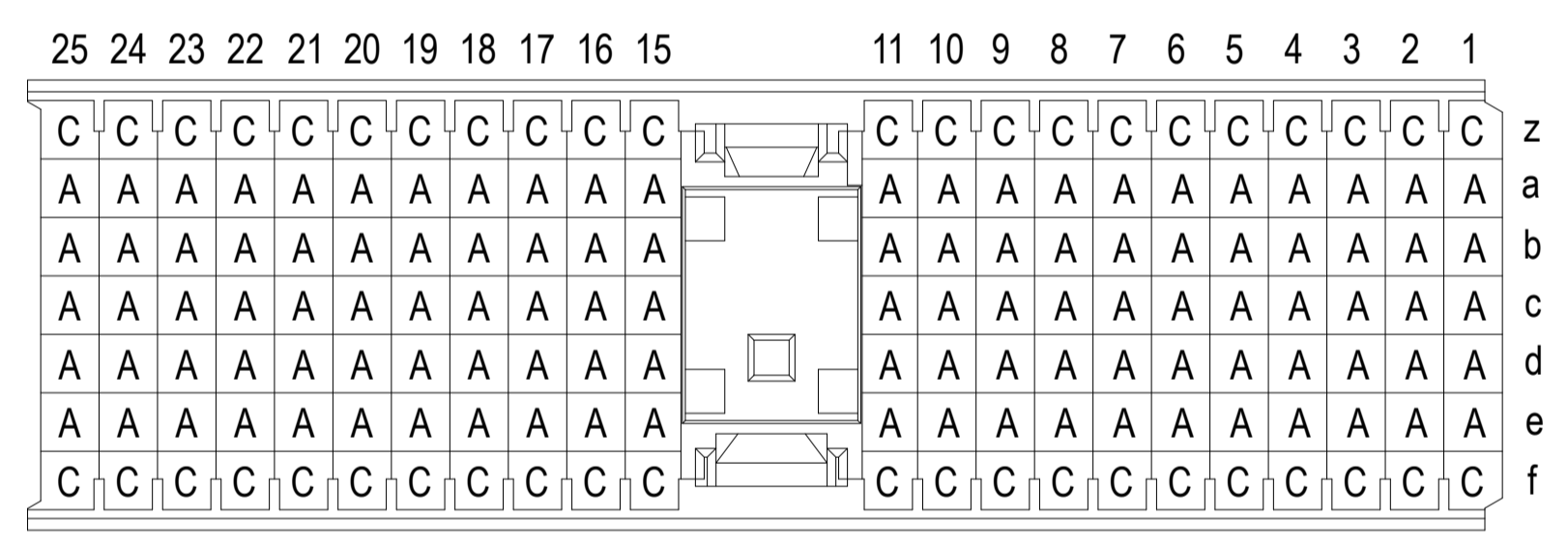


REVISIONS				
P	LTR	DESCRIPTION	DATE	APPV
A		INITIAL DRAWING	18OCT2021	TL HL



RECOMMEND PCB-HOLE LAYOUT  
 COMPONENT SIDE SHOWN  
 TOLERANCE ±0.05



- 1 MATERIAL:  
 CONTACT: COPPER ALLOY.  
 HOUSING: GLASS-FILLED POLYESTER.
- 2 GENERAL PLATING SPECIFICATION: UNDERPLATING  
 (ENTIRE CONTACT): 1.27µm MIN NICKEL AND ACTION  
 PIN: 0.5µm MIN TIN.  
 FOR PLATING OF MATING SURFACES SEE APPLICABLE  
 SPECIFICATION REFERENCE FOR EACH DASH NUMBER.
- 3 CONFORMS TO ALL TESTING ACCORDING TO IEC 61076-4-101  
 PERFORMANCE LEVEL 2.
- 4 CONNECTOR MARKED WITH PART NUMBER AND DATE CODE.

2/3	2391875-1
FINISH	PART NUMBER

THIS DRAWING IS A CONTROLLED DOCUMENT.		DIN TONY LI 27MAY2021	TE Connectivity Ltd.	
DIMENSIONS: mm		CHK ALEX XU 27MAY2021	NAME MALE ASSEMBLY, Z-PACK 2mm HM, 154P TYPE A EON	
TOLERANCES UNLESS OTHERWISE SPECIFIED:		APPV HOPE LU 27MAY2021	APPLICATION SPEC 108-19082	
0-PLC ±		PRODUCT SPEC 114-160149	RESTRICTED TO	
1-PLC ±0.2		SIZE A1	CAGE CODE 00779	DRAWING NO. C=2391875
2-PLC ±		WEIGHT 0	SCALE 4:1 SHEET 1 of 1 REV A	
3-PLC ±		CUSTOMER DRAWING		
4-PLC ±				
ANGLES				
MATERIAL 1		SEE TABLE		