

Type PMA-KB-08-Q1S

Panel Mount Fuse Holder

1/4" x 1/4" (6.3 x 32mm) Fuses

Knob / Bayonet



www.optifuse.com (619) 593-5050

Electrical Rating: 10A, 250V AC

Fuse Style: 1/4" x 1/4" (6.3 x 32mm)

Material:

Frame and Cap: Thermoplastic Material (UL flame: 94V-0)

Terminals: Nickel or Tin-plated Copper Alloy

Cap: Knob type, Bayonet type

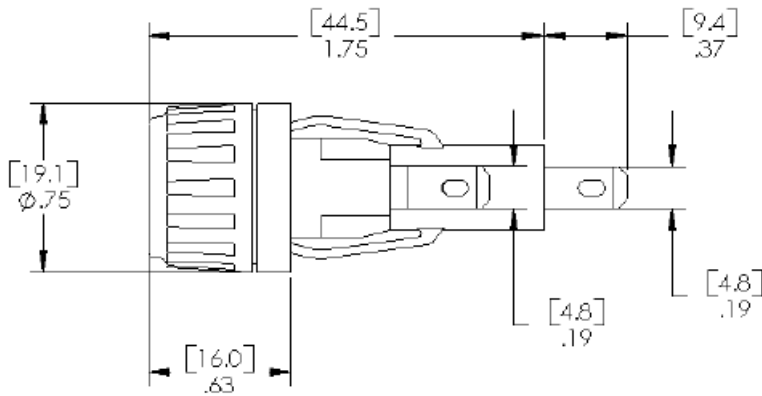
Mounting: Snap Fit Mounting

Terminal: Solder/Quick-Connect 4.8mm / 0.187"

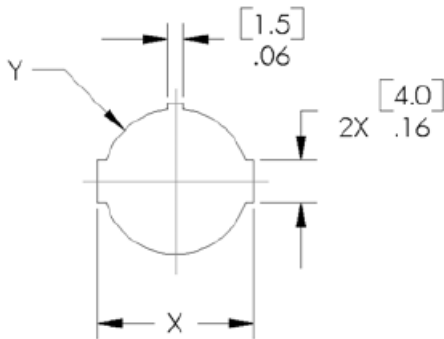
Agency Standards and Listings:



Product Dimensions: Inches [mm]



Panel Cutout



Panel Thickness	X	Y
.039 [1.0]	.547 [13.9]	591 +.004/-0 [15 +0.1/-0]
.059 [1.5]	.563 [14.3]	
.079 [2.0]	.570 [14.5]	
.098 [2.5]	.577 [14.65]	
.118 [3.0]	.583 [14.8]	
.138 [3.5]	.591 [15.0]	

Warning:



- Operation beyond the specified maximum ratings or improper use may result in damage and possible electrical arcing and/or flame.
- Fuse Holders are not intended for circuit disconnect. All power should be disconnected before removing fuse.
- Avoid contact of Fuse Holder with chemical solvent. Prolonged contact may damage the device performance.