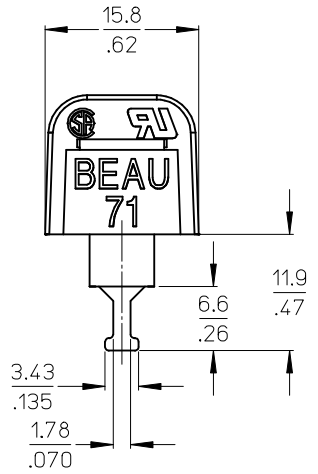
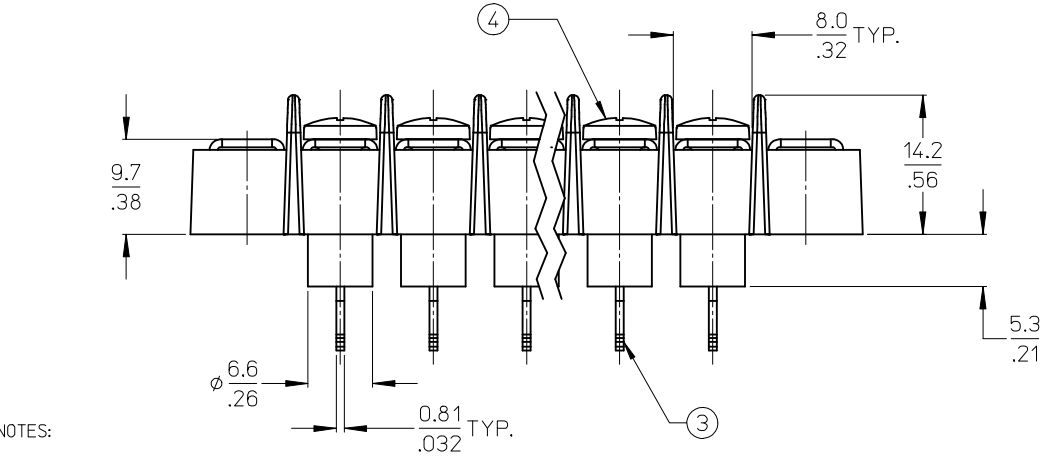


5 CIRCUITS SHOWN



- NOTES:
 1. MATERIAL: SEE TABLE
 2. FINISHES: SEE TABLE
 3. PRODUCT SPECIFICATION: NOT REQUIRED
 4. XX REFERS TO THE NUMBER OF CIRCUITS
 5. ROHS COMPLIANT.

4	XX	SCREW #6-32X.250 BHD PHSL SS -56 (B)	STAINLESS STEEL	PASSIVATED
3	XX	TERMINAL, TURRET	BRASS	TIN PLATE
2	2	PLATE, MOUNTING	BRASS	NICKEL PLATE
1	1	INSULATOR, SINGLE ROW	POLYESTER (PBT)	BLACK
ITEM	QTY.	DESCRIPTION	MATERIAL	FINISH

CHANGE SCREW, REDRAWN
 EC NO: IPG2013-0364
 DRAWN: JENCINAS 2011/05/30
 CHKD: JMACNEIL 2011/05/30
 APPR: JMACNEIL 2012/11/05

QUALITY SYMBOLS
 ▼=0
 ▽=0

GENERAL TOLERANCES (UNLESS SPECIFIED)	
	mm
	INCH
4 PLACES	± --- ± ---
3 PLACES	± --- ± .005
2 PLACES	± 0.13 ± .010
1 PLACE	± 0.3 ± ---
ANGULAR ± 2 °	
DRAFT WHERE APPLICABLE MUST REMAIN WITHIN DIMENSIONS	

DIMENSION STYLE	
MM/IN	
DRAWN BY	DATE
JENCINAS	2011/05/11
CHECKED BY	DATE
JMACNEIL	2011/05/11
APPROVED BY	DATE
JMACNEIL	2012/11/05
MATERIAL NO.	

SCALE	DESIGN UNITS	THIRD ANGLE PROJECTION
2:1	INCH	
TITLE		
9.53MM/.375" SR BTS ASSY INSUL. SOLDER TURRET SS SCREW		
MOLEX INCORPORATED		SHEET NO.
DOCUMENT NO.		1 OF 2
SEE SHEET 2		
THIS DRAWING CONTAINS INFORMATION THAT IS PROPRIETARY TO MOLEX INCORPORATED AND SHOULD NOT BE USED WITHOUT WRITTEN PERMISSION		

NO. OF CIRCUITS	DIM. "A"		DIM. "B"		DIM. "C"		DIM. "D"		ASSEMBLY MATERIAL NO. (STANDARD)
	mm	in	mm	in	mm	in	mm	in	
02	40.1	1.58	9.53	0.375	28.58	1.125	21.1	0.83	
03	49.7	1.96	19.05	0.750	38.10	1.500	30.7	1.21	387190059
04	59.2	2.33	58.58	1.125	47.63	1.875	40.2	1.58	
05	68.7	2.71	38.10	1.500	57.15	2.250	49.7	1.96	
06	78.2	3.08	47.63	1.875	66.68	2.625	59.2	2.33	387190195
07	87.8	3.46	57.15	2.250	76.20	3.000	68.8	2.71	
08	97.3	3.83	66.68	2.625	85.73	3.375	78.3	3.08	387190288
09	106.8	4.21	76.20	3.000	95.25	3.750	87.8	3.46	
10	116.3	4.58	85.73	3.375	104.78	4.125	97.3	3.83	387190332
11	125.9	4.96	95.25	3.750	114.30	4.500	106.9	4.21	
12	135.4	5.33	104.78	4.125	123.83	4.875	116.4	4.58	387190366
13	144.9	5.71	114.30	4.500	133.35	5.250	125.9	4.96	
14	154.4	6.08	123.83	4.875	142.88	5.625	135.4	5.33	387190394
15	164.0	6.46	133.35	5.250	152.40	6.000	145.0	5.71	387190178
16	173.5	6.83	142.88	5.625	161.93	6.375	154.5	6.08	387190612
17	183.0	7.21	152.40	6.000	171.45	6.750	164.0	6.46	
18	192.5	7.58	161.93	6.375	180.98	7.125	173.5	6.83	
19	202.1	7.96	171.45	6.750	190.50	7.500	183.1	7.21	
20	211.6	8.33	180.98	7.125	200.03	7.875	192.6	7.58	387190427
21	221.1	8.71	190.50	7.500	209.55	8.250	202.1	7.96	
22	230.6	9.08	200.03	7.875	219.08	8.625	211.6	8.33	
23	240.2	9.46	209.55	8.250	228.60	9.000	221.2	8.71	
24	249.7	9.83	219.08	8.625	238.13	9.375	230.7	9.08	
25	259.2	10.21	228.60	9.000	247.65	9.750	240.2	9.46	
26	268.7	10.58	238.13	9.375	257.18	10.125	249.7	9.83	

SEE SHEET ONE EC NO: IPG2013-0364 DRAWN: JENCINAS 2011/05/30 CHKD: JMACNEIL 2011/05/30 APPR: JMACNEIL 2012/11/05	QUALITY SYMBOLS ▽=0 ▽=0	GENERAL TOLERANCES (UNLESS SPECIFIED)		DIMENSION STYLE	SCALE	DESIGN UNITS	THIRD ANGLE PROJECTION		
				MM/IN	2:1	INCH			
				mm	INCH	DRAWN BY		DATE	TITLE 9.53MM/.375" SR BTS ASSY INSUL. SOLDER TURRET SS SCREW
				4 PLACES ± --- ± ---	JENCINAS	2011/05/11			
		3 PLACES ± --- ± .005	CHECKED BY	DATE	MOLEX INCORPORATED	DOCUMENT NO. SD-38719-005			
		2 PLACES ± 0.13 ± .010	JMACNEIL	2011/05/11					
		1 PLACE ± 0.3 ± ---	APPROVED BY	DATE	SHEET NO. 2 OF 2				
		ANGULAR ± 2 °	JMACNEIL	2012/11/05					
		DRAFT WHERE APPLICABLE MUST REMAIN WITHIN DIMENSIONS	MATERIAL NO.	SEE SHEET 2 THIS DRAWING CONTAINS INFORMATION THAT IS PROPRIETARY TO MOLEX INCORPORATED AND SHOULD NOT BE USED WITHOUT WRITTEN PERMISSION					