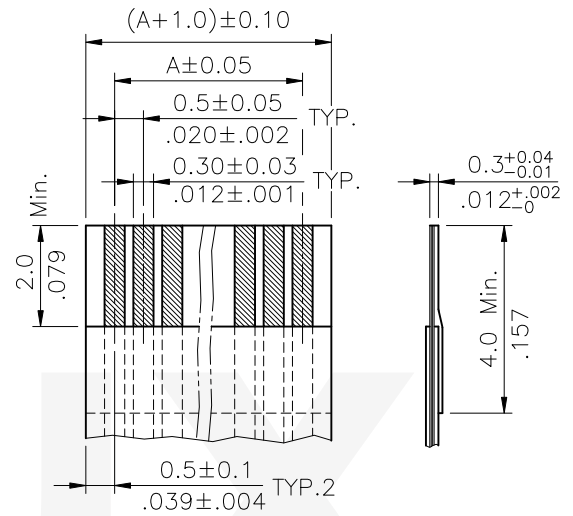
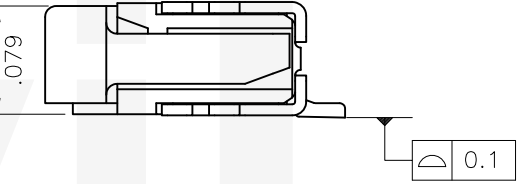


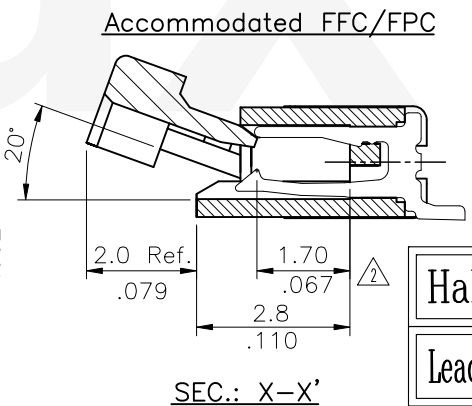
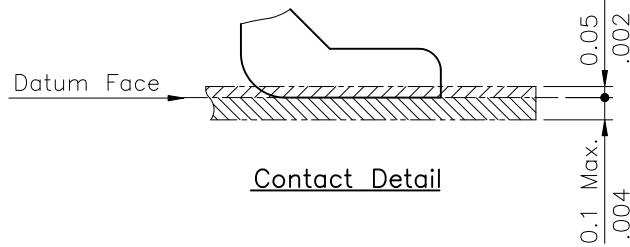
Ordering Code  
 CF20 \*\* 1 D 0 \*0 -NH  
 ① ② ③ ④ ⑤ ⑥ ⑦

- ① Series No.
- ② No. of Circuits
- ③ Plating code:  
1 = 3.05 $\mu$ m(120 $\mu$ "") Min. Matte Tin  
over 0.76 $\mu$ m(30 $\mu$ "") Nickel
- ④ Contact style: D= Downside contact
- ⑤ Color: 0= Nature
- ⑥ Other option: R0= Tape & Reel  
T0= Tube Packing
- ⑦ Other option:  
NH= For Lead Free IR Processes  
and Halogen-Free


Material :  
 \* Body : High temperature plastic UL 94V-0  
 Color Nature  
 \* Slider : High temperature plastic UL 94V-0  
 Color Black  
 \* Contact : Copper alloy with Matte Tin plated  
 \* Fixed tab : Copper alloy with Matte Tin plated



A = 0.50 \* No. of Spaces  
 B = A + 6.0  
 C = A + 1.1  
 \* Available in 4 through 55 circuits



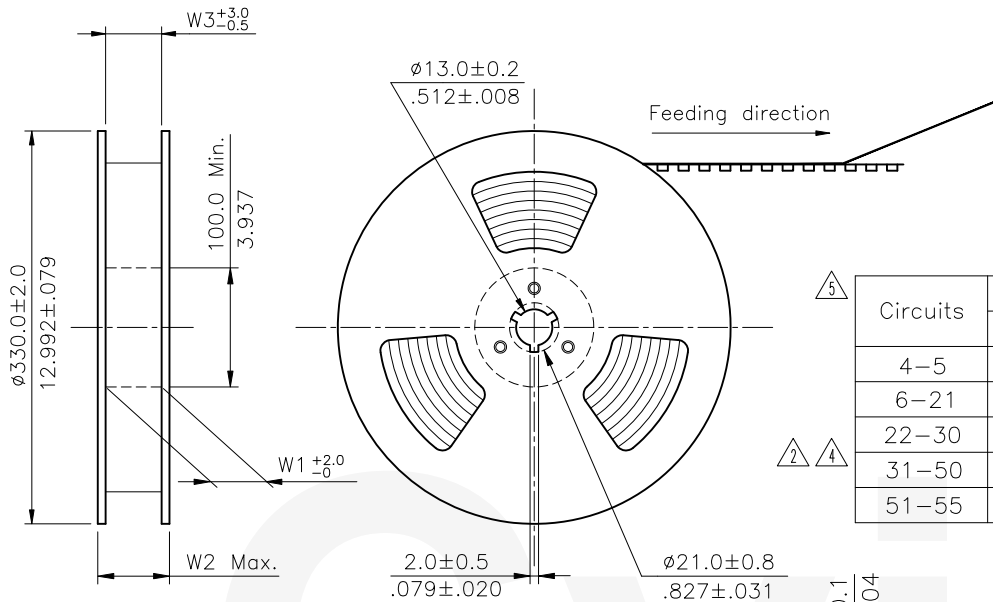
Halogen-Free  
 Lead Free Process  
 RoHS Compliant

⑤	Yushu	7/04-19'	ECRB119036/ECNT119159		DATE	UNIT: mm / inch	TITLE: 0.50mm(.031") ZIF FFC/FPC DOWNSIDE CONTACT SURFACE MOUNT CONNECTOR		 瀚荃股份有限公司 CviLux Corporation	DRAWING NO.	CF2006SF	PART NO.	CF20**1D0*0-NH
④	Karen	7/14-12'	ECR11040-1/ECN11179/ECN11192/ECN12157-0	DRAWN BY:	Yushu	7/04-19'	TOLERANCE UNLESS OTHERWISE SPECIFIED			SCALE	7 / 1	SHEET	1 OF 2
③	Karen	8/25-09'	ECN09434/ECR09116-0	ENGINEER:	Sun	7/11-19'	.X ± 0.15/.006	X' ± 1'	MATERIAL:				
②	Sandy	11/26-08'	ECN08577	CHECKED BY:	Eisley	7/12-19'	.XX ± 0.10/.004	.X ±	FINISH:				
SYM	NAME	DATE	REVISIONS	APPROVED BY:	Eisley	7/12-19'	.XXX ± 0.05/.002	.XX ±					

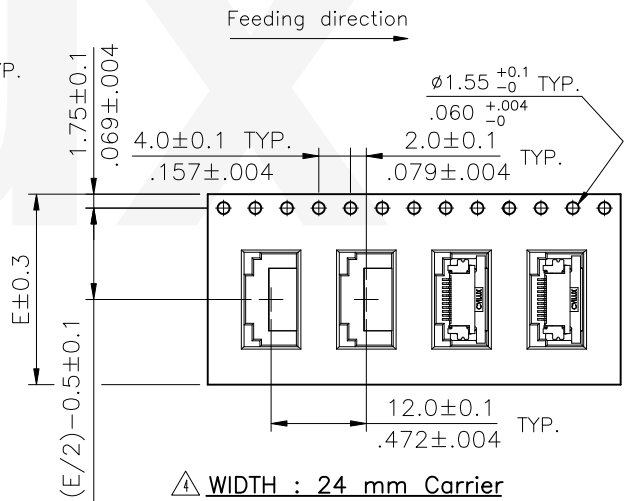
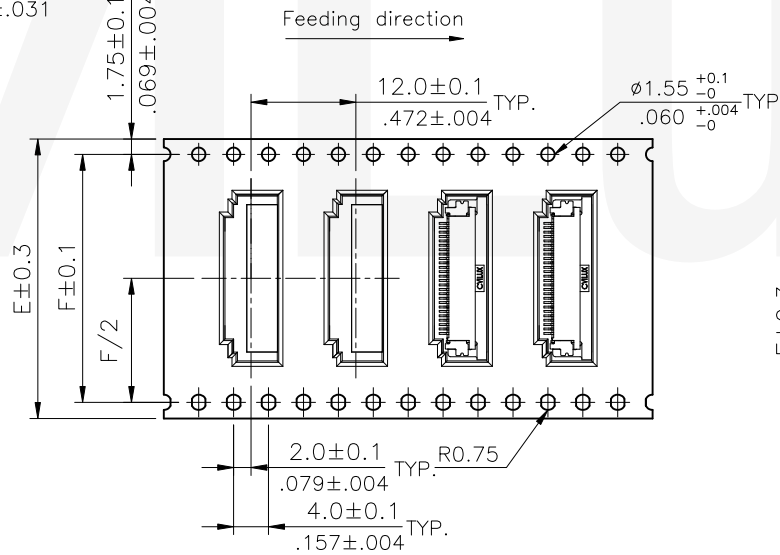
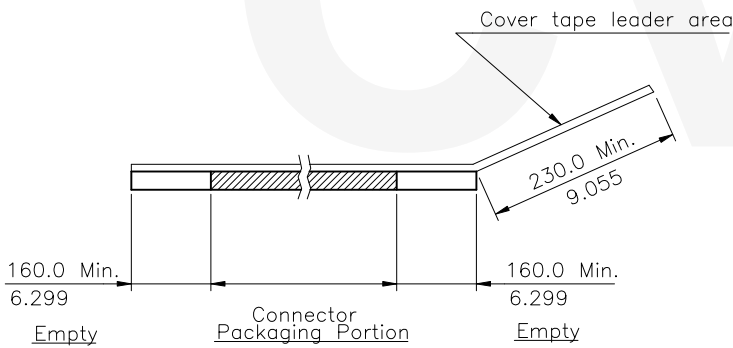
CVILUX CORP  
 2019.07.18  
 ISSUED

NOTE :

- △ \* Reel Material : Corrugated Paper
- \* Carrier Material : Clear, Conductive Polystyrene Alloy
- \* Cover Tape Material : Polyester
- \* Cover Tape Peel Strength : 0.1N – 1.3N
- \* Carrier camber is within 1mm in 100mm
- \* All dimensions meet EIA-481-2 & EIA-481-3 requirements.
- \* Quantity : 2000 PCS/Reel



Circuits	Dimension					Packing (Reel/Carton)
	E	F	W1	W2	W3	
4-5	16.0(.630)	-	16.5(.650)	22.5(.885)	16.5(.650)	11
6-21	24.0(.945)	-	24.5(.965)	30.5(1.200)	24.5(.965)	9
22-30	32.0(1.260)	28.40(1.118)	32.5(1.280)	38.5(1.516)	32.5(1.280)	7
31-50	44.0(1.732)	40.40(1.596)	44.5(1.752)	50.5(1.988)	44.5(1.752)	5
51-55	56.0(2.205)	52.40(2.063)	56.5(2.224)	62.5(2.461)	56.5(2.224)	4



△ WIDTH : 32,44,56 mm Carrier

△ WIDTH : 24 mm Carrier

RoHS Compliant

SYM	NAME	DATE	REVISIONS	APPROVED BY:	DATE	UNIT: mm / inch	TITLE: 0.50mm(.031") ZIF FFC/FPC DOWNSIDE CONTACT SURFACE MOUNT CONNECTOR	MATERIAL:	FINISH:	DRAWING NO.	PART NO.	SHEET 2 OF 2
△5	Yushu	7/04-19'	ECRB119036/ECNT119159		DATE	UNIT: mm / inch	0.50mm(.031") ZIF FFC/FPC DOWNSIDE CONTACT SURFACE MOUNT CONNECTOR	MATERIAL:	FINISH:	DRAWING NO. CF2006SF	PART NO. CF20**1D0*0-NH	SHEET 2 OF 2
△4	Karen	7/14-12'	ECR11040-1/ECN11179/ECN11192/ECN12157-0	DRAWN BY: Yushu	7/04-19'	TOLERANCE UNLESS OTHERWISE SPECIFIED						
△3	Karen	8/25-09'	ECN09434/ECR09116-0	ENGINEER: Sun	7/11-19'	.X ± X' ± I'						
△2	Sandy	11/26-08'	ECN08577	CHECKED BY: Eisley	7/12-19'	.XX ± .X ±						
				APPROVED BY: Eisley	7/12-19'	.XXX ± .XX ±						

**CIVILUX CORP**  
2019.07.18  
ISSUED

瀚荃股份有限公司  
CviLux Corporation