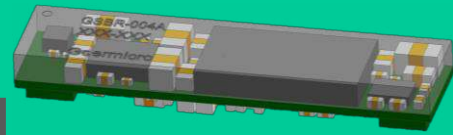


GGBR-004A

[Ultra-Small Smart Glasses Module]

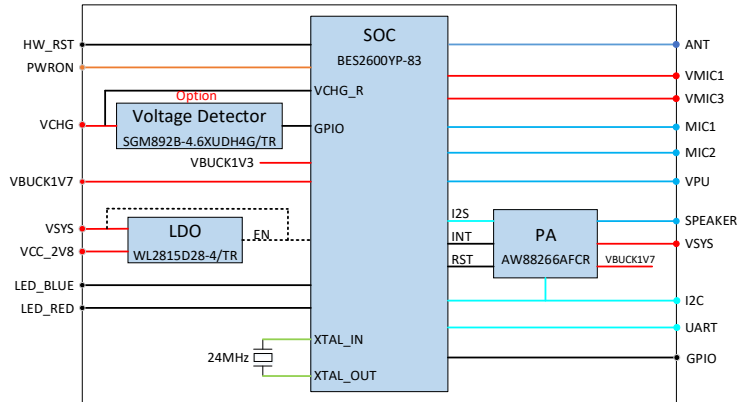


Fully Integrated BT Audio SiP Solution for Smart Glasses

Goermicro GGBR-004A module is based on System in Package (SiP) technology which consists of a BES BES2600YP, Audio amplifier, LDO, Crystal and some other passive components. The SiP package technology combines several chipsets and many passive components. It significantly reduces the size of the product and provides more features in the same space for Truly Wireless Audio module.

Features

- Dual-mode BT5.3 with LE audio
- Support ANC
- Flash: 8MB
- Package Size: 17.265 x 4 x 2.344mm³
- External interconnection mode: interposer
- Weight: 0.36g
- Supply Voltage Range : 3.1V ~ 5.5V
- Operating Temp. Range : -40~ +85°C



Descriptions

Item	Value	Unit
Current Consumption		
Broadcast	3	mA
Shutdown	4	uA
Receiver		
BR Sensitivity	-94	dBm
BLE 1M Sensitivity	-98	dBm
BLE 2M Sensitivity	-94	dBm
Transmitter		
BR Maximum RF transmit power	16	dBm
BLE 1M Maximum RF transmit power	16	dBm
BLE 2M Maximum RF transmit power	16	dBm
Audio characteristics		
SNR	74	dB
THD+N	-54	dB

