

2822390-1 ✓ ACTIVE



Econoseal

TE Internal #: 2822390-1

Housing for Female Terminals, Wire-to-Wire, 3 Position, .189 in [4.8 mm] Centerline, Sealable, Black, Signal, Cable Mount (Free-Hanging), Econoseal

[View on TE.com >](#)

Connectors > Automotive Connectors > Automotive Housings > ECONOSEAL, CONNECTOR HOUSING



Connector System: **Wire-to-Wire**

Number of Positions: **3**

Connector & Housing Type: **Housing for Female Terminals**

Centerline (Pitch): **4.8 mm [.189 in]**

Sealable: **Yes**

[All ECONOSEAL, CONNECTOR HOUSING \(108\)](#)

Features

Product Type Features

Hybrid Connector	No
Connector Shape	Rectangular
Connector System	Wire-to-Wire
Connector & Housing Type	Housing for Female Terminals
Sealable	Yes
Primary Locking Feature	Integrated in Housing

Configuration Features

Number of Positions	3
Number of Rows	1

Body Features

Cable Exit Angle	180°
Primary Product Color	Black



Contact Features

Contact Size	1.8mm
Contact Type	Receptacle
Mating Tab Width	1.8 mm[.071 in]

Mechanical Attachment

Terminal Position Assurance	No
Strain Relief	Without
Mating Alignment Type	Polarization Slot
Mating Alignment	With
Connector Mounting Type	Cable Mount (Free-Hanging)

Housing Features

Housing Material	PBT
Centerline (Pitch)	4.8 mm[.189 in]

Dimensions

Connector Height	27.6 mm[1.086 in]
Product Width	22.8 mm[.897 in]
Product Length	25.4 mm[1 in]

Usage Conditions

Operating Temperature (Max)	70 °C, 75 °C, 80 °C, 85 °C, 90 °C, 100 °C, 105 °C[158 °F][167 °F][176 °F][185 °F][194 °F][212 °F][221 °F]
Operating Temperature Range	-30 – 105 °C[-22 – 221 °F]

Operation/Application

Circuit Application	Signal
---------------------	--------

Industry Standards

UL Flammability Rating	UL 94V-2
------------------------	----------

Packaging Features

Packaging Quantity	100
Packaging Method	Bag

Other

Connector Position Assurance Capable	No
--------------------------------------	----



Product Compliance

[For compliance documentation, visit the product page on TE.com>](#)

EU RoHS Directive 2011/65/EU	Compliant
EU ELV Directive 2000/53/EC	Compliant
China RoHS 2 Directive MIIT Order No 32, 2016	No Restricted Materials Above Threshold
EU REACH Regulation (EC) No. 1907/2006	Current ECHA Candidate List: JUNE 2023 (235) Candidate List Declared Against: JUNE 2023 (235) Does not contain REACH SVHC
Halogen Content	Not Low Halogen - contains Br or Cl > 900 ppm.
Solder Process Capability	Not applicable for solder process capability

Product Compliance Disclaimer

This information is provided based on reasonable inquiry of our suppliers and represents our current actual knowledge based on the information they provided. This information is subject to change. The part numbers that TE has identified as EU RoHS compliant have a maximum concentration of 0.1% by weight in homogenous materials for lead, hexavalent chromium, mercury, PBB, PBDE, DBP, BBP, DEHP, DIBP, and 0.01% for cadmium, or qualify for an exemption to these limits as defined in the Annexes of Directive 2011/65/EU (RoHS2). Finished electrical and electronic equipment products will be CE marked as required by Directive 2011/65/EU. Components may not be CE marked. Additionally, the part numbers that TE has identified as EU ELV compliant have a maximum concentration of 0.1% by weight in homogenous materials for lead, hexavalent chromium, and mercury, and 0.01% for cadmium, or qualify for an exemption to these limits as defined in the Annexes of Directive 2000/53/EC (ELV). Regarding the REACH Regulation, the information TE provides on SVHC in articles for this part number is based on the latest European Chemicals Agency (ECHA) 'Guidance on requirements for substances in articles' posted at this URL: <https://echa.europa.eu/guidance-documents/guidance-on-reach>

Compatible Parts

 <p>TE Part # 174359-2 070 ECONOSEAL MARK-2 CAP 3P</p>	 <p>TE Part # 174358-7 070 ECONOSEAL MARK-2 P/PLUG 3P</p>	 <p>TE Part # 1-174358-1 E-J MK-2 PLUG HSG 3P NATURAL</p>
---	--	--

Also in the Series | Econoseal



Automotive Connector Caps & Covers (1)



Automotive Connector Locks & Position Assurance(25)



Automotive Housings(105)



Automotive Terminals(48)



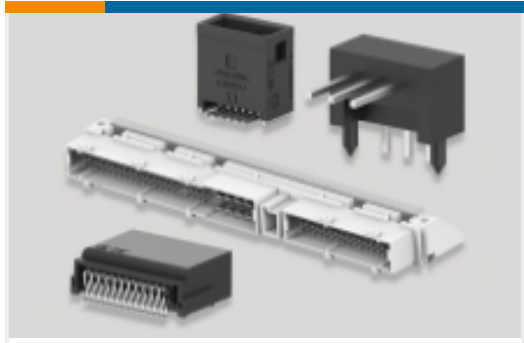
Connector Seals & Cavity Plugs(19)



Insertion & Extraction Tools(7)



Other Automotive Connector Accessories(5)

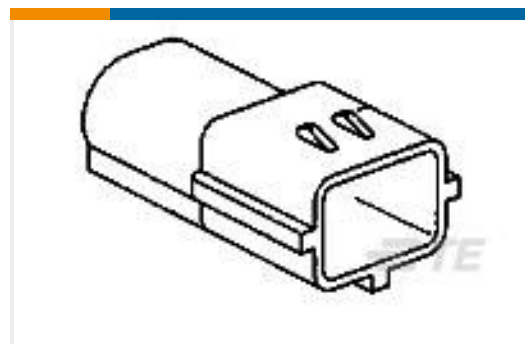


PCB Headers & Receptacles(4)



Primary Wire(1)

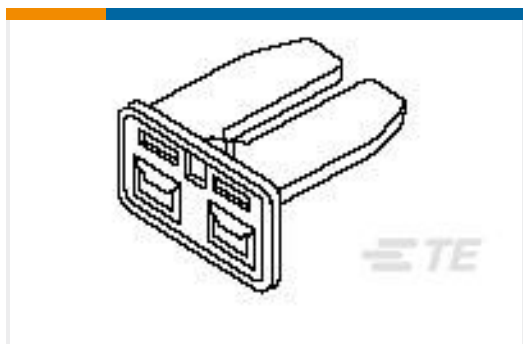
Customers Also Bought



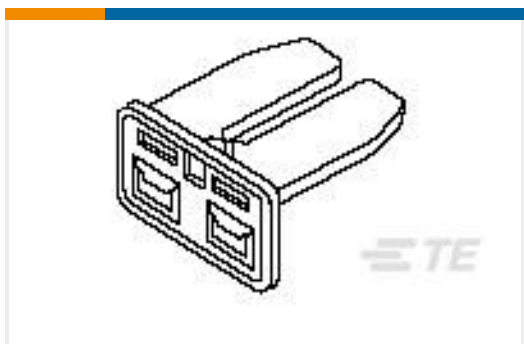
TE Part #174359-2
070 ECONOSEAL MARK-2 CAP 3P



TE Part #171699-1
Econoseal Receptacles and Tabs



TE Part #174358-7
070 ECONOSEAL MARK-2 P/PLUG 3P



TE Part #1-174358-1
E-J MK-2 PLUG HSG 3P NATURAL



TE Part #2822354-1
070 TYPE RUBBER PLUG



TE Part #2822352-1
070 TYPE RUBBER PLUG



TE Part #NB18922001
RNF-100-1/16-YO-STK



TE Part #2-2109431-2
PCU SLD 91P PLUG ASSY(B-LH) IS



Documents

Product Drawings

[070 ECONOSEAL MARK-2 PLUG 3P BLACK](#)

Japanese

CAD Files

[3D PDF](#)

3D

Customer View Model

[ENG_CVM_CVM_2822390-1_A.2d_dxf.zip](#)

English

Customer View Model

[ENG_CVM_CVM_2822390-1_A.3d_igs.zip](#)

English

Customer View Model

[ENG_CVM_CVM_2822390-1_A.3d_stp.zip](#)

English

By downloading the CAD file I accept and agree to the [Terms and Conditions](#) of use.

Datasheets & Catalog Pages

[Econoseal Connector Series](#)

English

Product Specifications

[Product Specification](#)

English

[Product Specification](#)

Japanese

Agency Approvals

[Agency Approval Document](#)

English