

# ME-IO 56,4 EB 10U TBUS 7035 - Mounting base housing

1159013

<https://www.phoenixcontact.com/pc/products/1159013>

Please be informed that the data shown in this PDF document is generated from our online catalog. Please find the complete data in the user documentation. Our general terms of use for downloads are valid.



DIN rail housing, Lower housing part with metal foot catch, with vents, width: 56.88 mm, height: 120.6 mm, depth: 82.85 mm, color: light grey (7035), cross connection: DIN rail connector (optional), number of positions cross connector: 5 or 8

## Your advantages

- Easy, tool-free mounting
- Optional DIN rail connector for easy module-to-module communication
- Lock and Release principle for automatic latching and intuitive release of the front connection plug
- Plastic in accordance with UL94 V0: for more rigorous flammability requirements
- Versatile use: deeper design for more PCB space
- Wide design: ideal for integrating TFT displays for controllers
- Greater flexibility: combination with ICS series electronics housing using DIN rail connectors

## Commercial data

|                                      |               |
|--------------------------------------|---------------|
| Item number                          | 1159013       |
| Packing unit                         | 10 pc         |
| Minimum order quantity               | 10 pc         |
| Product key                          | ACHEBA        |
| GTIN                                 | 4063151166519 |
| Weight per piece (including packing) | 65.5 g        |
| Weight per piece (excluding packing) | 65.5 g        |
| Customs tariff number                | 85389099      |
| Country of origin                    | CN            |

# ME-IO 56,4 EB 10U TBUS 7035 - Mounting base housing

1159013

<https://www.phoenixcontact.com/pc/products/1159013>

## Technical data

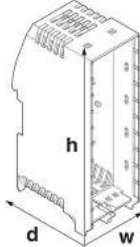
### Notes

|         |   |
|---------|---|
| General | Refer to the data sheet for the range in the download area.           |
| General | Material of contact pads for bus connector, galvanic gold (hard gold) |

### Product properties

|                              |  |
|------------------------------|--|
| Product type                 | Enclosure bottom part                    |
| Type                         | Lower housing part with metal foot catch |
| Housing type                 | DIN rail housing                         |
| Ventilation openings present | yes                                      |
| Housing series               | ME-IO                                    |

### Dimensions

|                                 |   |
|---------------------------------|---|
| Dimensional drawing             |  |
| Width                           | 56.88 mm  |
| Height                          | 120.6 mm  |
| Depth                           | 82.85 mm  |
| Depth from top edge of DIN rail | 76.25 mm  |

### PCB design

|               |                   |
|---------------|-------------------|
| PCB thickness | 1.4 mm ... 1.8 mm |
|---------------|-------------------|

### Material specifications

|  |                   |
|--|-------------------|
| Color                                  | light grey (7035) |
| Flammability rating according to UL 94 | V0                |
| Surface characteristics                | untreated         |
| Housing material                       | Polyamide         |

### Environmental and real-life conditions

#### Power dissipation single housing for 20 °C

|                     |          |
|---------------------|----------|
| Ambient temperature | 20 °C    |
| Reduction factor    | 1        |
| Mounting position   | vertical |
| Power dissipation   | 28.8 W   |

# ME-IO 56,4 EB 10U TBUS 7035 - Mounting base housing



1159013

<https://www.phoenixcontact.com/pc/products/1159013>

## Power dissipation single housing for 30 °C

|                     |          |
|---------------------|----------|
| Ambient temperature | 30 °C    |
| Reduction factor    | 0.85     |
| Mounting position   | vertical |
| Power dissipation   | 24.6 W   |

## Power dissipation single housing for 40 °C

|                     |          |
|---------------------|----------|
| Ambient temperature | 40 °C    |
| Reduction factor    | 0.67     |
| Mounting position   | vertical |
| Power dissipation   | 19.4 W   |

## Power dissipation single housing for 50 °C

|                     |          |
|---------------------|----------|
| Ambient temperature | 50 °C    |
| Reduction factor    | 0.48     |
| Mounting position   | vertical |
| Power dissipation   | 14 W     |

## Power dissipation single housing for 60 °C

|                     |          |
|---------------------|----------|
| Ambient temperature | 60 °C    |
| Reduction factor    | 0.3      |
| Mounting position   | vertical |
| Power dissipation   | 8.9 W    |

## Vibration test

|                        |                             |
|------------------------|-----------------------------|
| Specification          | IEC 60068-2-6:2007-12       |
| Frequency              | 10 - 150 - 10 Hz            |
| Sweep speed            | 1 octave/min                |
| Amplitude              | 0.15 mm (10 Hz ... 58.1 Hz) |
| Acceleration           | 2g (58.1 Hz ... 150 Hz)     |
| Test duration per axis | 2.5 h                       |
| Test directions        | X-, Y- and Z-axis           |

## Glow-wire test

|                  |                        |
|------------------|------------------------|
| Specification    | IEC 60695-2-11:2014-02 |
| Temperature      | 850 °C                 |
| Time of exposure | 30 s                   |

## Thermal stability / ball thrust test

|               |                        |
|---------------|------------------------|
| Specification | IEC 60695-10-2:2014-02 |
| Temperature   | 125 °C                 |
| Test duration | 1 h                    |
| Force         | 20 N                   |

## Mechanical strength / tumbling barrel

|                |                        |
|----------------|------------------------|
| Specification  | IEC 60068-2-31:2008-05 |
| Height of fall | 50 cm                  |

# ME-IO 56,4 EB 10U TBUS 7035 - Mounting base housing



1159013

<https://www.phoenixcontact.com/pc/products/1159013>

|           |    |
|-----------|----|
| Frequency | 50 |
|-----------|----|

## Shocks

|                                |                                   |
|--------------------------------|-----------------------------------|
| Specification                  | IEC 60068-2-27:2008-02            |
| Pulse shape                    | Semi-sinusoidal                   |
| Acceleration                   | 15g                               |
| Shock duration                 | 11 ms                             |
| Number of shocks per direction | 3                                 |
| Test directions                | X-, Y- and Z-axis (pos. and neg.) |

## Test for substances that would hinder coating with paint or varnish

|               |                    |
|---------------|--------------------|
| Specification | VDMA 24364:2018-05 |
|---------------|--------------------|

## Degree of protection (IP code)

|               |   |
|---------------|---|
| Specification | IEC 60529:1989-11 + AMD 1:1999-11 + AMD 2:2013-08 |
|---------------|---|

## Ambient conditions

|   |  |
|---|--|
| Max. IP code to attain                  | IP20   |
| Ambient temperature (operation)         | -40 °C ... 105 °C (depending on power dissipation) |
| Ambient temperature (storage/transport) | -40 °C ... 55 °C                                   |
| Ambient temperature (assembly)          | -5 °C ... 100 °C                                   |
| Relative humidity (storage/transport)   | 80 %   |

## PCB data

|                       |                       |
|-----------------------|-----------------------|
| Number of PCB holders | 3                     |
| Type of PCB mount     | Latching              |
| Total PCB surface     | 25500 mm <sup>2</sup> |
| Thickness of the PCB  | 1.4 mm ... 1.8 mm     |

## Mounting

|                   |                                |
|-------------------|--------------------------------|
| Mounting type     | DIN rail mounting              |
| Mounting position | Vertical (horizontal DIN rail) |

## Packaging specifications

|                      |                     |
|----------------------|---------------------|
| Type of packaging    | packed in cardboard |
| Outer packaging type | Carton              |

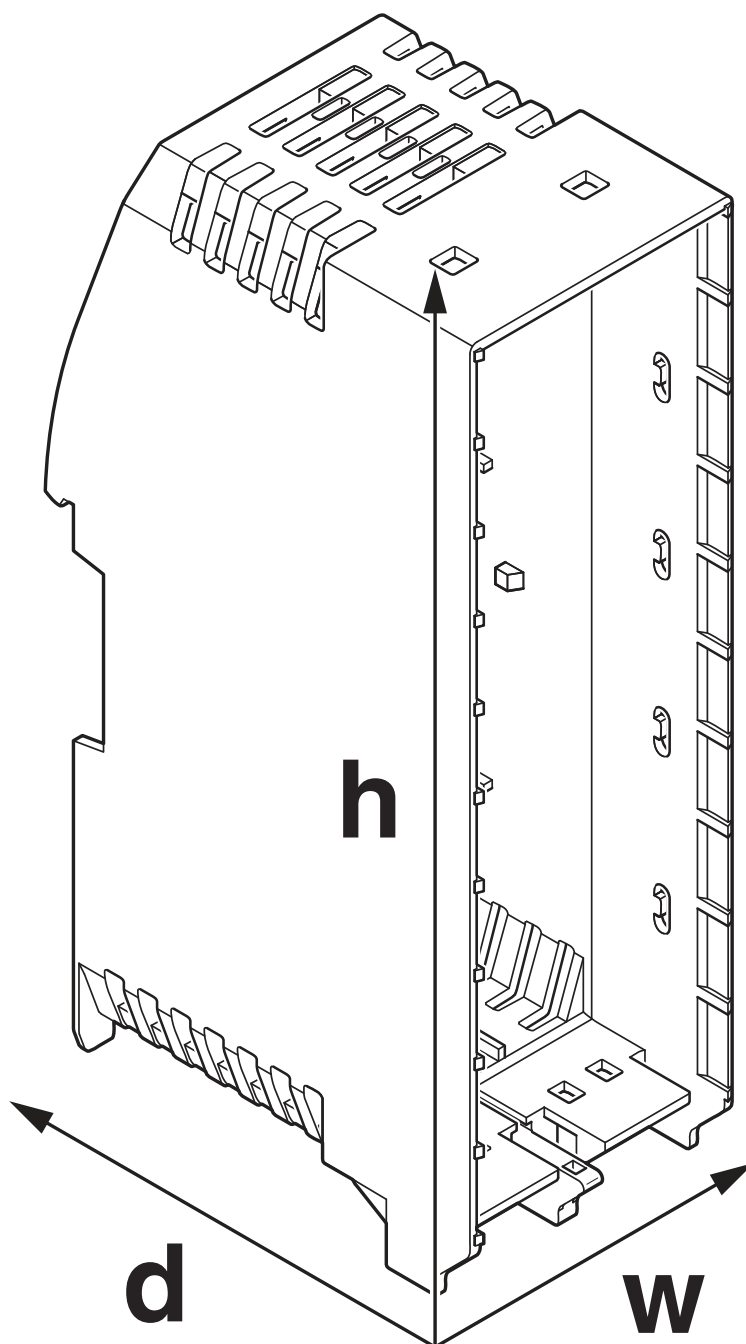
# ME-IO 56,4 EB 10U TBUS 7035 - Mounting base housing

1159013

<https://www.phoenixcontact.com/pc/products/1159013>

## Drawings

Dimensional drawing



Schematic figure for illustrating the item dimensions. The figure is not of the desired product. For further details, refer to the product drawings in the "Downloads" tab.

# ME-IO 56,4 EB 10U TBUS 7035 - Mounting base housing



1159013

<https://www.phoenixcontact.com/pc/products/1159013>

## Approvals

To download certificates, visit the product detail page: <https://www.phoenixcontact.com/pc/products/1159013>



**UL Recognized**

Approval ID: FILE E 240868

# ME-IO 56,4 EB 10U TBUS 7035 - Mounting base housing



1159013

<https://www.phoenixcontact.com/pc/products/1159013>

## Classifications

### ECLASS

|             |          |
|-------------|----------|
| ECLASS-11.0 | 27182702 |
| ECLASS-13.0 | 27190601 |

### ETIM

|          |          |
|----------|----------|
| ETIM 8.0 | EC001031 |
|----------|----------|

### UNSPSC

|             |          |
|-------------|----------|
| UNSPSC 21.0 | 31261500 |
|-------------|----------|

# ME-IO 56,4 EB 10U TBUS 7035 - Mounting base housing



1159013

<https://www.phoenixcontact.com/pc/products/1159013>

## Environmental product compliance

|            |   |
|------------|---|
| China RoHS | Environmentally friendly use period: unlimited = EFUP-e |
|            | No hazardous substances above threshold values          |



# ME-IO 56,4 EB 10U TBUS 7035 - Mounting base housing

1159013

<https://www.phoenixcontact.com/pc/products/1159013>

## Accessories

### ME-IO 56,4 C 10U D2,4-TRG 7035 - Upper housing part with touch display

1209364

<https://www.phoenixcontact.com/pc/products/1209364>



DIN rail housing, 10U upper part, integrated 2.4" resistive touch display, resolution: 320 x 240 Pixel(s), interface: 4-wire SPI half duplex, Housing cover, width: 56.88 mm, height: 109.8 mm, depth: 29.5 mm, color: light grey (7035)

---

### ME-IO 56,4 C 10U D2,4-TRG 7035-VPE1 - Upper housing part with touch display

1225275

<https://www.phoenixcontact.com/pc/products/1225275>



DIN rail housing, 10U upper part, integrated 2.4" resistive touch display, interface: 4-wire SPI half duplex, Housing cover, width: 56.88 mm, height: 109.8 mm, depth: 29.5 mm, color: light grey (7035)

---

Phoenix Contact 2023 © - all rights reserved

<https://www.phoenixcontact.com>

PHOENIX CONTACT GmbH & Co. KG

Flachsmarktstraße 8

D-32825 Blomberg

+49 (0) 5235-3 00

[info@phoenixcontact.com](mailto:info@phoenixcontact.com)