

## TSSF212 SERIES

### 1/2" NPT EXTERNAL MOUNT WITH TEMPERATURE SENSING



The TSSF212 series is a compact external fitting device, via 1/2" NPT thread, with a high specification thermistor so capable of sensing both liquid level and temperature.

The device does not require access to the inside of the tank.

Application of the product is typically used in the pharmaceutical industry, food and beverage and dairies industry, as well as biofuel industry.

They are manufactured in stainless steel, to suit most commonly used liquids.

The switch action may be reversed by rotating the device through 180°.

#### Features

- Compact design with temperature sensing
- 1/2" NPT thread for external mount
- 25VA & 100VA versions
- Float material SS 316, stem material SS 304
- N/O or N/C switching action
- Temperature measurement from -20°C to +120°C

## SPECIFICATIONS

### Technical

<b>Mounting Style</b>	External
<b>Mounting Thread</b>	1/2" NPT
<b>Float &amp; Stem Material</b>	SS 316 & SS 304
<b>Maximum Temperature</b>	-20°C to +120°C
<b>Maximum Pressure</b>	10 bar
<b>Float SG</b>	0.7
<b>Minimum Fluid SG</b>	0.8

### Electrical

		<b>25W (Y Code)</b>	<b>100W (H Code)</b>
<b>Contact Form</b>		N/O (N/C)	N/O (N/C)
<b>Switching Power Max</b>	VA	25	100
<b>Switching Voltage AC Max</b>	V	240	300
<b>Switching Voltage DC Max</b>	V	120	300
<b>Switching Current Max</b>	A	0.6	1

# Thermistor

<b>Nominal Temperature Resistance</b>	10k Ohm at 25°C
<b>Resistance Tolerance</b>	+/- 1% (25°C) to +/- 4.3% (120°C)
<b>Operating Temperature Range</b>	-20°C to +120°C
<b>Temperature Sensing Accuracy</b>	+/-0.2°C (0°C to +70°C)
<b>Beta Value</b>	3892K (0/50°C)
<b>Response Time</b>	<1 sec
<b>Dissipation Constant</b>	0.75mW/K

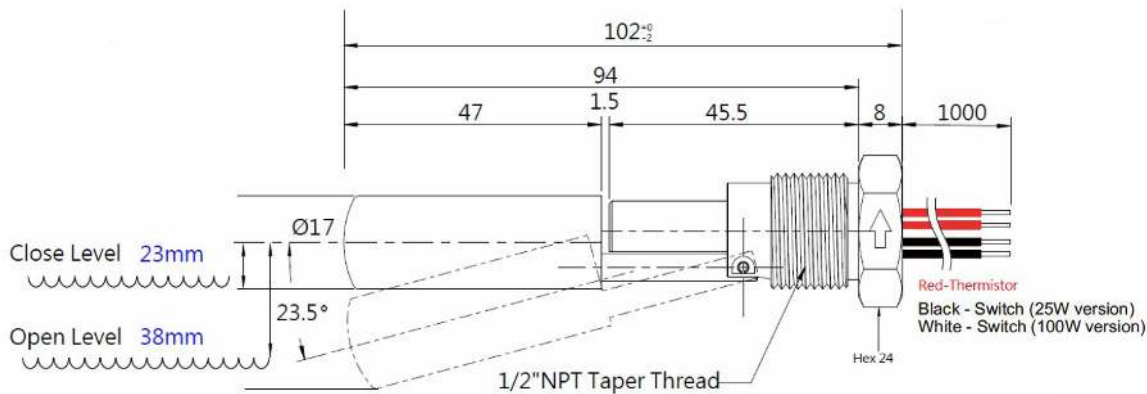
## STANDARD PARTS

	Temperature	Max Power	Leadouts	Output
<b>TSSF212H100</b>	-20°C to +120°C	100VA	100cm XLPE AWG 22	SPNO + Temp
<b>TSSF212Y100</b>	-20°C to +120°C	25VA	100cm XLPE AWG 22	SPNO + Temp

Custom versions can be made for particular applications. Please contact Sensata with your requirements.

## DIMENSIONS

All dimensions are in millimeters.



Made in the UK

Sensata Technologies, Inc. ("Sensata") data sheets are solely intended to assist designers ("Buyers") who are developing systems that incorporate Sensata products (also referred to herein as "components"). Buyer understands and agrees that Buyer remains responsible for using its independent analysis, evaluation and judgment in designing Buyer's systems and products. SENSATA DATA SHEETS ARE PROVIDED "AS IS". SENSATA MAKES NO WARRANTIES OR REPRESENTATIONS WITH REGARD TO THE DATA SHEETS OR USE OF THE DATA SHEETS, EXPRESS, IMPLIED OR STATUTORY, INCLUDING ACCURACY OR COMPLETENESS. SENSATA DISCLAIMS ANY WARRANTY OF TITLE AND ANY IMPLIED WARRANTIES OF MERCHANTABILITY, FITNESS FOR A PARTICULAR PURPOSE, QUIET ENJOYMENT, QUIET POSSESSION, AND NON-INFRINGEMENT OF ANY THIRD PARTY INTELLECTUAL PROPERTY RIGHTS WITH REGARD TO SENSATA DATA SHEETS OR USE THEREOF.

Buyers are authorized to use Sensata data sheets with the Sensata component(s) identified in each particular data sheet. HOWEVER, NO OTHER LICENSE, EXPRESS OR IMPLIED, BY ESTOPPEL OR OTHERWISE TO ANY OTHER SENSATA INTELLECTUAL PROPERTY RIGHT, AND NO LICENSE TO ANY THIRD PARTY TECHNOLOGY OR INTELLECTUAL PROPERTY RIGHT, IS GRANTED HEREIN. SENSATA ASSUMES NO LIABILITY FOR APPLICATIONS ASSISTANCE OR THE DESIGN OF BUYERS' PRODUCTS. BUYER ACKNOWLEDGES AND AGREES THAT IT IS SOLELY RESPONSIBLE FOR COMPLIANCE WITH ALL LEGAL, REGULATORY AND SAFETY-RELATED REQUIREMENTS CONCERNING ITS PRODUCTS, AND ANY USE OF SENSATA COMPONENTS IN ITS APPLICATIONS, NOTWITHSTANDING ANY APPLICATIONS-RELATED INFORMATION OR SUPPORT THAT MAY BE PROVIDED BY SENSATA.

All products are sold subject to Sensata's terms and conditions of sale supplied at [www.sensata.com](http://www.sensata.com) SENSATA ASSUMES NO LIABILITY FOR APPLICATIONS ASSISTANCE OR THE DESIGN OF BUYERS' PRODUCTS. BUYER ACKNOWLEDGES AND AGREES THAT IT IS SOLELY RESPONSIBLE FOR COMPLIANCE WITH ALL LEGAL, REGULATORY AND SAFETY-RELATED REQUIREMENTS CONCERNING ITS PRODUCTS, AND ANY USE OF SENSATA COMPONENTS IN ITS APPLICATIONS, NOTWITHSTANDING ANY APPLICATIONS-RELATED INFORMATION OR SUPPORT THAT MAY BE PROVIDED BY SENSATA.

Mailing Address: Sensata Technologies, Inc., 529 Pleasant Street, Attleboro, MA 02703, USA.

## CONTACT US

+44 (0)1202 897969  
 c3w\_sales@sensata.com  
 Cynergy3 Components Ltd.  
 7 Cobham Road,  
 Ferndown Industrial Estate,  
 Wimborne, Dorset,  
 BH21 7PE, United Kingdom