

Ceramic Bandpass Filter

BFCG-5600+

50Ω 5150 to 5990 MHz



Generic photo used for illustration purposes only

CASE STYLE: GE0805C-3

Features

- Low loss < 2.0 dB typ.
- Rejection up to 16 GHz
- Small size (0.079" x 0.049" x 0.037")
- Temperature stable
- Hermetically sealed

+RoHS Compliant
The +Suffix identifies RoHS Compliance. See our web site for RoHS Compliance methodologies and qualifications

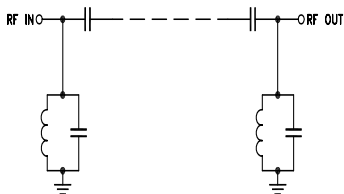
Applications

- Harmonic Rejection
- Transmitters / Receivers
- WiFi / WLAN

Electrical Specifications at 25°C

Parameter	F#	Frequency (MHz)	Min.	Typ.	Max.	Unit	
Pass Band	Center Frequency	—		5600		dB	
	Insertion Loss	F1 - F2	5150 - 5990	—	1.2	2.2	dB
	VSWR	F1 - F2	5150 - 5990	—	1.6	—	:1
Stop Band, Lower	Insertion Loss	DC - F3	DC - 4200	—	25	—	dB
	VSWR	DC - F3	DC - 4200	—	30	—	:1
Stop Band, Upper	Insertion Loss	F4 - F5	9310 - 15750	—	20	—	dB
	VSWR	F4 - F5	9310 - 15750	—	40	—	:1

Functional Schematic



Maximum Ratings

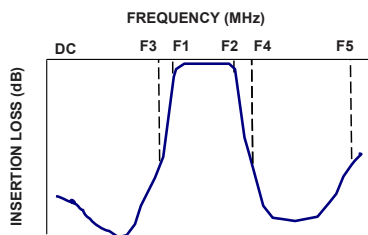
Operating Temperature	-40°C to 85°C
Storage Temperature ¹	-55°C to 100°C
RF Power Input ²	0.5W at 25°C

1. 12 months max.

2. Passband rating, derate linearly to 0.125W at 85°C ambient

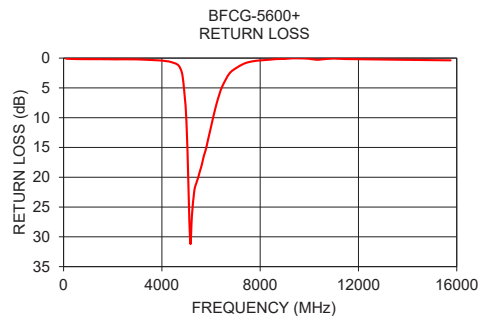
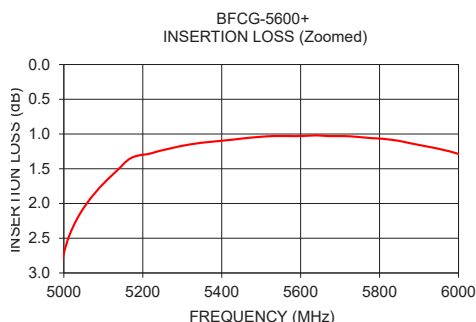
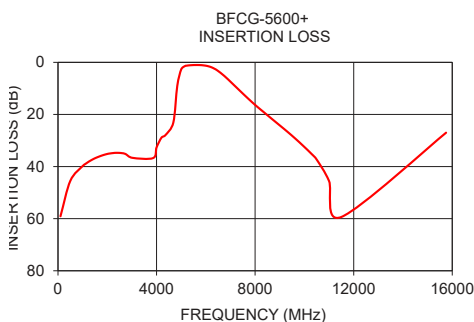
Permanent damage may occur if any of these limits are

Typical Frequency Response



Typical Performance Data at 25°C

Frequency (MHz)	Insertion Loss (dB)	VSWR (:1)
100	59.09	174.29
500	45.49	110.80
1000	39.81	95.13
2510	34.76	86.40
3020	36.65	78.27
4200	28.90	32.67
4840	9.06	5.90
5150	1.44	1.06
5990	1.27	1.70
6470	3.13	3.83
8030	16.59	46.23
9310	26.63	386.49
10300	35.24	61.58
11500	59.35	109.64
15750	27.00	45.89



Notes

A. Performance and quality attributes and conditions not expressly stated in this specification document are intended to be excluded and do not form a part of this specification document.

B. Electrical specifications and performance data contained in this specification document are based on Mini-Circuit's applicable established test performance criteria and measurement instructions.

C. The parts covered by this specification document are subject to Mini-Circuits standard limited warranty and terms and conditions (collectively, "Standard Terms"); Purchasers of this part are entitled to the rights and benefits contained therein. For a full statement of the Standard Terms and the exclusive rights and remedies thereunder, please visit Mini-Circuits' website at www.minicircuits.com/MCLStore/terms.jsp



www.minicircuits.com P.O. Box 350166, Brooklyn, NY 11235-0003 (718) 934-4500 sales@minicircuits.com

REV. A
M151107
ED-15034
BFCG-5600+
WZ/CP/AM
200611

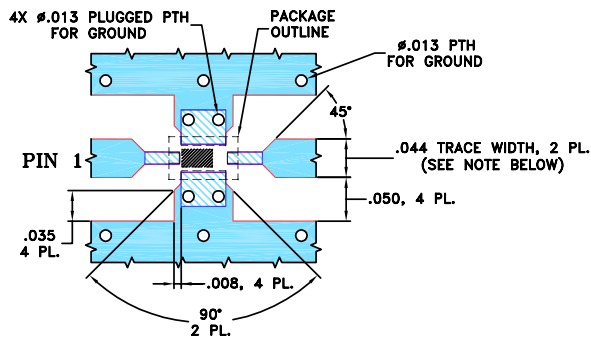
Page 1 of 2

Pad Connections

INPUT	1
OUTPUT	3
GROUND	2,4

Product Marking: N/A

Evaluation Board MCL P/N: TB-703+
Suggested PCB Layout (PL-397)



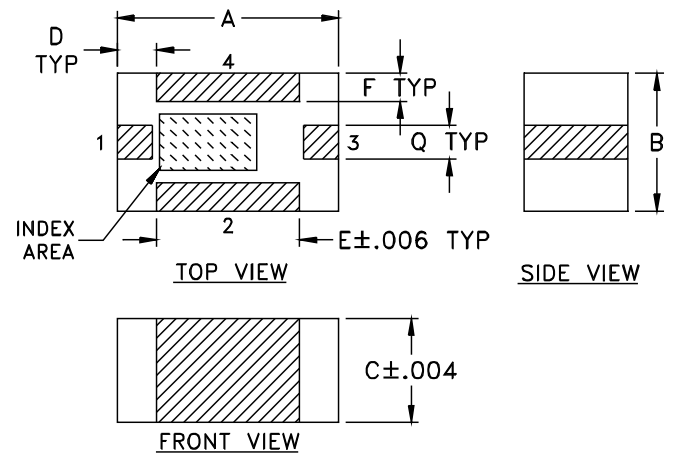
NOTES:

- TRACE WIDTH IS SHOWN FOR ROGERS R04350B WITH DIELECTRIC THICKNESS $.020 \pm .0015$ ". COPPER: 1/2 OZ. EACH SIDE. FOR OTHER MATERIALS TRACE WIDTH AND GAP MAY NEED TO BE MODIFIED.
- BOTTOM SIDE OF THE PCB IS CONTINUOUS GROUND PLANE.

DENOTES PCB COPPER LAYOUT WITH SMOBC (SOLDER MASK OVER BARE COPPER).

DENOTES COPPER LAND PATTERN FREE OF SOLDER MASK.

Outline Drawing



Outline Dimensions ($\frac{\text{inch}}{\text{mm}}$)

A	B	C	D	E	F	Q	wt
.079	.049	.037	.014	.051	.010	.012	grams
2.01	1.24	0.94	0.36	1.30	0.25	0.30	.020

Notes

- Performance and quality attributes and conditions not expressly stated in this specification document are intended to be excluded and do not form a part of this specification document.
- Electrical specifications and performance data contained in this specification document are based on Mini-Circuit's applicable established test performance criteria and measurement instructions.
- The parts covered by this specification document are subject to Mini-Circuits standard limited warranty and terms and conditions (collectively, "Standard Terms"); Purchasers of this part are entitled to the rights and benefits contained therein. For a full statement of the Standard Terms and the exclusive rights and remedies thereunder, please visit Mini-Circuits' website at www.minicircuits.com/MCLStore/terms.jsp