

**FEATURES**
**High performance**

- Pseudo differential analog input range**  
0 V to  $V_{REF}$  with  $V_{REF}$  between 2.9 V to 5 V
- Throughput: 1.33 MSPS**
- Zero latency architecture**
- 16-bit resolution with no missing codes**
- INL:  $\pm 0.6$  LSB typical,  $\pm 1.0$  LSB maximum**
- Dynamic range: 93 dB,  $V_{REF} = 5$  V**
- SNR: 92 dB at  $f_{IN} = 1$  kHz,  $V_{REF} = 5$  V**
- THD:  $-115$  dB at  $f_{IN} = 1$  kHz,  $V_{REF} = 5$  V**
- SINAD: 92 dB at  $f_{IN} = 1$  kHz,  $V_{REF} = 5$  V**

**Low power dissipation**

- Single-supply 2.5 V operation with 1.8 V/2.5 V/3 V/5 V logic interface**
- 5.25 mW at 1.33 MSPS (VDD only)**
- 10.5 mW at 1.33 MSPS (total)**
- 80  $\mu$ W at 10 kSPS**

**Proprietary serial interface**

- SPI-/QSPI™-/MICROWIRE™-/DSP-compatible<sup>1</sup>**
- Daisy-chain multiple ADCs and busy indicator**
- 10-lead MSOP and 10-lead, 3 mm  $\times$  3 mm LFCSP**
- Wide operating temperature range:  $-40^{\circ}$ C to  $+85^{\circ}$ C**

**APPLICATIONS**

- Automated test equipment**
- Data acquisition systems**
- Medical instruments**
- Machine automation**

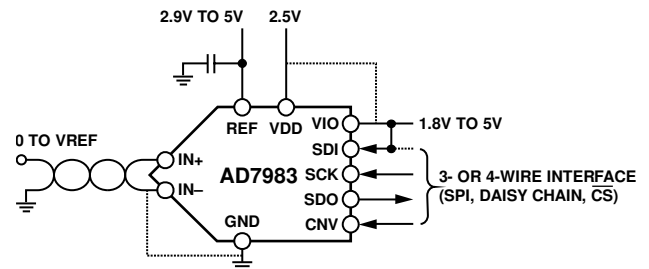
**APPLICATION DIAGRAM**


Figure 1.

**GENERAL DESCRIPTION**

The **AD7983** is a 16-bit, successive approximation, analog-to-digital converter (ADC) that operates from a single power supply, VDD. It contains a low power, high speed, 16-bit sampling ADC and a versatile serial interface port. On the CNV rising edge, it samples an analog input IN+ between 0 V to REF with respect to a ground sense IN-. The reference voltage, REF, is applied externally and can be set independent of the supply voltage, VDD. Its power scales linearly with throughput.

The SPI-compatible serial interface also features the ability, using the SDI input, to daisy-chain several ADCs on a single, 3-wire bus and provides an optional busy indicator. It is compatible with 1.8 V, 2.5 V, 3 V, or 5 V logic, using the separate supply VIO.

The **AD7983** is housed in a 10-lead MSOP or a 10-lead LFCSP with operation specified from  $-40^{\circ}$ C to  $+85^{\circ}$ C

<sup>1</sup> Protected by U.S. Patent 6,703,961.

**Table 1. MSOP, LFCSP 16-/18-/20-Bit Precision SAR ADCs and SAR ADC-Based  $\mu$ Module Data Acquisition Solutions**

| Type                | $\leq 100$ kSPS                           | $\leq 250$ kSPS               | $\leq 500$ kSPS   | $\leq 1000$ kSPS  | $\leq 2000$ kSPS    | $\mu$ Module Data Acquisition Solutions |
|---------------------|---|-------------------------------|---|---|---------------------|---|
| Differential        |   |                               |   |   |                     |   |
| 20-Bit              |   |                               | AD4022 <sup>1</sup>   | AD4021 <sup>1</sup>   | AD4020 <sup>1</sup> |   |
| 18-Bit              | AD7989-1 <sup>1</sup>                     | AD7691 <sup>1</sup>           | AD4011 <sup>1</sup><br>AD7690 <sup>1</sup><br>AD7989-5 <sup>1</sup> | AD4007 <sup>1</sup><br>AD7982 <sup>1</sup><br>AD7984 <sup>1</sup> | AD4003 <sup>1</sup> |   |
| 16-Bit              | AD7684                                    | AD7687 <sup>1</sup>           | AD7688 <sup>1</sup><br>AD7693 <sup>1</sup><br>AD7916 <sup>1</sup>   | AD4005 <sup>1</sup><br>AD7915 <sup>1</sup>                        | AD4001 <sup>1</sup> |   |
| Pseudo Differential |   |                               |   |   |                     |   |
| 18-Bit              |   |                               | AD4010 <sup>1</sup>   | AD4006 <sup>1</sup>   | AD4002 <sup>1</sup> |   |
| 16-Bit              | AD7988-1 <sup>1</sup><br>AD7680<br>AD7683 | AD7685 <sup>1</sup><br>AD7694 | AD4008 <sup>1</sup><br>AD7988-5 <sup>1</sup><br>AD7686 <sup>1</sup> | AD4004 <sup>1</sup><br>AD7980 <sup>1</sup><br>AD7983 <sup>1</sup> | AD4000 <sup>1</sup> | ADAQ7980<br>ADAQ7988                    |

<sup>1</sup> Pin for pin compatible.

**Rev. C**
**Document Feedback**

Information furnished by Analog Devices is believed to be accurate and reliable. However, no responsibility is assumed by Analog Devices for its use, nor for any infringements of patents or other rights of third parties that may result from its use. Specifications subject to change without notice. No license is granted by implication or otherwise under any patent or patent rights of Analog Devices. Trademarks and registered trademarks are the property of their respective owners.

## TABLE OF CONTENTS

|   |    |  |    |
|---|----|--|----|
| Features .....                                    | 1  | Analog Inputs .....  | 15 |
| Applications .....                                | 1  | Driver Amplifier Choice .....                                    | 15 |
| Application Diagram .....                         | 1  | Voltage Reference Input.....                                     | 16 |
| General Description .....                         | 1  | Power Supply .....   | 16 |
| Revision History .....                            | 2  | Digital Interface.....   | 17 |
| Specifications .....                              | 3  | $\overline{\text{CS}}$ MODE, 3-Wire Without Busy Indicator ..... | 18 |
| Timing Specifications .....                       | 5  | $\overline{\text{CS}}$ Mode, 3-Wire with Busy Indicator.....     | 19 |
| Absolute Maximum Ratings .....                    | 7  | $\overline{\text{CS}}$ Mode, 4-Wire Without Busy Indicator.....  | 20 |
| Thermal Resistance .....                          | 7  | $\overline{\text{CS}}$ Mode, 4-Wire with Busy Indicator.....     | 21 |
| ESD Caution.....                                  | 7  | Chain Mode Without Busy Indicator .....                          | 22 |
| Pin Configurations and Function Descriptions..... | 8  | Chain Mode with Busy Indicator.....                              | 23 |
| Typical Performance Characteristics.....          | 9  | Application Hints.....   | 24 |
| Terminology.....                                  | 12 | Layout .....   | 24 |
| Theory of Operation .....                         | 13 | Evaluating the Performance of the AD7983.....                    | 24 |
| Circuit Information .....                         | 13 | Outline Dimensions.....  | 25 |
| Converter Operation.....                          | 13 | Ordering Guide .....   | 25 |
| Typical Connection Diagram .....                  | 14 |  |    |

## REVISION HISTORY

### 6/2020—Rev. B to Rev. C

|   |    |
|---|----|
| Changes to Data Sheet Title, Features Section, Applications Section, General Description Section, and Table 1 ..... | 1  |
| Changes to Specifications Section and Endnote 1, Table 1 .....  | 3  |
| Change to Power Supplies Parameter, Table 3 .....   | 4  |
| Changes to Timing Specifications Section.....   | 5  |
| Added Endnote 1, Table 4.....   | 5  |
| Added Table 5; Renumbered Sequentially.....   | 6  |
| Deleted Figure 3; Renumbered Sequentially .....   | 6  |
| Changes to Table 6 .....  | 7  |
| Added Thermal Resistance Section and Table 7.....   | 7  |
| Changes to Figure 22 .....  | 14 |
| Changes to Driver Amplifier Choice Section and Table 10 .....   | 15 |
| Changes to Voltage Reference Input Section and Power Supply Section.....  | 16 |

### 7/2014—Rev. A to Rev. B

|   |    |
|---|----|
| Added Patent Endnote and Changes to Table 1 .....                 | 1  |
| Changed Standby Current from 0.35 nA to 1.1 mA .....              | 4  |
| Added EPAD Note.....  | 7  |
| Changes to Figure 21 .....  | 12 |
| Changes to Power Supply Section.....                              | 15 |
| Changes to Evaluating the Performance of the AD7983 Section ..... | 23 |
| Updated Outline Dimensions .....                                  | 24 |
| Changes to Ordering Guide.....                                    | 24 |

### 3/2010—Rev. 0 to Rev. A

|   |    |
|---|----|
| Deleted Endnote 1 from Features Section, General Description Section, and Table 1 ..... | 1  |
| Changes to Table 5 .....  | 6  |
| Deleted Endnote 1 from Figure 5 Caption .....   | 7  |
| Changes to Figure 21 .....  | 12 |
| Deleted Endnote 1 from Circuit Information Section .....                                | 12 |
| Changes to Figure 41 Caption .....  | 24 |
| Changes to Ordering Guide.....  | 24 |

### 11/2007—Revision 0: Initial Version

## SPECIFICATIONS

VDD = 2.5 V, VIO = 1.71 V to 5.5 V, REF = 5 V, TA = -40°C to +85°C, unless otherwise noted.

Table 2.

| Parameter   | Conditions                | Min                           | Typ   | Max                    | Unit             |
|---|---------------------------|-------------------------------|-------|------------------------|------------------|
| RESOLUTION  |                           | 16                            |       |                        | Bits             |
| ANALOG INPUT  |                           |                               |       |                        |                  |
| Voltage Range   | IN+ – IN–                 | 0                             |       | V <sub>REF</sub>       | V                |
| Absolute Input Voltage  | IN+                       | -0.1                          |       | V <sub>REF</sub> + 0.1 | V                |
|   | IN–                       | -0.1                          |       | +0.1                   | V                |
| Analog Input CMRR   | f <sub>IN</sub> = 100 kHz |                               | 60    |                        | dB <sup>1</sup>  |
| Leakage Current @ 25°C  | Acquisition phase         |                               | 1     |                        | nA               |
| Input Impedance   |                           | See the Analog Inputs section |       |                        |                  |
| ACCURACY  |                           |                               |       |                        |                  |
| No Missing Codes  |                           | 16                            |       |                        | Bits             |
| Differential Linearity Error                                  |                           | -0.9                          | ±0.4  | +0.9                   | LSB <sup>2</sup> |
| Integral Linearity Error                                      |                           | -1.0                          | ±0.6  | +1.0                   | LSB <sup>2</sup> |
| Transition Noise  |                           |                               | 0.52  |                        | LSB <sup>2</sup> |
| Gain Error, T <sub>MIN</sub> to T <sub>MAX</sub> <sup>3</sup> |                           |                               | ±2    |                        | LSB <sup>2</sup> |
| Gain Error Temperature Drift                                  |                           |                               | ±0.41 |                        | ppm/°C           |
| Zero Error, T <sub>MIN</sub> to T <sub>MAX</sub> <sup>3</sup> |                           | -0.9                          | ±0.44 | +0.9                   | mV               |
| Zero Temperature Drift  |                           |                               | 0.54  |                        | ppm/°C           |
| Power Supply Sensitivity                                      | VDD = 2.5 V ± 5%          |                               | ±0.1  |                        | LSB <sup>2</sup> |
| THROUGHPUT  |                           |                               |       |                        |                  |
| Conversion Rate   |                           | 0                             |       | 1.33                   | MSPS             |
| Transient Response  | Full-scale step           |                               |       | 290                    | ns               |
| AC ACCURACY   |                           |                               |       |                        |                  |
| Dynamic Range   |                           |                               | 93    |                        | dB <sup>1</sup>  |
| Signal-to-Noise Ratio, SNR                                    | f <sub>IN</sub> = 1 kHz   | 90.5                          | 92    |                        | dB <sup>1</sup>  |
| Spurious-Free Dynamic Range, SFDR                             | f <sub>IN</sub> = 10 kHz  |                               | 114   |                        | dB <sup>1</sup>  |
| Total Harmonic Distortion, THD                                | f <sub>IN</sub> = 10 kHz  |                               | -115  |                        | dB <sup>1</sup>  |
| Signal-to-(Noise + Distortion), SINAD                         | f <sub>IN</sub> = 10 kHz  |                               | 91.6  |                        | dB <sup>1</sup>  |

<sup>1</sup> All specifications in dB are referred to a full-scale range (FSR). Tested with an input signal at 0.5 dB below full scale, unless otherwise specified.

<sup>2</sup> LSB means least significant bit. With the 5 V input range, 1 LSB is 76.3 μV.

<sup>3</sup> See the Terminology section. These specifications include full temperature range variation, but not the error contribution from the external reference.

VDD = 2.5 V, VIO = 1.71 V to 5.5 V, REF = 5 V, T<sub>A</sub> = -40°C to +85°C, unless otherwise noted.

Table 3.

| Parameter                       | Conditions                           | Min   | Typ  | Max       | Unit      |
|---------------------------------|--------------------------------------|---|------|-----------|-----------|
| REFERENCE                       |                                      |   |      |           |           |
| Voltage Range                   |                                      | 2.9   |      | 5.1       | V         |
| Load Current                    | 1.33 MSPS                            |   | 500  |           | μA        |
| SAMPLING DYNAMICS               |                                      |   |      |           |           |
| -3 dB Input Bandwidth           |                                      |   | 10   |           | MHz       |
| Aperture Delay                  |                                      |   | 2.0  |           | ns        |
| DIGITAL INPUTS                  |                                      |   |      |           |           |
| Logic Levels                    |                                      |   |      |           |           |
| V <sub>IL</sub>                 | VIO > 3 V                            | -0.3  |      | 0.3 × VIO | V         |
| V <sub>IH</sub>                 | VIO > 3 V                            | 0.7 × VIO   |      | VIO + 0.3 | V         |
| V <sub>IL</sub>                 | VIO ≤ 3 V                            | -0.3  |      | 0.1 × VIO | V         |
| V <sub>IH</sub>                 | VIO ≤ 3 V                            | 0.9 × VIO   |      | VIO + 0.3 | V         |
| I <sub>IL</sub>                 |                                      | -1  |      | +1        | μA        |
| I <sub>IH</sub>                 |                                      | -1  |      | +1        | μA        |
| DIGITAL OUTPUTS                 |                                      |   |      |           |           |
| Data Format                     |                                      | Serial 16 bits straight binary                                      |      |           |           |
| Pipeline Delay                  |                                      | Conversion results available immediately after completed conversion |      |           |           |
| V <sub>OL</sub>                 | I <sub>SINK</sub> = 500 μA           |   |      | 0.4       | V         |
| V <sub>OH</sub>                 | I <sub>SOURCE</sub> = -500 μA        | VIO - 0.3   |      |           | V         |
| POWER SUPPLIES                  |                                      |   |      |           |           |
| VDD                             |                                      | 2.375   | 2.5  | 2.625     | V         |
| VIO                             |                                      | 1.71  |      | 5.5       | V         |
| Standby Current <sup>1, 2</sup> | VDD and VIO = 2.5 V                  |   | 1.1  |           | mA        |
| Power Dissipation               | 1.33 MSPS throughput                 |   | 10.5 | 12        | mW        |
| Energy per Conversion           |                                      |   | 7.9  |           | nJ/sample |
| TEMPERATURE RANGE <sup>3</sup>  |                                      |   |      |           |           |
| Specified Performance           | T <sub>MIN</sub> to T <sub>MAX</sub> | -40   |      | +85       | °C        |

<sup>1</sup> With all digital inputs forced to VIO or GND as required.

<sup>2</sup> During the acquisition phase.

<sup>3</sup> Contact sales for extended temperature range.

## TIMING SPECIFICATIONS

VDD = 2.37 V to 2.63 V, VIO = 2.3 V to 5.5 V, TA = -40°C to +85°C, unless otherwise noted. See Figure 2 for load conditions.

Table 4.

| Parameter <sup>1</sup>   | Symbol               | Min  | Typ | Max | Unit |
|--|----------------------|------|-----|-----|------|
| Conversion Time: CNV Rising Edge to Data Available                                     | t <sub>CONV</sub>    | 300  |     | 500 | ns   |
| Acquisition Time   | t <sub>ACQ</sub>     | 250  |     |     | ns   |
| Time Between Conversions   | t <sub>CYC</sub>     | 750  |     |     | ns   |
| CNV Pulse Width ( $\overline{CS}$ Mode)  | t <sub>CNVH</sub>    | 10   |     |     | ns   |
| SCK Period ( $\overline{CS}$ Mode)   | t <sub>SCK</sub>     |      |     |     |      |
| VIO Above 4.5 V  |                      | 10.5 |     |     | ns   |
| VIO Above 3 V  |                      | 12   |     |     | ns   |
| VIO Above 2.7 V  |                      | 13   |     |     | ns   |
| VIO Above 2.3 V  |                      | 15   |     |     | ns   |
| SCK Period (Chain Mode)  | t <sub>SCK</sub>     |      |     |     |      |
| VIO Above 4.5 V  |                      | 11.5 |     |     | ns   |
| VIO Above 3 V  |                      | 13   |     |     | ns   |
| VIO Above 2.7 V  |                      | 14   |     |     | ns   |
| VIO Above 2.3 V  |                      | 16   |     |     | ns   |
| SCK Low Time   | t <sub>SCKL</sub>    | 4.5  |     |     | ns   |
| SCK High Time  | t <sub>SCKH</sub>    | 4.5  |     |     | ns   |
| SCK Falling Edge to Data Remains Valid   | t <sub>HSDO</sub>    | 3    |     |     | ns   |
| SCK Falling Edge to Data Valid Delay   | t <sub>DSDO</sub>    |      |     |     |      |
| VIO Above 4.5 V  |                      |      |     | 9.5 | ns   |
| VIO Above 3 V  |                      |      |     | 11  | ns   |
| VIO Above 2.7 V  |                      |      |     | 12  | ns   |
| VIO Above 2.3 V  |                      |      |     | 14  | ns   |
| CNV or SDI Low to SDO D15 MSB Valid ( $\overline{CS}$ Mode)                            | t <sub>EN</sub>      |      |     |     |      |
| VIO Above 3 V  |                      |      |     | 10  | ns   |
| VIO Above 2.3 V  |                      |      |     | 15  | ns   |
| CNV or SDI High or Last SCK Falling Edge to SDO High Impedance ( $\overline{CS}$ Mode) | t <sub>DIS</sub>     |      |     | 20  | ns   |
| SDI Valid Setup Time from CNV Rising Edge  | t <sub>SSDICNV</sub> | 5    |     |     | ns   |
| SDI Valid Hold Time from CNV Rising Edge ( $\overline{CS}$ Mode)                       | t <sub>HSDICNV</sub> | 2    |     |     | ns   |
| SDI Valid Hold Time from CNV Rising Edge (Chain Mode)                                  | t <sub>HSDICNV</sub> | 0    |     |     | ns   |
| SCK Valid Setup Time from CNV Rising Edge (Chain Mode)                                 | t <sub>SSCKCNV</sub> | 5    |     |     | ns   |
| SCK Valid Hold Time from CNV Rising Edge (Chain Mode)                                  | t <sub>HSCKCNV</sub> | 5    |     |     | ns   |
| SDI Valid Setup Time from SCK Falling Edge (Chain Mode)                                | t <sub>SSDISCK</sub> | 2    |     |     | ns   |
| SDI Valid Hold Time from SCK Falling Edge (Chain Mode)                                 | t <sub>HSDISCK</sub> | 3    |     |     | ns   |
| SDI High to SDO High (Chain Mode with Busy Indicator)                                  | t <sub>DSDOSDI</sub> |      |     | 15  | ns   |

<sup>1</sup> Timing parameters measured with respect to a falling edge are defined as triggered at x% VIO. Timing parameters measured with respect to a rising edge are defined as triggered at y% VIO. For VIO ≤ 3 V, x = 90 and y = 10. For VIO > 3 V, x = 70 and y = 30. The minimum V<sub>IH</sub> and maximum V<sub>IL</sub> are used. See the Digital Inputs Specifications in Table 2.

VDD = 2.37 V to 2.63 V, VIO = 1.71 to 2.3 V, T<sub>A</sub> = -40°C to +85°C, unless otherwise stated. See Figure 2 for load conditions.

Table 5.

| Parameter <sup>1</sup>   | Symbol                | Min | Typ | Max | Unit |
|--|-----------------------|-----|-----|-----|------|
| Throughput Rate  |                       |     |     | 833 | kSPS |
| Conversion Time: CNV Rising Edge to Data Available                                     | t <sub>CONV</sub>     | 300 |     | 500 | ns   |
| Acquisition Time   | t <sub>ACQ</sub>      | 250 |     |     | ns   |
| Time Between Conversions <sup>2</sup>  | t <sub>CYC</sub>      | 1.2 |     |     | μs   |
| CNV Pulse Width ( $\overline{CS}$ Mode)  | t <sub>CNVH</sub>     | 10  |     |     | ns   |
| SCK Period ( $\overline{CS}$ Mode)   | t <sub>SCK</sub>      | 22  |     |     | ns   |
| SCK Period (Chain Mode)  | t <sub>SCK</sub>      | 23  |     |     | ns   |
| SCK Low Time   | t <sub>SCKL</sub>     | 6   |     |     | ns   |
| SCK High Time  | t <sub>SCKH</sub>     | 6   |     |     | ns   |
| SCK Falling Edge to Data Remains Valid   | t <sub>HSDO</sub>     | 3   |     |     | ns   |
| SCK Falling Edge to Data Valid Delay   | t <sub>DSDO</sub>     |     | 14  | 21  | ns   |
| CNV or SDI Low to SDO D15 MSB Valid ( $\overline{CS}$ Mode)                            | t <sub>EN</sub>       |     | 18  | 40  | ns   |
| CNV or SDI High or Last SCK Falling Edge to SDO High Impedance ( $\overline{CS}$ Mode) | t <sub>DIS</sub>      |     |     | 20  | ns   |
| SDI Valid Setup Time from CNV Rising Edge  | t <sub>SSDICNV</sub>  | 5   |     |     | ns   |
| SDI Valid Hold Time from CNV Rising Edge ( $\overline{CS}$ Mode)                       | t <sub>HSDICNV</sub>  | 10  |     |     | ns   |
| SDI Valid Hold Time from CNV Rising Edge (Chain Mode)                                  | t <sub>HSDICNV</sub>  | 0   |     |     | ns   |
| SCK Valid Setup Time from CNV Rising Edge (Chain Mode)                                 | t <sub>SSCKCNV</sub>  | 5   |     |     | ns   |
| SCK Valid Hold Time from CNV Rising Edge (Chain Mode)                                  | t <sub>HSCCKCNV</sub> | 5   |     |     | ns   |
| SDI Valid Setup Time from SCK Falling Edge (Chain Mode)                                | t <sub>SSDISCK</sub>  | 2   |     |     | ns   |
| SDI Valid Hold Time from SCK Falling Edge (Chain Mode)                                 | t <sub>HSDISCK</sub>  | 3   |     |     | ns   |
| SDI High to SDO High (Chain Mode with Busy Indicator)                                  | t <sub>DSDOSDI</sub>  |     |     | 22  | ns   |

<sup>1</sup> Timing parameters measured with respect to a falling edge are defined as triggered at x% VIO. Timing parameters measured with respect to a rising edge are defined as triggered at y% VIO. For VIO ≤ 3 V, x = 90 and y = 10. For VIO > 3 V, x = 70 and y = 30. The minimum V<sub>IH</sub> and maximum V<sub>IL</sub> are used. See the Digital Inputs Specifications in Table 2.

<sup>2</sup> The time required to clock out N bits of data, t<sub>READ</sub>, may be greater than t<sub>ACQ</sub> depending on the magnitude of VIO. If t<sub>READ</sub> is greater than t<sub>ACQ</sub>, the throughput must be limited to ensure that all N bits are read back from the device.

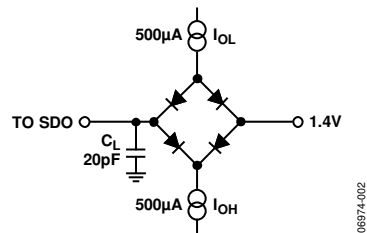


Figure 2. Load Circuit for Digital Interface Timing

## ABSOLUTE MAXIMUM RATINGS

Table 6.

| Parameter                                     | Rating                                      |
|---|---|
| Analog Inputs<br>IN+, IN– to GND <sup>1</sup> | –0.3 V to $V_{REF} + 0.3$ V or $\pm 130$ mA |
| Supply Voltage<br>REF, VIO to GND             | –0.3 V to +6 V                              |
| VDD to GND                                    | –0.3 V to +3 V                              |
| VDD to VIO                                    | +3 V to –6 V                                |
| Digital Inputs to GND                         | –0.3 V to VIO + 0.3 V                       |
| Digital Outputs to GND                        | –0.3 V to VIO + 0.3 V                       |
| Storage Temperature Range                     | –65°C to +150°C                             |
| Junction Temperature                          | 150°C                                       |
| Lead Temperature                              |   |
| Vapor Phase (60 sec)                          | 215°C                                       |
| Infrared (15 sec)                             | 220°C                                       |

<sup>1</sup> See the Analog Inputs section.

Stresses at or above those listed under Absolute Maximum Ratings may cause permanent damage to the product. This is a stress rating only; functional operation of the product at these or any other conditions above those indicated in the operational section of this specification is not implied. Operation beyond the maximum operating conditions for extended periods may affect product reliability.

## THERMAL RESISTANCE

Thermal performance is directly linked to printed circuit board (PCB) design and operating environment. Careful attention to PCB thermal design is required.

$\theta_{JA}$  is the natural convection junction to ambient thermal resistance measured in a one cubic foot sealed enclosure.

$\theta_{JC}$  is the junction to case thermal resistance.

Table 7. Thermal Resistance

| Package Type <sup>1</sup> | $\theta_{JA}$ | $\theta_{JC}$ | Unit |
|---------------------------|---------------|---------------|------|
| RM-10                     | 200           | 44            | °C/W |
| CP-10-9                   | 48.7          | 2.96          | °C/W |

<sup>1</sup> Test Condition 1: thermal impedance simulated values are based on use of a 252P JEDEC PCB. See the Ordering Guide.

## ESD CAUTION



### ESD (electrostatic discharge) sensitive device.

Charged devices and circuit boards can discharge without detection. Although this product features patented or proprietary protection circuitry, damage may occur on devices subjected to high energy ESD. Therefore, proper ESD precautions should be taken to avoid performance degradation or loss of functionality.

## PIN CONFIGURATIONS AND FUNCTION DESCRIPTIONS

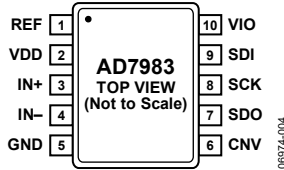
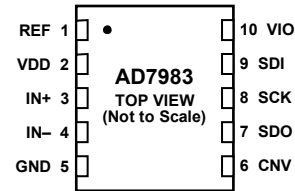


Figure 3. 10-Lead MSOP Pin Configuration



## NOTES

1. EXPOSED PAD. CONNECT THE EXPOSED PAD TO GND. THIS CONNECTION IS NOT REQUIRED TO MEET THE ELECTRICAL PERFORMANCES.

Figure 4. 10-Lead LFCSP Pin Configuration

Table 8. Pin Function Descriptions

| Pin No. | Mnemonic | Type <sup>1</sup> | Description   |
|---------|----------|-------------------|---|
| 1       | REF      | AI                | Reference Input Voltage. The REF range is from 2.9 V to 5.1 V. It is referred to the GND pin. This pin should be decoupled closely to the pin with a 10 $\mu$ F capacitor.  |
| 2       | VDD      | P                 | Power Supply.   |
| 3       | IN+      | AI                | Analog Input. It is referred to IN-. The voltage range, for example, the difference between IN+ and IN-, is 0 V to $V_{REF}$ .  |
| 4       | IN-      | AI                | Analog Input Ground Sense. To be connected to the analog ground plane or to a remote sense ground.  |
| 5       | GND      | P                 | Power Supply Ground.  |
| 6       | CNV      | DI                | Convert Input. This input has multiple functions. On its rising edge, it initiates the conversions and selects the interface mode of the part: chain or $\overline{CS}$ mode. In $\overline{CS}$ mode, it enables the SDO pin when low. In chain mode, the data should be read when CNV is high.  |
| 7       | SDO      | DO                | Serial Data Output. The conversion result is output on this pin. It is synchronized to SCK.   |
| 8       | SCK      | DI                | Serial Data Clock Input. When the part is selected, the conversion result is shifted out by this clock.   |
| 9       | SDI      | DI                | Serial Data Input. This input provides multiple features. It selects the interface mode of the ADC as follows:<br>Chain mode is selected if SDI is low during the CNV rising edge. In this mode, SDI is used as a data input to daisy-chain the conversion results of two or more ADCs onto a single SDO line. The digital data level on SDI is output on SDO with a delay of 16 SCK cycles.<br>$\overline{CS}$ mode is selected if SDI is high during the CNV rising edge. In this mode, either SDI or CNV can enable the serial output signals when low; if SDI or CNV is low when the conversion is complete, the busy indicator feature is enabled. |
| 10      | VIO      | P                 | Input/Output Interface Digital Power. Nominally at the same supply as the host interface (1.8 V, 2.5 V, 3 V, or 5 V).   |
|         | EPAD     |                   | Exposed Pad. For the 10-lead LFCSP only, connect the exposed pad to GND. This connection is not required to meet the electrical performances.   |

<sup>1</sup> AI = analog input, DI = digital input, DO = digital output, and P = power.



# TYPICAL PERFORMANCE CHARACTERISTICS

VDD = 2.5 V, REF = 5 V, VIO = 3.3 V, unless otherwise noted.

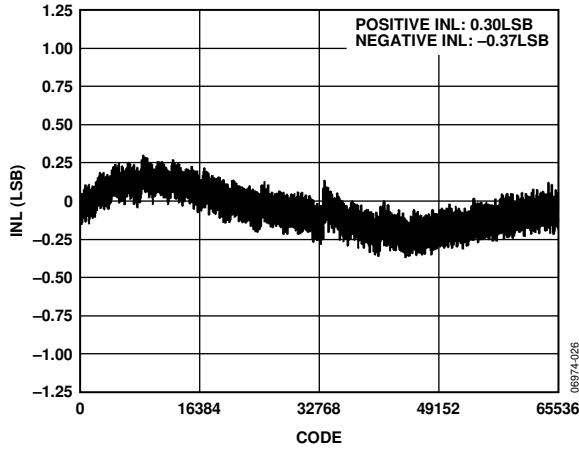


Figure 5. Integral Nonlinearity vs. Code

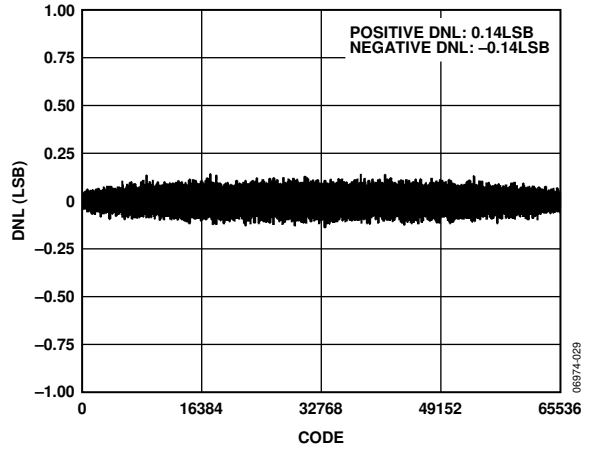


Figure 8. Differential Nonlinearity vs. Code

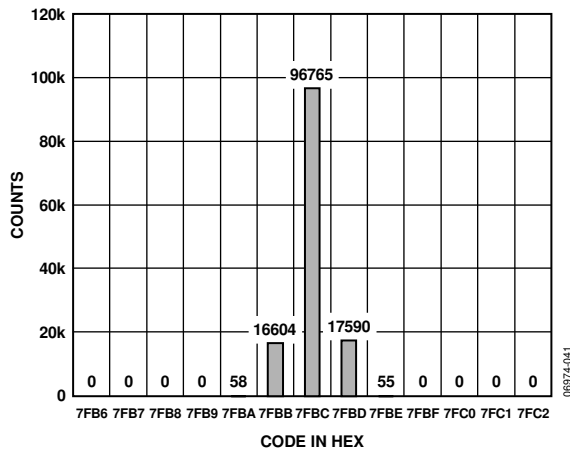


Figure 6. Histogram of a DC Input at the Code Center

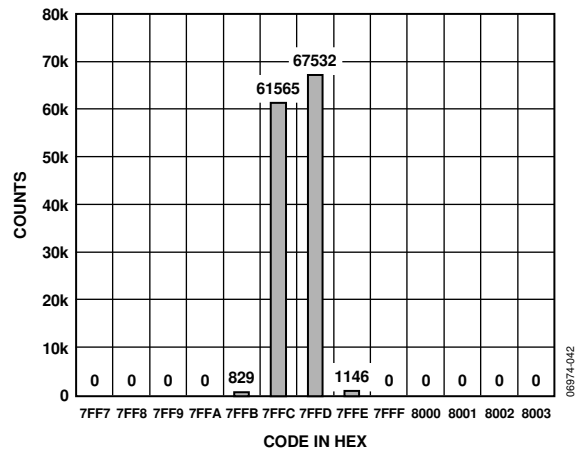


Figure 9. Histogram of a DC Input at the Code Transition

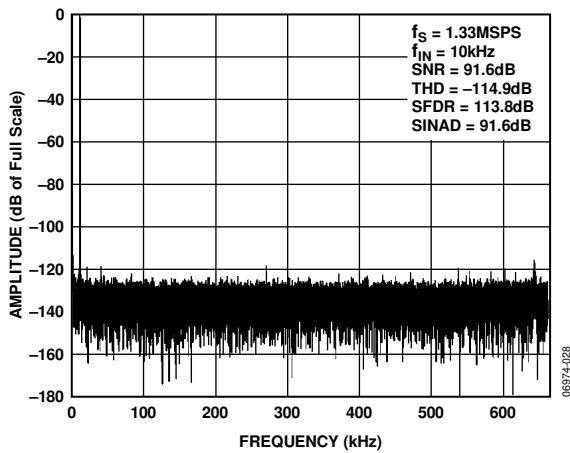


Figure 7. FFT Plot

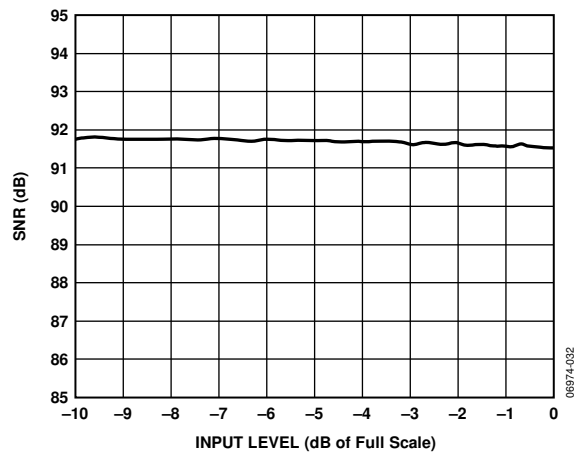


Figure 10. SNR vs. Input Level

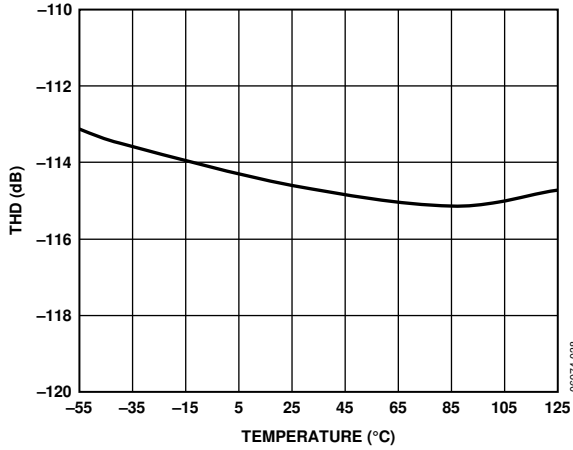


Figure 11. THD vs. Temperature

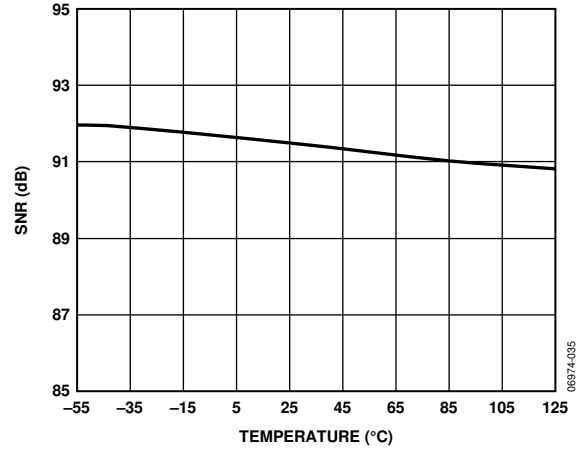


Figure 14. SNR vs. Temperature

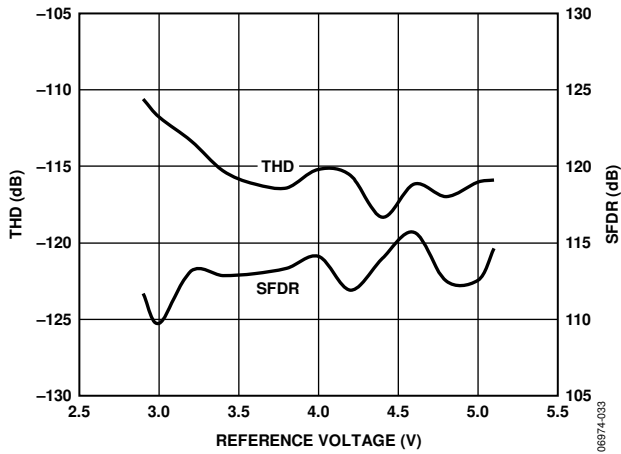


Figure 12. THD, SFDR vs. Reference Voltage

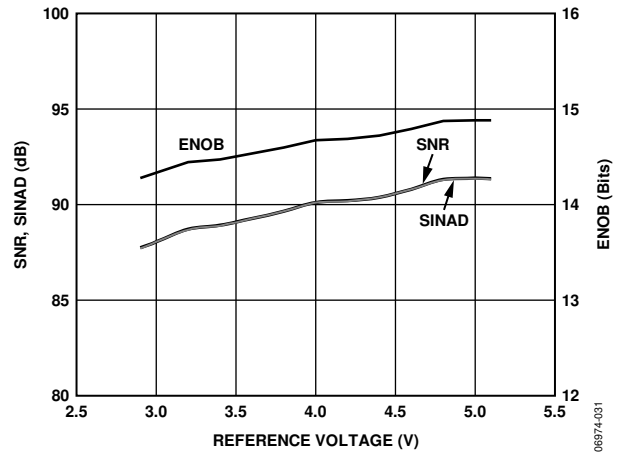


Figure 15. SNR, SINAD, and ENOB vs. Reference Voltage

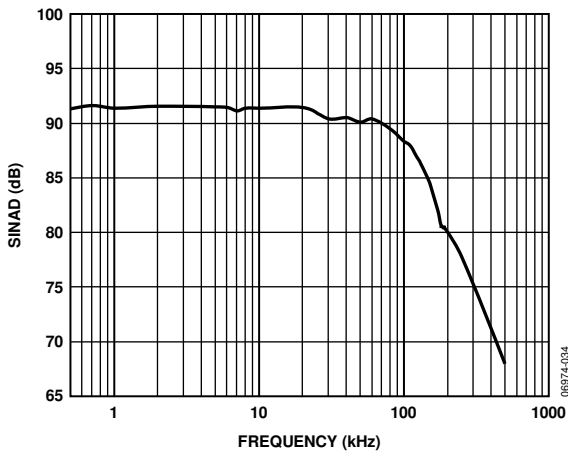


Figure 13. SINAD vs. Frequency

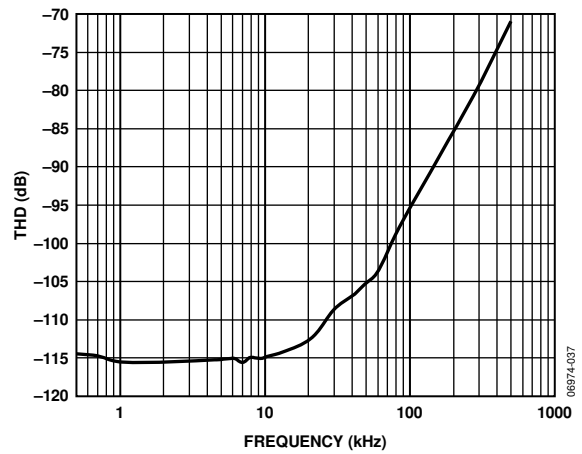


Figure 16. THD vs. Frequency

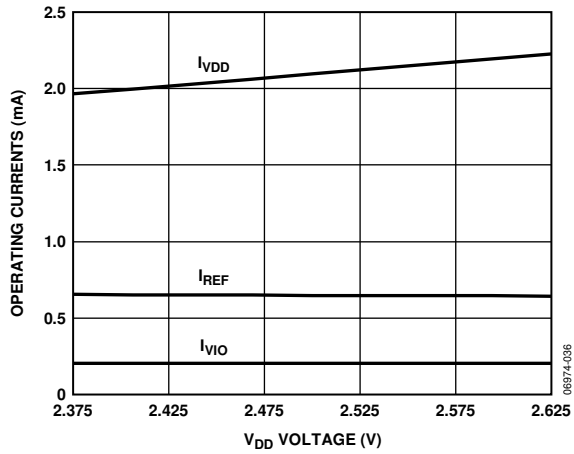


Figure 17. Operating Currents vs. Supply

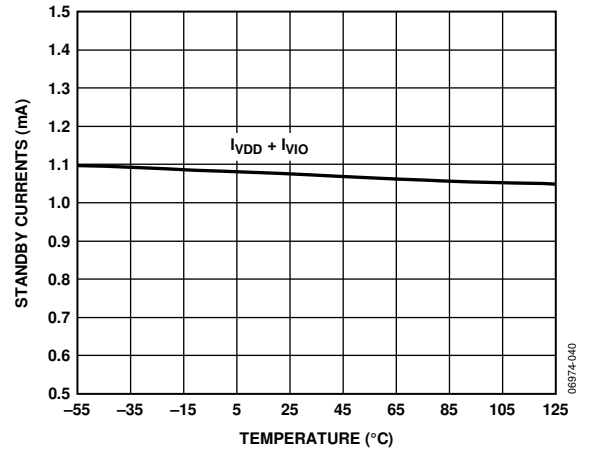


Figure 19. Standby Currents vs. Temperature

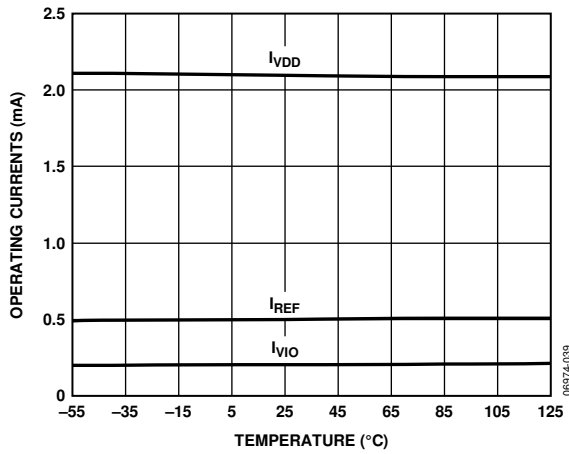


Figure 18. Operating Currents vs. Temperature

## TERMINOLOGY

### Integral Nonlinearity Error (INL)

INL refers to the deviation of each individual code from a line drawn from negative full scale through positive full scale. The point used as negative full scale occurs  $\frac{1}{2}$  LSB before the first code transition. Positive full scale is defined as a level  $1\frac{1}{2}$  LSB beyond the last code transition. The deviation is measured from the middle of each code to the true straight line (see Figure 21).

### Differential Nonlinearity Error (DNL)

In an ideal ADC, code transitions are 1 LSB apart. DNL is the maximum deviation from this ideal value. It is often specified in terms of resolution for which no missing codes are guaranteed.

### Offset Error

The first transition should occur at a level  $\frac{1}{2}$  LSB above analog ground (38.1  $\mu$ V for the 0 V to 5 V range). The offset error is the deviation of the actual transition from that point.

### Gain Error

The last transition (from 111 ... 10 to 111 ... 11) should occur for an analog voltage  $1\frac{1}{2}$  LSB below the nominal full scale (4.999886 V for the 0 V to 5 V range). The gain error is the deviation of the actual level of the last transition from the ideal level after the offset is adjusted out.

### Spurious-Free Dynamic Range (SFDR)

SFDR is the difference, in decibels (dB), between the rms amplitude of the input signal and the peak spurious signal.

### Effective Number of Bits (ENOB)

ENOB is a measurement of the resolution with a sine wave input. It is related to SINAD as follows:

$$ENOB = (SINAD_{dB} - 1.76)/6.02$$

and is expressed in bits.

### Noise-Free Code Resolution

Noise-free code resolution is the number of bits beyond which it is impossible to distinctly resolve individual codes. It is calculated as

$$Noise\text{-Free Code Resolution} = \log_2(2^N/Peak\text{-to-Peak Noise})$$

and is expressed in bits.

### Effective Resolution

Effective resolution is calculated as

$$Effective\ Resolution = \log_2(2^N/RMS\ Input\ Noise)$$

and is expressed in bits.

### Total Harmonic Distortion (THD)

THD is the ratio of the rms sum of the first five harmonic components to the rms value of a full-scale input signal and is expressed in dB.

### Dynamic Range

Dynamic range is the ratio of the rms value of the full scale to the total rms noise measured with the inputs shorted together. The value for dynamic range is expressed in dB. It is measured with a signal at  $-60$  dBFS to include all noise sources and DNL artifacts.

### Signal-to-Noise Ratio (SNR)

SNR is the ratio of the rms value of the actual input signal to the rms sum of all other spectral components below the Nyquist frequency, excluding harmonics and dc. The value for SNR is expressed in dB.

### Signal-to-(Noise + Distortion) Ratio (SINAD)

SINAD is the ratio of the rms value of the actual input signal to the rms sum of all other spectral components below the Nyquist frequency, including harmonics but excluding dc. The value for SINAD is expressed in dB.

### Aperture Delay

Aperture delay is the measurement of the acquisition performance. It is the time between the rising edge of the CNV input and when the input signal is held for a conversion.

### Transient Response

Transient response is the time required for the ADC to accurately acquire its input after a full-scale step function is applied.

## THEORY OF OPERATION

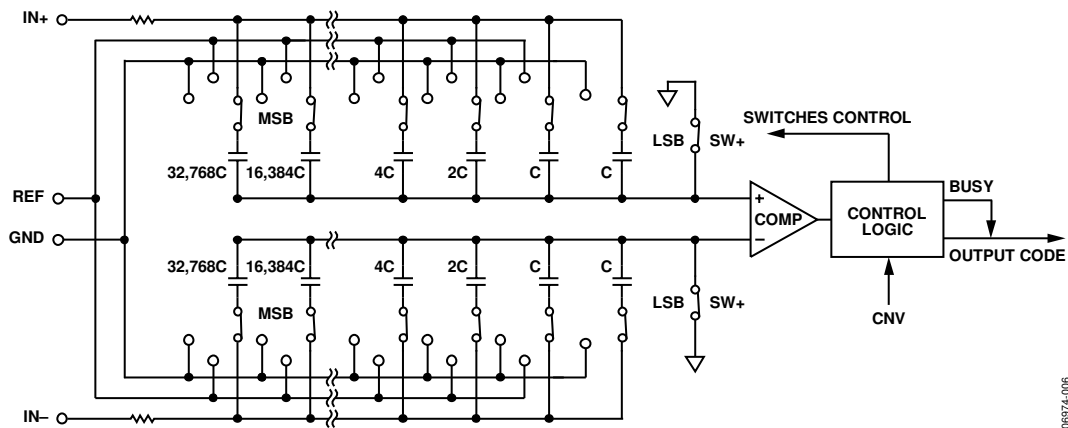


Figure 20. ADC Simplified Schematic

06874-006

### CIRCUIT INFORMATION

The [AD7983](#) is a fast, low power, single-supply, precise 16-bit ADC that uses a successive approximation architecture.

The [AD7983](#) is capable of converting 1,000,000 samples per second (1 MSPS) and powers down between conversions. When operating at 10 kSPS, for example, it consumes 70  $\mu$ W typically, making it ideal for battery-powered applications.

The [AD7983](#) provides the user with an on-chip track-and-hold and does not exhibit any pipeline delay or latency, making it ideal for multiple multiplexed channel applications.

The [AD7983](#) can be interfaced to any 1.8 V to 5 V digital logic family. It is available in a 10-lead MSOP or a tiny 10-lead LFCSP that allows space savings and flexible configurations.

It is pin-for-pin compatible with the 18-bit [AD7982](#).

### CONVERTER OPERATION

The [AD7983](#) is a successive approximation ADC based on a charge redistribution DAC. Figure 20 shows the simplified schematic of the ADC. The capacitive DAC consists of two identical arrays of 16 binary weighted capacitors, which are connected to the two comparator inputs.

During the acquisition phase, terminals of the array tied to the input of the comparator are connected to GND via SW+ and SW-. All independent switches are connected to the analog inputs. Therefore, the capacitor arrays are used as sampling capacitors and acquire the analog signal on the IN+ and IN- inputs. When the acquisition phase is complete and the CNV input goes high, a conversion phase is initiated. When the conversion phase begins, SW+ and SW- are opened first. The two capacitor arrays are then disconnected from the inputs and connected to the GND input. Therefore, the differential voltage between the inputs IN+ and IN- captured at the end of the acquisition phase is applied to the comparator inputs, causing the comparator to become unbalanced. By switching each element of the capacitor array between GND and REF, the comparator input varies by binary weighted voltage steps ( $V_{REF}/2$ ,  $V_{REF}/4$  ...  $V_{REF}/65,536$ ). The control logic toggles these switches, starting with the MSB, to bring the comparator back into a balanced condition. After the completion of this process, the part returns to the acquisition phase and the control logic generates the ADC output code and a busy signal indicator.

Because the [AD7983](#) has an on-board conversion clock, the serial clock, SCK, is not required for the conversion process.

**Transfer Functions**

The ideal transfer characteristic for the AD7983 is shown in Figure 21 and Table 9.

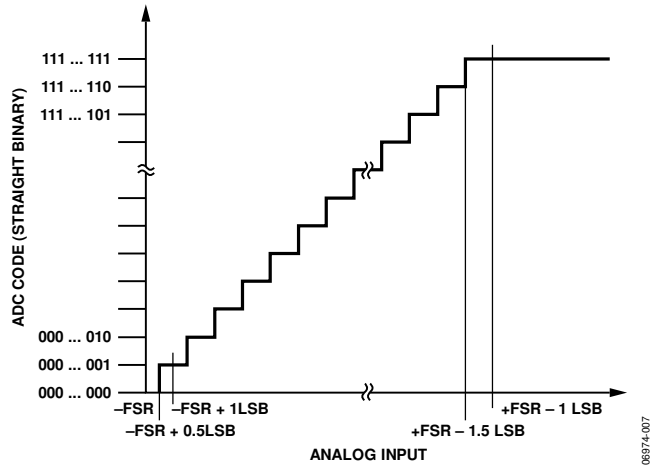


Figure 21. ADC Ideal Transfer Function

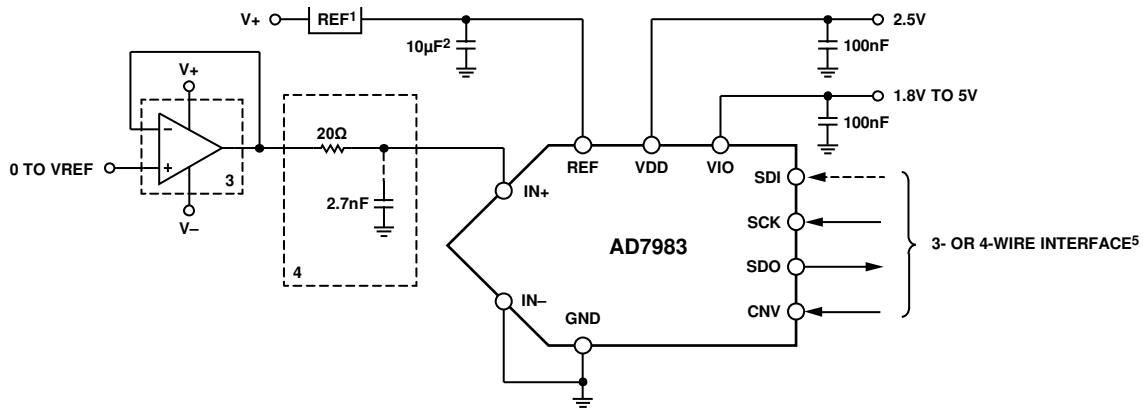
**Table 9. Output Codes and Ideal Input Voltages**

| Description      | Analog Input           |                           |
|------------------|------------------------|---------------------------|
|                  | V <sub>REF</sub> = 5 V | Digital Output Code (Hex) |
| FSR - 1 LSB      | 4.999924 V             | FFFF <sup>1</sup>         |
| Midscale + 1 LSB | 2.500076 V             | 8001                      |
| Midscale         | 2.5 V                  | 8000                      |
| Midscale - 1 LSB | 2.499924 V             | 7FFF                      |
| -FSR + 1 LSB     | 76.3 μV                | 0001                      |
| -FSR             | 0 V                    | 0000 <sup>2</sup>         |

<sup>1</sup>This is also the code for an overranged analog input ( $V_{IN+} - V_{IN-}$  above  $V_{REF} - V_{GND}$ ).  
<sup>2</sup>This is also the code for an underranged analog input ( $V_{IN+} - V_{IN-}$  below  $V_{GND}$ ).

**TYPICAL CONNECTION DIAGRAM**

Figure 22 shows an example of the recommended connection diagram for the AD7983 when multiple supplies are available.



- <sup>1</sup>SEE THE VOLTAGE REFERENCE INPUT SECTION FOR REFERENCE SELECTION.
- <sup>2</sup>C<sub>REF</sub> IS USUALLY A 10μF CERAMIC CAPACITOR (X5R).
- <sup>3</sup>SEE THE DRIVER AMPLIFIER CHOICE SECTION.
- <sup>4</sup>RECOMMENDED FILTER CONFIGURATION. SEE THE ANALOG INPUTS SECTION.
- <sup>5</sup>SEE THE DIGITAL INTERFACE SECTION FOR THE MOST CONVENIENT INTERFACE MODE.

Figure 22. Typical Application Diagram with Multiple Supplies

## ANALOG INPUTS

Figure 23 shows an equivalent circuit of the input structure of the AD7983.

The two diodes, D1 and D2, provide ESD protection for the analog inputs, IN+ and IN-. Care must be taken to ensure that the analog input signal never exceeds the supply rails by more than 0.3 V, because this causes these diodes to become forward-biased and start conducting current. These diodes can handle a forward-biased current of 130 mA maximum. For instance, these conditions could eventually occur when the supplies of the input buffer (U1) are different from VDD. In such a case (for example, an input buffer with a short circuit), the current limitation can be used to protect the part.

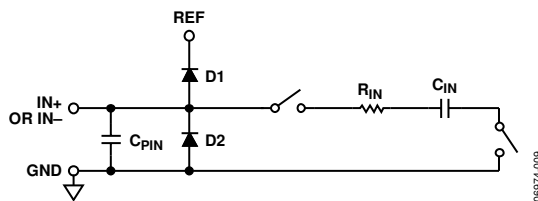


Figure 23. Equivalent Analog Input Circuit

The analog input structure allows the sampling of the true differential signal between IN+ and IN-. By using these differential inputs, signals common to both inputs are rejected.

During the acquisition phase, the impedance of the analog inputs (IN+ and IN-) can be modeled as a parallel combination of capacitor,  $C_{PIN}$ , and the network formed by the series connection of  $R_{IN}$  and  $C_{IN}$ .  $C_{PIN}$  is primarily the pin capacitance.  $R_{IN}$  is typically 400  $\Omega$  and is a lumped component made up of some serial resistors and the on resistance of the switches.  $C_{IN}$  is typically 30 pF and is mainly the ADC sampling capacitor. During the conversion phase, where the switches are opened, the input impedance is limited to  $C_{PIN}$ .  $R_{IN}$  and  $C_{IN}$  make a 1-pole, low-pass filter that reduces undesirable aliasing effects and limits the noise.

When the source impedance of the driving circuit is low, the AD7983 can be driven directly. Large source impedances significantly affect the ac performance, especially THD. The dc performances are less sensitive to the input impedance. The maximum source impedance depends on the amount of THD that can be tolerated. The THD degrades as a function of the source impedance and the maximum input frequency.

## DRIVER AMPLIFIER CHOICE

Although the AD7983 is easy to drive, the driver amplifier needs to meet the following requirements:

- The noise generated by the driver amplifier needs to be kept as low as possible to preserve the SNR and transition noise performance of the AD7983. The noise coming from the driver is filtered by the AD7983 analog input circuit's 1-pole, low-pass filter made by  $R_{IN}$  and  $C_{IN}$  or by the external filter, if one is used. Because the typical noise of the AD7983 is 39.7  $\mu\text{V}$  rms, the SNR degradation due to the amplifier is

$$SNR_{LOSS} = 20 \log \left( \frac{39.7}{\sqrt{39.7^2 + \frac{\pi}{2} f_{-3dB} (Ne_N)^2}} \right)$$

where:

$f_{-3dB}$  is the input bandwidth in MHz of the AD7983 (10 MHz) or the cutoff frequency of the input filter, if one is used.

$N$  is the noise gain of the amplifier (for example, 1 in buffer configuration).

$e_N$  is the equivalent input noise voltage of the op amp, in nV/ $\sqrt{\text{Hz}}$ .

- For ac applications, the driver should have a THD performance commensurate with the AD7983.
- For multichannel multiplexed applications, the driver amplifier and the AD7983 analog input circuit must settle for a full-scale step onto the capacitor array at a 16-bit level (0.0015%, 15 ppm). In the data sheet of the amplifier, settling at 0.1% to 0.01% is more commonly specified. This could differ significantly from the settling time at a 16-bit level and should be verified prior to driver selection.

The Precision ADC Driver Tool can be used to model the settling behavior and to estimate the ac performance of the AD7983 with a selected driver and RC filter.

Table 10. Recommended Driver Amplifiers

| Amplifier | Typical Application                              |
|-----------|--|
| ADA4805-1 | Low noise, small size, and low power             |
| ADA4807-1 | Very low noise and high frequency                |
| ADA4627-1 | Precision, low noise, and low input bias current |
| ADA4522-1 | Precision, zero drift, and EMI enhanced          |
| ADA4841-1 | Low noise, low distortion, and low power         |

## VOLTAGE REFERENCE INPUT

The AD7983 voltage reference input, REF, has a dynamic input impedance and should therefore be driven by a low impedance source with efficient decoupling between the REF and GND pins, as explained in the Layout section.

When REF is driven by a very low impedance source, for example, a reference buffer using the AD8031, ADA4805-1, or ADA4807-1, a ceramic chip capacitor is appropriate for optimum performance.

If an unbuffered reference voltage is used, the decoupling value depends on the reference used. For instance, a 22  $\mu\text{F}$  (X5R, 1206 size) ceramic chip capacitor is appropriate for optimum performance using a low temperature drift reference, such as the ADR435, ADR445, LTC6655, or ADR4550.

If desired, a reference-decoupling capacitor value as small as 2.2  $\mu\text{F}$  can be used with a minimal impact on performance, especially DNL.

Regardless, there is no need for an additional lower value ceramic decoupling capacitor (for example, 100 nF) between the REF and GND pins.

## POWER SUPPLY

The AD7983 uses two power supply pins: a core supply (VDD) and a digital input/output interface supply (VIO). VIO allows direct interface with any logic between 1.8 V and 5.0 V. To reduce the number of supplies needed, VIO and VDD can be tied together. When VIO is greater than or equal to VDD, the AD7983 is insensitive to power supply sequencing. In normal operation, if the magnitude of VIO is less than the magnitude of VDD, VIO must be applied before VDD. Additionally, it is very insensitive to power supply variations over a wide frequency range, as shown in Figure 24.

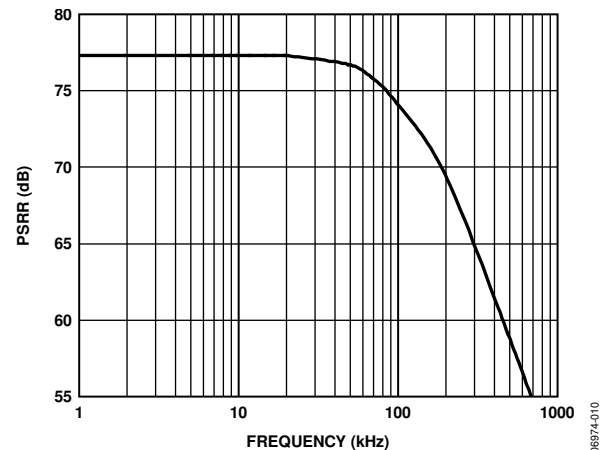


Figure 24. PSRR vs. Frequency



## DIGITAL INTERFACE

Though the AD7983 has a reduced number of pins, it offers flexibility in its serial interface modes.

When in  $\overline{\text{CS}}$  mode, the AD7983 is compatible with SPI, QSPI, and digital hosts. This interface can use either a 3-wire or a 4-wire interface. A 3-wire interface using the CNV, SCK, and SDO signals minimizes wiring connections useful, for instance, in isolated applications. A 4-wire interface using the SDI, CNV, SCK, and SDO signals allows CNV, which initiates the conversions, to be independent of the readback timing (SDI). This is useful in low jitter sampling or simultaneous sampling applications.

The AD7983, when in chain mode, provides a daisy-chain feature using the SDI input for cascading multiple ADCs on a single data line similar to a shift register.

The mode in which the part operates depends on the SDI level when the CNV rising edge occurs. The  $\overline{\text{CS}}$  mode is selected if SDI is high, and the chain mode is selected if SDI is low. The SDI hold time is such that when SDI and CNV are connected, the chain mode is always selected.

In either mode, the AD7983 offers the flexibility to optionally force a start bit in front of the data bits. This start bit can be used as a busy signal indicator to interrupt the digital host and trigger the data reading. Otherwise, without a busy indicator, the user must time out the maximum conversion time prior to readback.

The busy indicator feature is enabled

- In  $\overline{\text{CS}}$  mode if CNV or SDI is low when the ADC conversion ends (see Figure 28 and Figure 32).
- In chain mode if SCK is high during the CNV rising edge (see Figure 36).

**$\overline{\text{CS}}$  MODE, 3-WIRE WITHOUT BUSY INDICATOR**

This mode is usually used when a single AD7983 is connected to an SPI-compatible digital host. The connection diagram is shown in Figure 25, and the corresponding timing is given in Figure 26.

With SDI tied to VIO, a rising edge on CNV initiates a conversion, selects the  $\overline{\text{CS}}$  mode, and forces SDO to high impedance. When a conversion is initiated, it continues until completion irrespective of the state of CNV. This can be useful, for example, to bring CNV low to select other SPI devices, such as analog multiplexers; however, CNV must be returned high before the minimum conversion time elapses and then held high for the maximum conversion time to avoid the generation of the busy signal indicator. When the conversion is complete, the AD7983 enters the acquisition phase and goes into standby mode.

When CNV goes low, the MSB is output onto SDO. The remaining data bits are then clocked by subsequent SCK falling edges. The data is valid on both SCK edges. Although the rising edge can be used to capture the data, a digital host using the SCK falling edge allows a faster reading rate provided that it has an acceptable hold time. After the 16th SCK falling edge or when CNV goes high, whichever is earlier, SDO returns to high impedance.

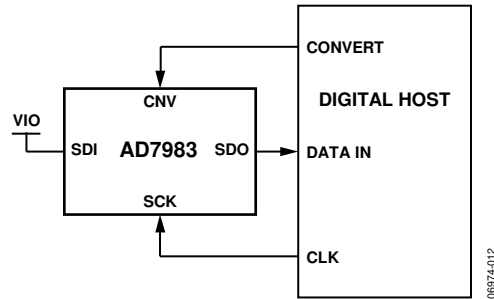


Figure 25.  $\overline{\text{CS}}$  Mode, 3-Wire Without Busy Indicator Connection Diagram (SDI High)

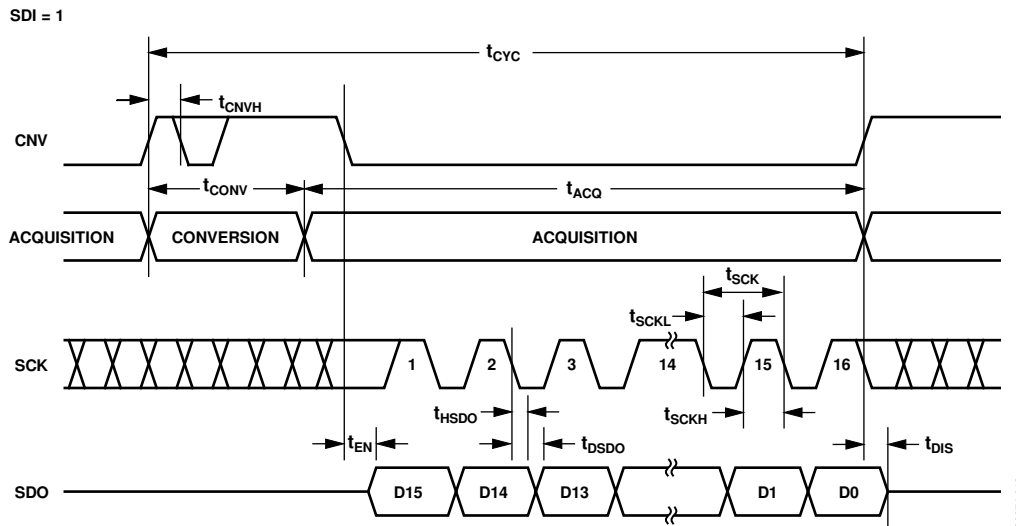


Figure 26.  $\overline{\text{CS}}$  Mode, 3-Wire Without Busy Indicator Serial Interface Timing (SDI High)

### $\overline{\text{CS}}$ MODE, 3-WIRE WITH BUSY INDICATOR

This mode is usually used when a single AD7983 is connected to an SPI-compatible digital host that has an interrupt input.

The connection diagram is shown in Figure 27, and the corresponding timing is given in Figure 28.

With SDI tied to VIO, a rising edge on CNV initiates a conversion, selects the  $\overline{\text{CS}}$  mode, and forces SDO to high impedance. SDO is maintained in high impedance until the completion of the conversion irrespective of the state of CNV. Prior to the minimum conversion time, CNV can be used to select other SPI devices, such as analog multiplexers, but CNV must be returned low before the minimum conversion time elapses and then held low for the maximum conversion time to guarantee the generation of the busy signal indicator. When the conversion is complete, SDO goes from high impedance to low. With a pull-up on the SDO line, this transition can be used as an interrupt signal to initiate the data read back controlled by the digital host. The AD7983 then enters the acquisition phase and goes into standby mode. The data bits are then clocked out, MSB first, by subsequent SCK falling edges. The data is valid on both SCK edges. Although the rising edge can be used to capture the data, a digital host using the SCK falling edge allows a faster reading rate provided it has an acceptable hold time. After the optional 17th SCK falling edge or when CNV goes high, whichever is earlier, SDO returns to high impedance.

If multiple AD7983s are selected at the same time, the SDO output pin handles this contention without damage or induced latch-up. Meanwhile, it is recommended that this contention be kept as short as possible to limit extra power dissipation.

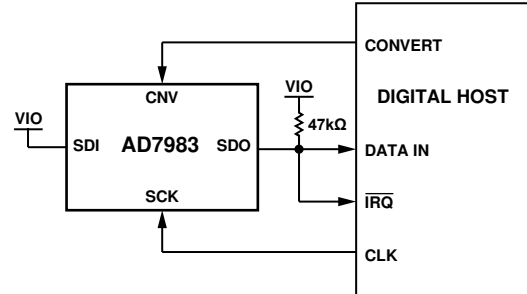


Figure 27.  $\overline{\text{CS}}$  Mode, 3-Wire with Busy Indicator Connection Diagram (SDI High)

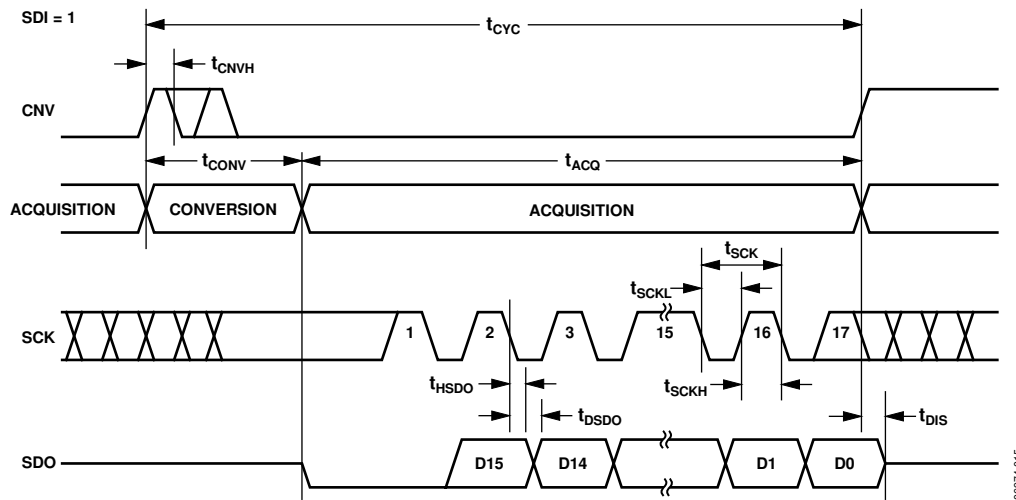


Figure 28.  $\overline{\text{CS}}$  Mode, 3-Wire with Busy Indicator Serial Interface Timing (SDI High)

**CS MODE, 4-WIRE WITHOUT BUSY INDICATOR**

This mode is usually used when multiple AD7983s are connected to an SPI-compatible digital host.

A connection diagram example using two AD7983s is shown in Figure 29, and the corresponding timing is given in Figure 30.

With SDI high, a rising edge on CNV initiates a conversion, selects the CS mode, and forces SDO to high impedance. In this mode, CNV must be held high during the conversion phase and the subsequent data readback (if SDI and CNV are low, SDO is driven low). Prior to the minimum conversion time, SDI can be used to select other SPI devices, such as analog multiplexers, but SDI must be returned high before the minimum conversion time elapses and then held high for the maximum conversion time to avoid the generation of the busy signal indicator.

When the conversion is complete, the AD7983 enters the acquisition phase and goes into standby mode. Each ADC result can be read by bringing its SDI input low, which consequently outputs the MSB onto SDO. The remaining data bits are then clocked by subsequent SCK falling edges. The data is valid on both SCK edges. Although the rising edge can be used to capture the data, a digital host using the SCK falling edge allows a faster reading rate provided it has an acceptable hold time. After the 16th SCK falling edge or when SDI goes high, whichever is earlier, SDO returns to high impedance and another AD7983 can be read.

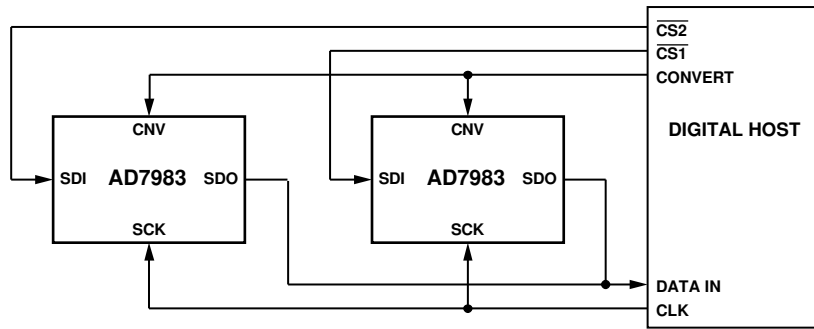


Figure 29. CS Mode, 4-Wire Without Busy Indicator Connection Diagram

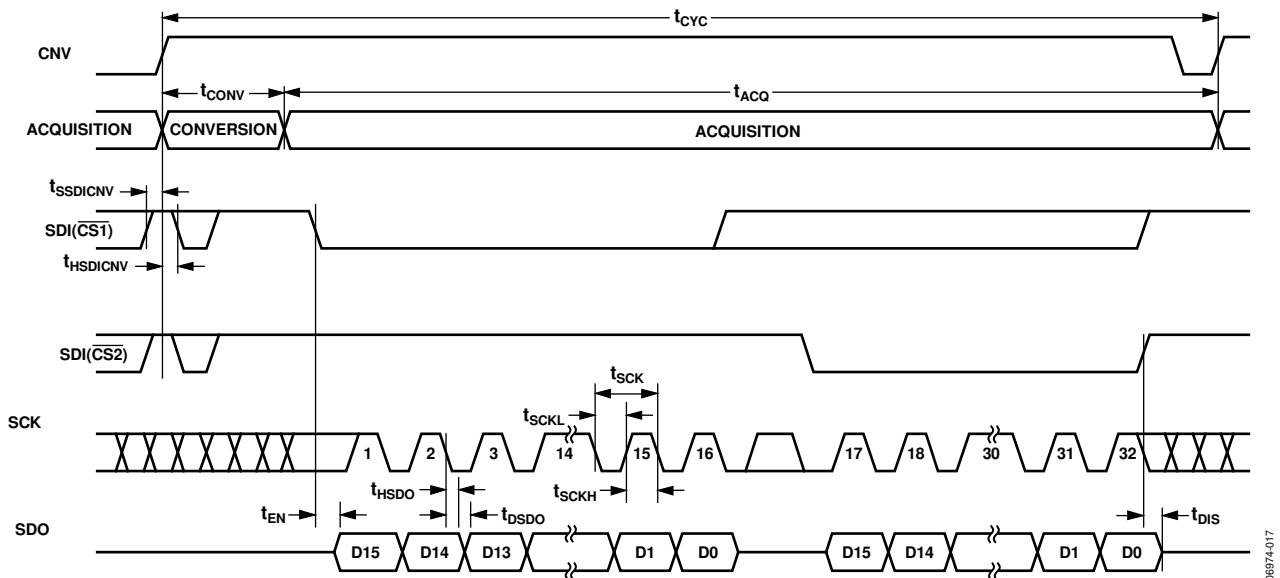


Figure 30. CS Mode, 4-Wire Without Busy Indicator Serial Interface Timing

**$\overline{CS}$  MODE, 4-WIRE WITH BUSY INDICATOR**

This mode is usually used when a single AD7983 is connected to an SPI-compatible digital host that has an interrupt input, and when it is desired to keep CNV, which is used to sample the analog input, independent of the signal used to select the data reading. This requirement is particularly important in applications where low jitter on CNV is desired.

The connection diagram is shown in Figure 31, and the corresponding timing is given in Figure 32.

With SDI high, a rising edge on CNV initiates a conversion, selects the  $\overline{CS}$  mode, and forces SDO to high impedance. In this mode, CNV must be held high during the conversion phase and the subsequent data readback (if SDI and CNV are low, SDO is driven low). Prior to the minimum conversion time, SDI can be used to select other SPI devices, such as analog multiplexers, but SDI must be returned low before the minimum conversion time elapses and then held low for the maximum conversion time to guarantee the generation of the busy signal indicator. When the conversion is complete, SDO goes from high impedance to low.

With a pull-up on the SDO line, this transition can be used as an interrupt signal to initiate the data readback controlled by the digital host. The AD7983 then enters the acquisition phase and goes into standby mode. The data bits are clocked out, MSB first, by subsequent SCK falling edges. The data is valid on both SCK edges. Although the rising edge can be used to capture the data, a digital host using the SCK falling edge allows a faster reading rate provided it has an acceptable hold time. After the optional 17th SCK falling edge or SDI going high, whichever is earlier, the SDO returns to high impedance.

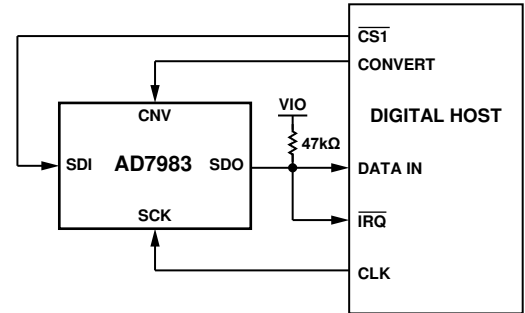


Figure 31.  $\overline{CS}$  Mode, 4-Wire with Busy Indicator Connection Diagram

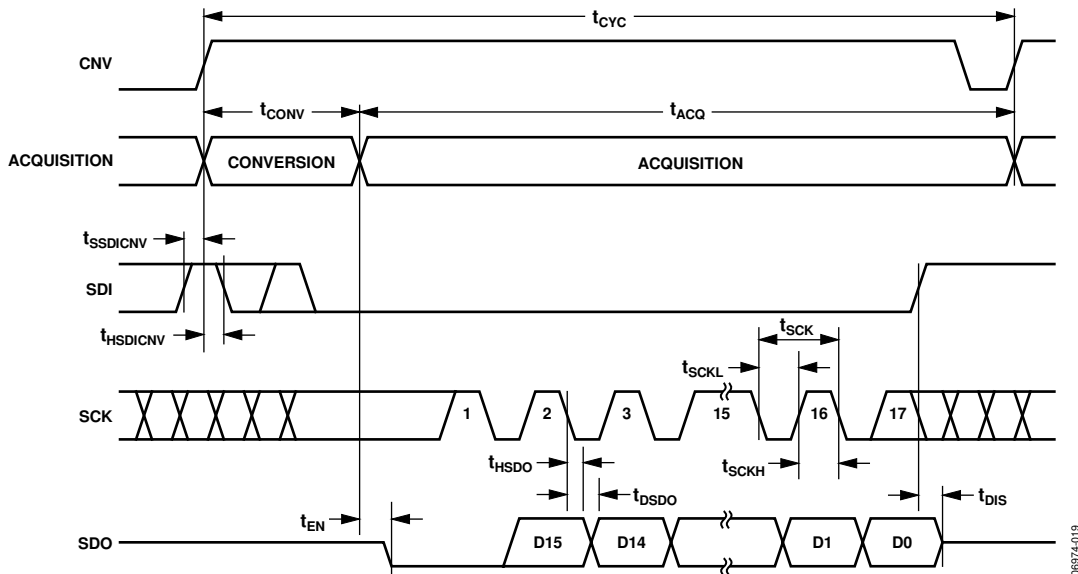


Figure 32.  $\overline{CS}$  Mode, 4-Wire with Busy Indicator Serial Interface Timing

**CHAIN MODE WITHOUT BUSY INDICATOR**

This mode can be used to daisy-chain multiple AD7983s on a 3-wire serial interface. This feature is useful for reducing component count and wiring connections, for example, in isolated multiconverter applications or for systems with a limited interfacing capacity. Data readback is analogous to clocking a shift register.

A connection diagram example using two AD7983s is shown in Figure 33, and the corresponding timing is given in Figure 34.

When SDI and CNV are low, SDO is driven low. With SCK low, a rising edge on CNV initiates a conversion, selects the chain mode, and disables the busy indicator. In this mode, CNV is held high during the conversion phase and the subsequent data readback. When the conversion is complete, the MSB is output onto SDO and the AD7983 enters the acquisition phase and goes into standby mode. The remaining data bits stored in the internal shift register are clocked by subsequent SCK falling edges. For each ADC, SDI feeds the input of the internal shift register and is clocked by the SCK falling edge. Each ADC in the chain outputs its data MSB first, and  $16 \times N$  clocks are required to readback the N ADCs. The data is valid on both SCK edges. Although the rising edge can be used to capture the data, a digital host using the SCK falling edge allows a faster reading rate and, consequently, more AD7983s in the chain, provided the digital host has an acceptable hold time. The maximum conversion rate can be reduced due to the total readback time.

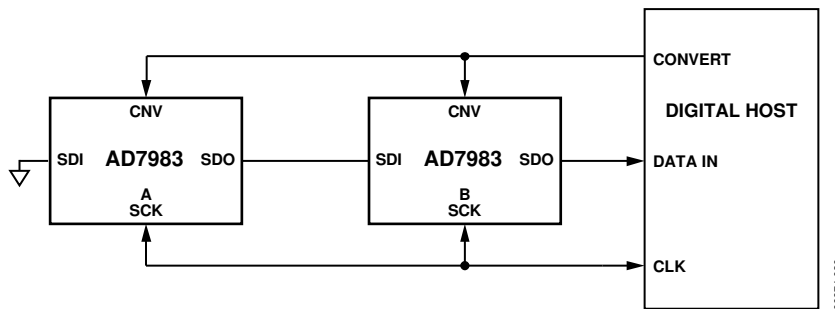


Figure 33. Chain Mode Without Busy Indicator Connection Diagram

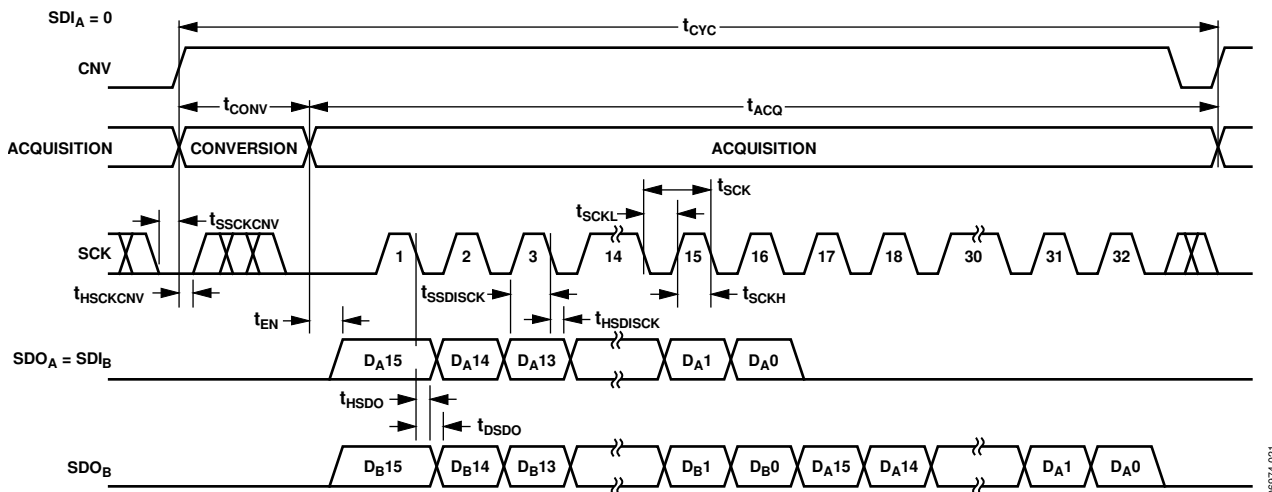


Figure 34. Chain Mode Without Busy Indicator Serial Interface Timing

**CHAIN MODE WITH BUSY INDICATOR**

This mode can also be used to daisy-chain multiple AD7983s on a 3-wire serial interface while providing a busy indicator. This feature is useful for reducing component count and wiring connections, for example, in isolated multiconverter applications or for systems with a limited interfacing capacity. Data readback is analogous to clocking a shift register.

A connection diagram example using three AD7983s is shown in Figure 35, and the corresponding timing is given in Figure 36.

When SDI and CNV are low, SDO is driven low. With SCK high, a rising edge on CNV initiates a conversion, selects the chain mode, and enables the busy indicator feature. In this mode, CNV is held high during the conversion phase and the subsequent data readback. When all ADCs in the chain have completed their conversions, the SDO pin of the ADC closest to the digital host (see the AD7983 ADC labeled C in Figure 35) is driven high. This transition on SDO can be used as a busy indicator to trigger the data readback controlled by the digital host. The AD7983 then enters the acquisition phase and goes into standby mode. The data bits stored in the internal shift register are clocked out, MSB first, by subsequent SCK falling edges. For each ADC, SDI feeds the input of the internal shift register and is clocked by the SCK falling edge. Each ADC in the chain outputs its data MSB first, and  $16 \times N + 1$  clocks are required to readback the N ADCs. Although the rising edge can be used to capture the data, a digital host using the SCK falling edge allows a faster reading rate and, consequently, more AD7983s in the chain, provided the digital host has an acceptable hold time.

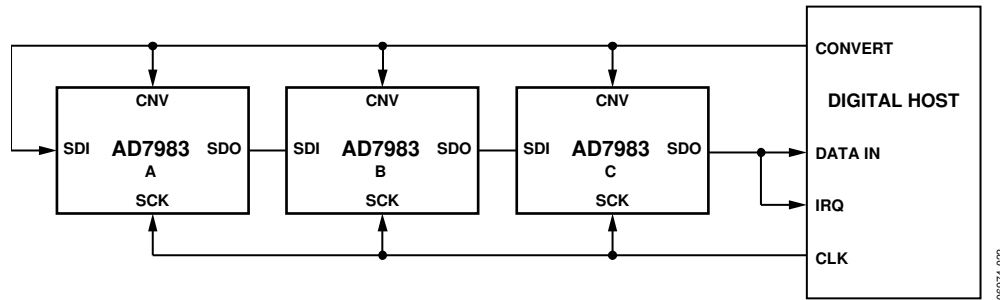


Figure 35. Chain Mode with Busy Indicator Connection Diagram

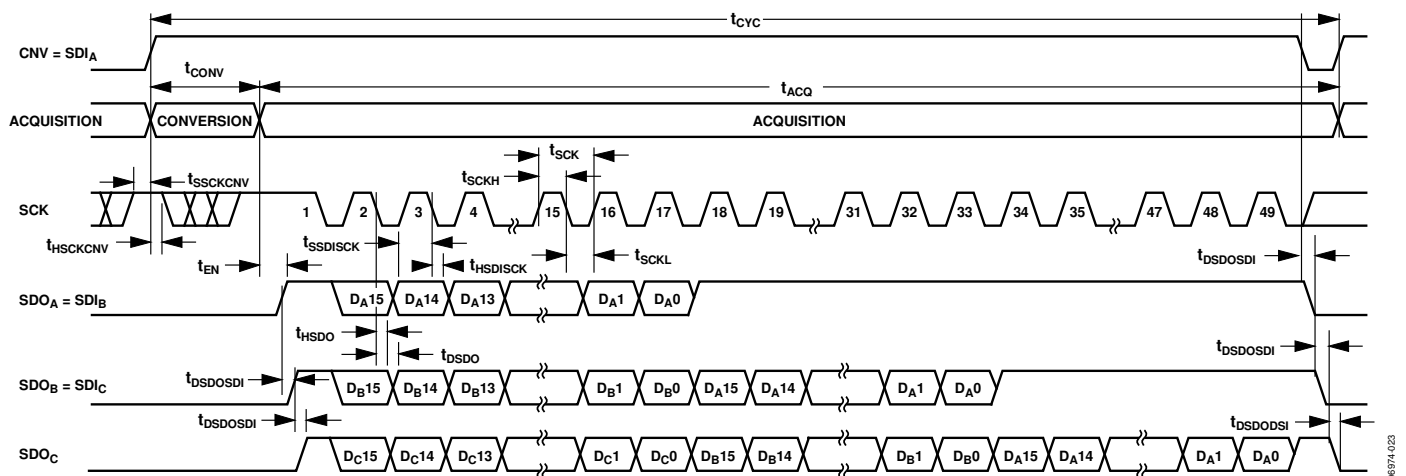


Figure 36. Chain Mode with Busy Indicator Serial Interface Timing

## APPLICATION HINTS

### LAYOUT

The printed circuit board (PCB) that houses the [AD7983](#) should be designed so that the analog and digital sections are separated and confined to certain areas of the board. The pinout of the [AD7983](#), with all its analog signals on the left side and all its digital signals on the right side, eases this task.

Avoid running digital lines under the device because these couple noise onto the die, unless a ground plane under the [AD7983](#) is used as a shield. Fast switching signals, such as CNV or clocks, should never run near analog signal paths. Crossover of digital and analog signals should be avoided.

At least one ground plane should be used. The ground plane can be common or split between the digital and analog section. In the latter case, the planes should be joined underneath the [AD7983](#).

The [AD7983](#) voltage reference input REF has a dynamic input impedance and should be decoupled with minimal parasitic inductances. This is done by placing the reference decoupling ceramic capacitor close to, ideally right up against, the REF and GND pins and connecting them with wide, low impedance traces.

Finally, the [AD7983](#) power supplies, VDD and VIO, should be decoupled with ceramic capacitors, typically 100 nF, placed close to the [AD7983](#) and connected using short and wide traces to provide low impedance paths and to reduce the effect of glitches on the power supply lines.

An example of a layout following these rules is shown in Figure 37 and Figure 38.

### EVALUATING THE PERFORMANCE OF THE [AD7983](#)

Other recommended layouts for the [AD7983](#) are outlined in the documentation of the evaluation board for the [AD7983](#) ([EVAL-AD7983SDZ](#)). The evaluation board package includes a fully assembled and tested evaluation board, documentation, and software for controlling the board from a PC via the EVAL-SDP-CB1Z.

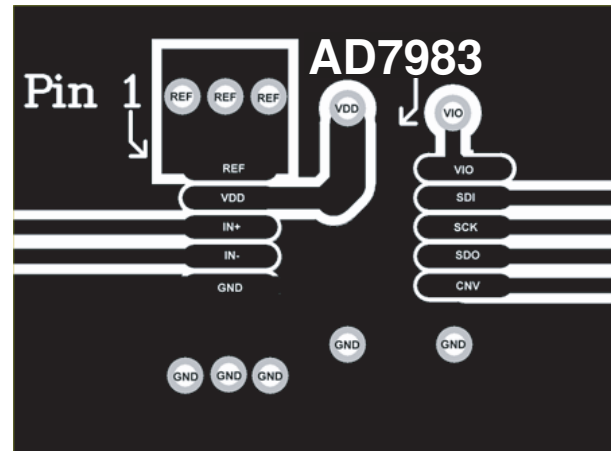


Figure 37. Example Layout of the [AD7983](#) (Top Layer)

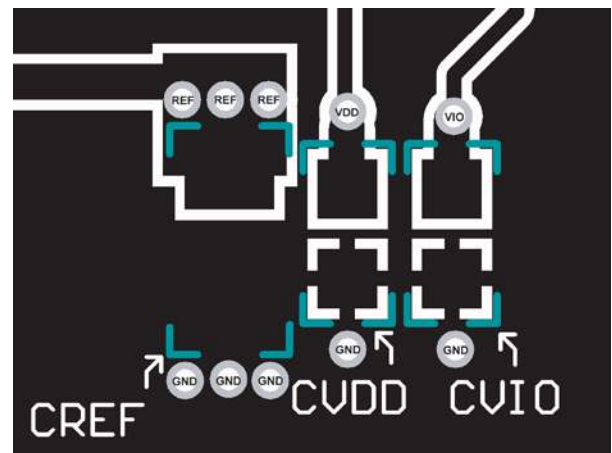
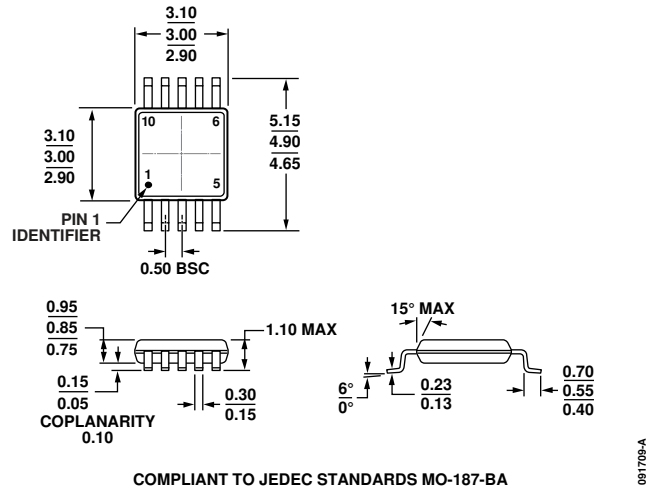


Figure 38. Example Layout of the [AD7983](#) (Bottom Layer)



OUTLINE DIMENSIONS



COMPLIANT TO JEDEC STANDARDS MO-187-BA  
 Figure 39. 10-Lead Mini Small Outline Package [MSOP]  
 (RM-10)  
 Dimensions shown in millimeters

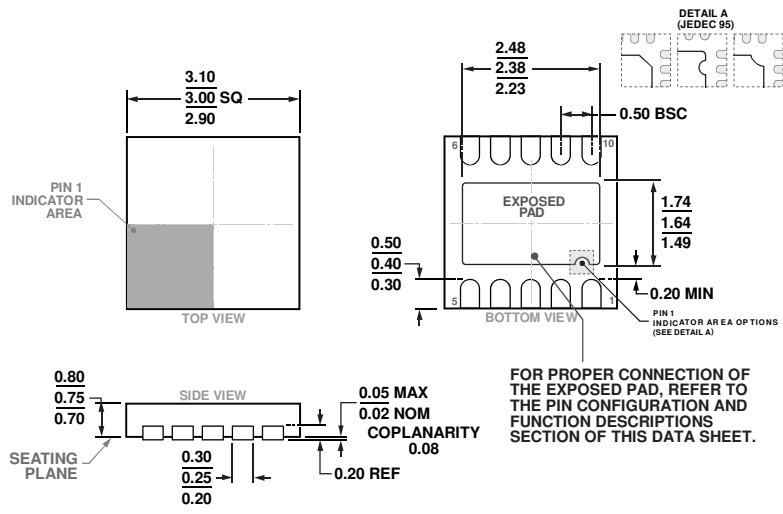


Figure 40. 10-Lead Lead Frame Chip Scale Package [LFCSP\_WD]  
 3 mm x 3 mm Body, Very Very Thin, Dual Lead  
 (CP-10-9)  
 Dimensions shown in millimeters

ORDERING GUIDE

| Model <sup>1, 2, 3</sup> | Temperature Range | Package Description | Package Option | Ordering Quantity | Branding |
|--------------------------|-------------------|---------------------|----------------|-------------------|----------|
| AD7983BRMZ               | -40°C to +85°C    | 10-Lead MSOP        | RM-10          | Tube, 50          | C5Y      |
| AD7983BRMZRL7            | -40°C to +85°C    | 10-Lead MSOP        | RM-10          | Reel, 1000        | C5Y      |
| AD7983BCPZ-R2            | -40°C to +85°C    | 10-Lead LFCSP_WD    | CP-10-9        | Reel, 250         | C5Y      |
| AD7983BCPZ-RL            | -40°C to +85°C    | 10-Lead LFCSP_WD    | CP-10-9        | Reel, 1000        | C5Y      |
| AD7983BCPZ-RL7           | -40°C to +85°C    | 10-Lead LFCSP_WD    | CP-10-9        | Reel, 5000        | C5Y      |
| EVAL-AD7983SDZ           |                   | Evaluation Board    |                |                   |          |
| EVAL-SDP-CB1Z            |                   | Controller Board    |                |                   |          |

<sup>1</sup> Z = RoHS Compliant Part.

<sup>2</sup> The EVAL-AD7983SDZ can be used as a standalone evaluation board or in conjunction with the EVAL-SDP-CB1Z for evaluation/demonstration purposes.

<sup>3</sup> The EVAL-SDP-CB1Z allows a PC to control and communicate with all Analog Devices evaluation boards ending in the SDZ designator.