

6

5

4

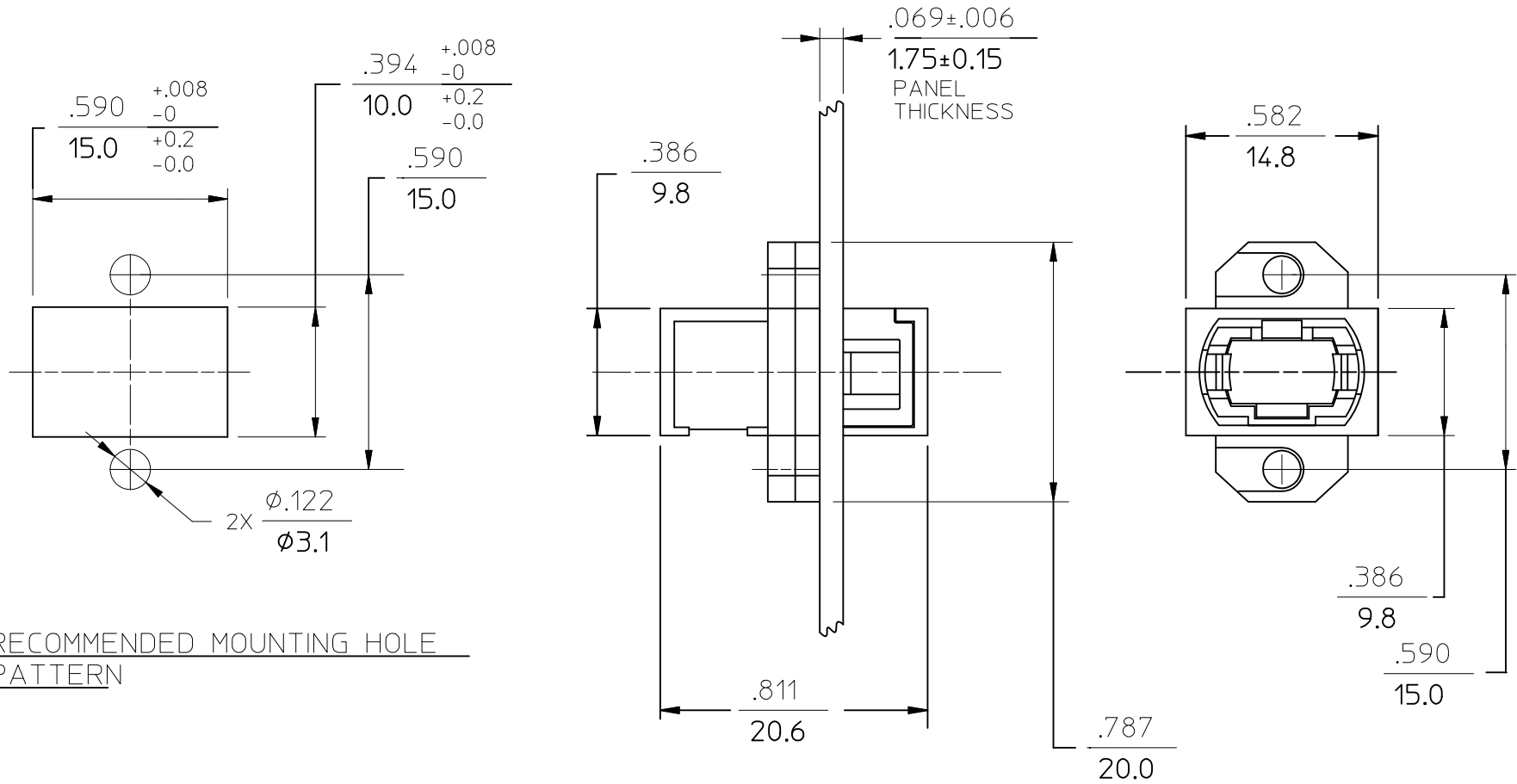
3

2

1

KEY
ORIENTATION

OPPOSED



NOTE:

DUST CAPS ARE NOT SHOWN, BUT INCLUDED.

ENTER DESCRIPTION EC NO: MF2012-0454 DRWN: YBEDNYAK 2012/03/20 CHKD: APPR: IGUMIN 2012/03/23	QUALITY SYMBOLS ▽=0 C=0	GENERAL TOLERANCES (UNLESS SPECIFIED)		DIMENSION STYLE IN/MM		SCALE 2:1	DESIGN UNITS INCH	THIRD ANGLE PROJECTION		
			mm	INCH	DRAWN BY KP	DATE 2006/07/10	TITLE MTP ROTATED FLANGE ADAPTER			
		4 PLACES	± ---	± ---	CHECKED BY	DATE				
		3 PLACES	± ---	± ---	APPROVED BY ILG		DATE 2006/07/10	MOLEX INCORPORATED		
2 PLACES	± ---	± ---	MATERIAL NO. 1061810006		DOCUMENT NO. SD-106181-0006	SHEET NO. 1 OF 1				
1 PLACE	± ---	± ---	ANGULAR ±1/2°		THIS DRAWING CONTAINS INFORMATION THAT IS PROPRIETARY TO MOLEX INCORPORATED AND SHOULD NOT BE USED WITHOUT WRITTEN PERMISSION					
DRAFT WHERE APPLICABLE MUST REMAIN WITHIN DIMENSIONS										
A1	REV									

5

4

3

2

1