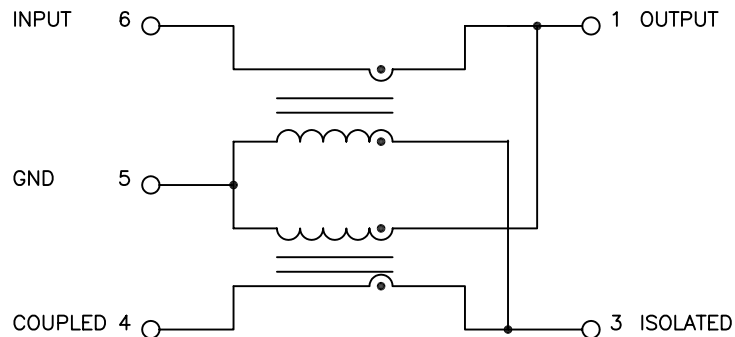


CX3120NL

- COUPLER, 14dB
- 5-1000MHz
- IMPEDANCE = 75 OHMS
- SURFACE MOUNT

NOTES: UNLESS OTHERWISE SPECIFIED:

1. OPERATING TEMPERATURE: -40°C TO +85°C.
2. STORAGE TEMPERATURE: -50°C TO +125°C
3. JEDEC MOISTURE: LEVEL 1.
4. DIMENSIONS ARE IN INCH WITH THE FOLLOWING TOLERANCES:
 .XX ±.01
 .XXX ±.005
5. REVISION LEVEL M10,M11...MX IS FOR A RELEASED PRODUCTS.
6. OPTIONAL TAPE & REEL PACKAGING CAN BE ORDERED BY ADDING
 A "T" SUFFIX TO THE PART NUMBER. ie: CX3120NLT
7. ROHS COMPLIANT



SCHEMATIC

ELECTRICAL SPECIFICATIONS @ 25°C:

INSERTION LOSS:

FREQUENCY	
5-870 MHz	-1.5 dB MIN
870-1000 MHz	-1.8 dB MIN

INPUT RETURN LOSS:

FREQUENCY	
5-870 MHz	-20.0 dB MAX
870-1000 MHz	-18.0 dB MAX

OUTPUT RETURN LOSS:

FREQUENCY	
5-870 MHz	-20.0 dB MAX
870-1000 MHz	-20.0 dB MAX

COUPLING FORWARD:

FREQUENCY	
5-870 MHz	-14.3 dB ± 0.5 dB
870-1000 MHz	-14.3 dB ± 0.7 dB

COUPLED PORT RETURN LOSS:

FREQUENCY	
5-870 MHz	-18.0 dB MAX
870-1000 MHz	-18.0 dB MAX

© Copyright, 2014. Pulse Electronics, Inc. All rights reserved. Drawing specifications subject to change without notice. Date (02/17/14)

PULSE CONFIDENTIAL
&
PROPRIETARY

PRODUCT SPECIFICATION:

CPLR, IND, 14DB 5-1000MHz, SM

DWG. NO./ PART NO.

CX3120NL

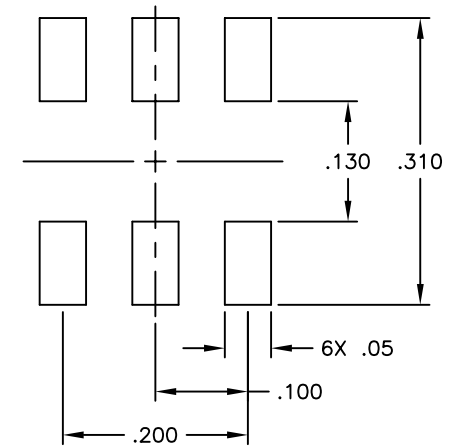
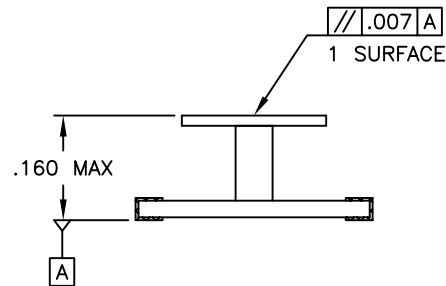
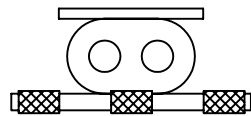
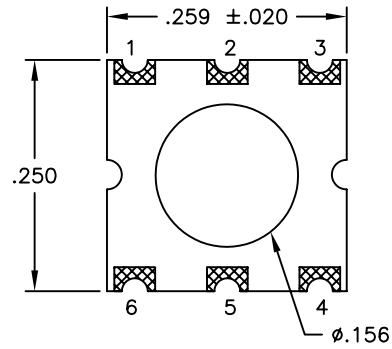
SHEET:

1

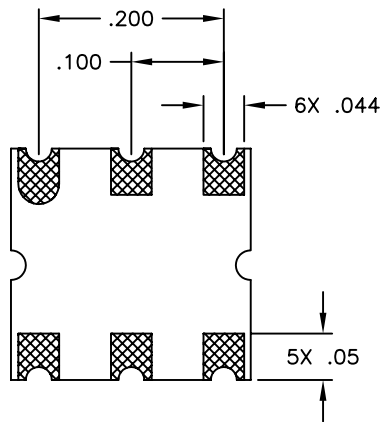
REV.

M15

MECHANICAL SPECIFICATIONS:



SUGGESTED LAND PATTERN



© Copyright, 2014. Pulse Electronics, Inc. All rights reserved. Drawing specifications subject to change without notice. Date (02/17/14)

PULSE CONFIDENTIAL
&
PROPRIETARY

PRODUCT SPECIFICATION:
CPLR, IND, 14DB 5-1000MHz, SM

DWG. NO./ PART NO.	SHEET:	REV.
CX3120NL	2	M15