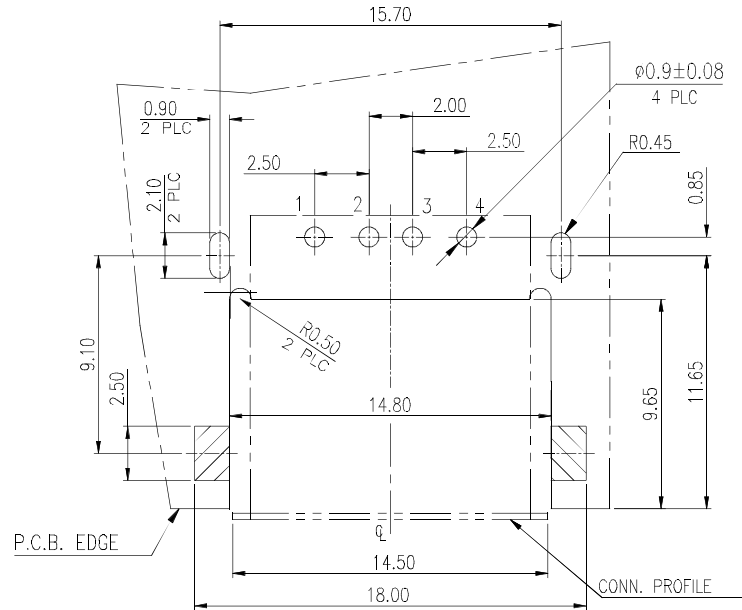
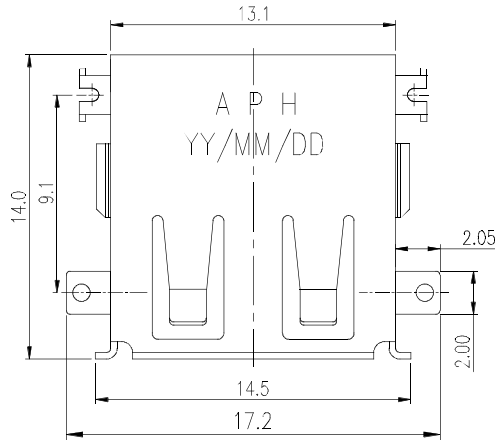


This document is the property of Amphenol Corporation and is delivered on the express condition that it is not to be disclosed, reproduced or used, in whole or in part, for manufacture or sale by anyone other than Amphenol Corporation without its prior consent, and that no right is granted to disclose or to use any information in this document.

The marking on this product doesn't contain environmental hazardous materials per Material Specification 55-00259 For Sony GP compliant or per directive 2011/65/EU for RoHS compliant.

ORIGINAL

REVISIONS				
S/No	ECN No.	DESCRIPTION	DATE	APPROVED
A		RELEASE REVISION	10/04/2011	Arron Lin
B	NE-14085	ADD YELLOW COLOR AND 2.5mm TAIL OPTION	05/08/2014	Arron Lin



RECOMMEND P.C.B LAYOUT (THICKNESS=1.2mm)
(COMPONENT SIDE) TOLERANCE±0.05

RECOMMEND SOLDER PAD AREA

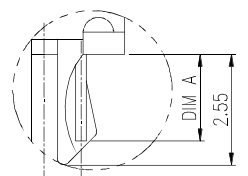
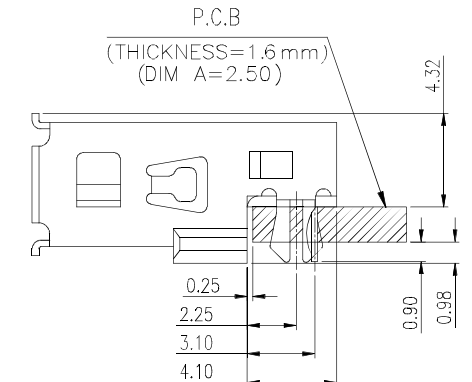
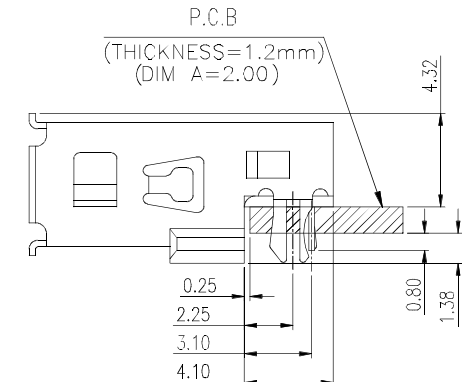
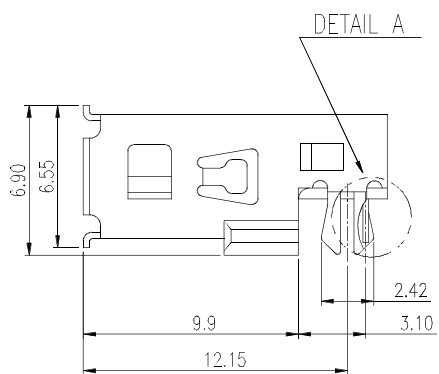
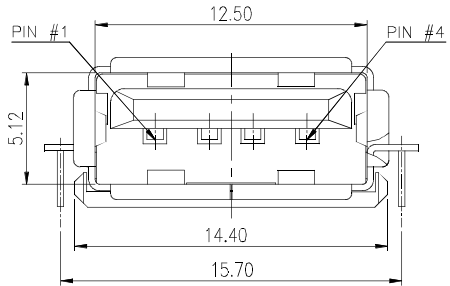
NOTES:

- MATERIAL:
HOUSING: HIGH TEMPERATURE THERMAL PLASTIC PART , UL94V-0, COLOR: OPTIONS.
TERMINAL: COPPER ALLOY.
SHELL: COPPER ALLOY.
- FINISH:
TERMINAL:
CONTACT AREA: 30 μ" GOLD PLATING.
SOLDERING AREA: MATTE TIN PLATING 100 μ" THICKNESS MIN.;
UNDER PLATING: NICKEL PLATING 50 μ" THICKNESS MIN.OVERALL
SHELL:
MATTE TIN PLATING 100 μ" THICKNESS MIN. OVERALL;
NICKEL UNDER PLATING 50 μ" THICKNESS MIN. OVERALL
- PACKING IS PER AMTA PACKING SPECIFICATION PKS-0001.
- THIS PRODUCT DOESN'T CONTAIN ENVIRONMENTAL HAZARDOUS PER DIRECTIVE 2011/65/EU FOR RoHS COMPLIANT.

GSB1262 X X A1EU

COLOR OPTIONS
1: BLACK
4: YELLOW (107U)

DIM A OPTIONS
BLANK: 2.00mm
E: 2.50mm

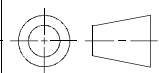


DETAIL A
SCALE 2:1

TOLERANCE	APPROVALS	DATE	TITLE
X.	DRAWN		USB CONNECTOR, A TYPE RECEPTACLE, SINK TYPE
X.X ±0.30	Debby Hung	05/08/2014	
X.XX ±0.20	CHECKED		
X.XXX ±0.10	Roger Tsai	05/08/2014	
ANGULAR ±1°	APPROVED		
	Arron Lin	05/08/2014	
UNLESS OTHERWISE SPECIFIED	DWG TYPE	PROJECT CODE	
	CUST DWG	OTHER	

UNIT	SIZE	PART No.
mm	A3	GSB1262XXA1EU
SCALE	SHEET	DWG No.
NA	1 OF 2	GSB1262XXA1EU

Amphenol®	
Amphenol Corporation Amphenol Taiwan Corporation	
REV. B	



This document is the property of Amphenol Corporation and is delivered on the express condition that it is not to be disclosed, reproduced or used, in whole or in part, for manufacture or sale by anyone other than Amphenol Corporation without its prior consent, and that no right is granted to disclose or to use any information in this document.

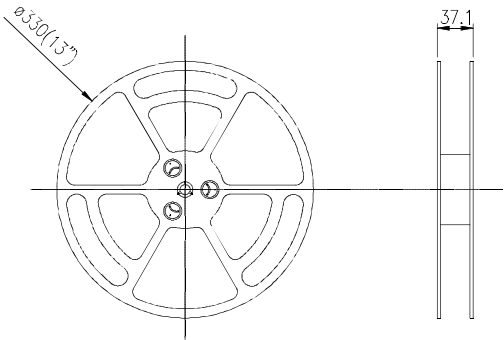
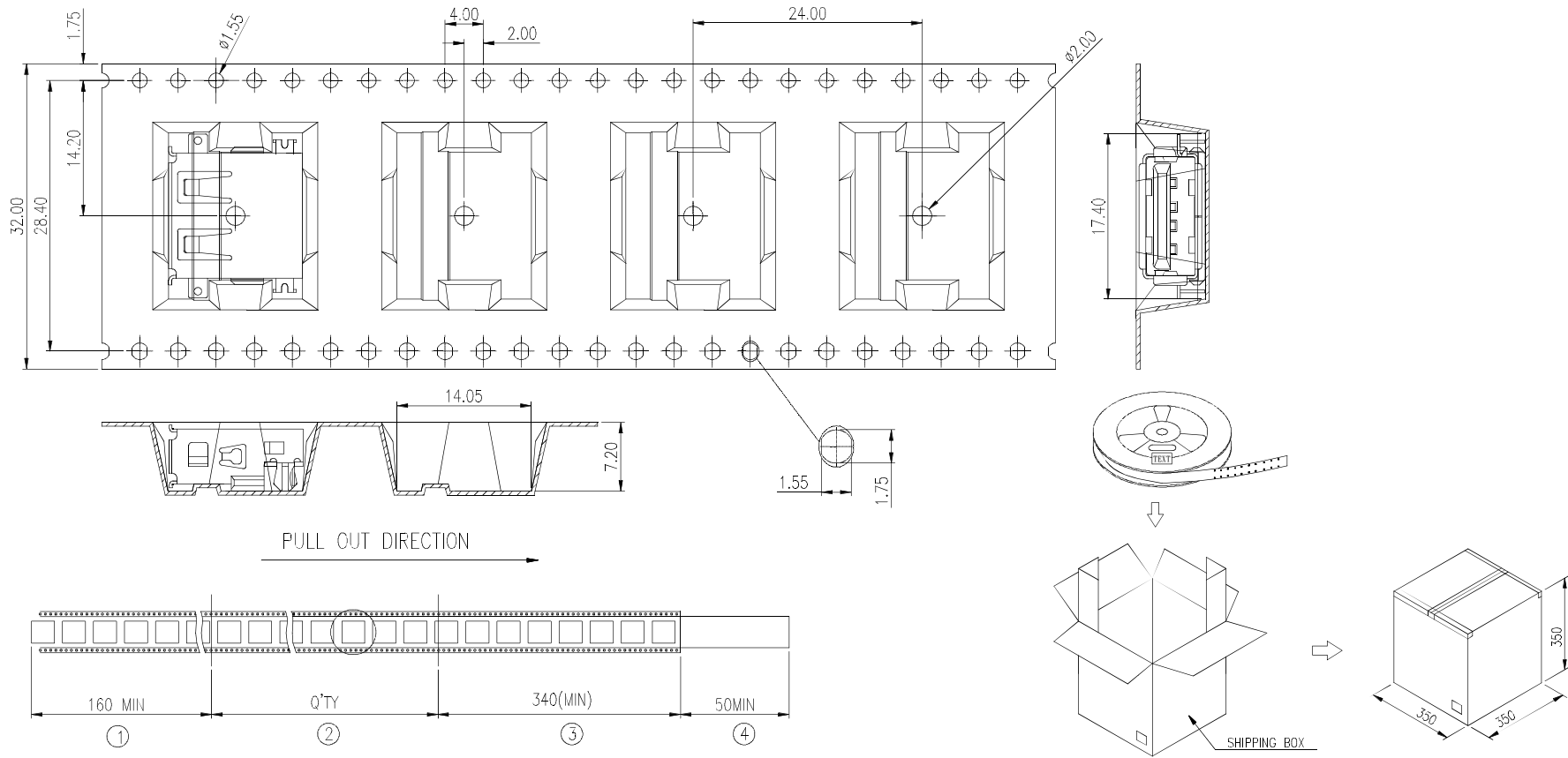
The marking on this product doesn't contain environmental hazardous materials per Material Specification SS-00259 for Sony GP compliant or per directive 2011/65/EU for RoHS compliant.



ORIGINAL

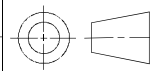


REVISIONS				
SYM	ECN No.	DESCRIPTION	DATE	APPROVED
A		RELEASE REVISION	10/04/2011	Arron Lin
B	NE-14085	ADD YELLOW COLOR AND 2.5mm TAIL OPTION	05/08/2014	Arron Lin



PACKAGING BY TAPE&REEL	10.25	4.95	350	9	3150	GSB1262XXA1EU
	G/W KG	N/W KG	PCS/ REEL	REELS/ CARTON	QUANTITY (PCS)	PART NUMBER

TOLERANCE	APPROVALS	DATE	TITLE		PART No.	
X. ±0.30	DRAWN Debby Hung	05/08/2014	USB CONNECTOR, A TYPE RECEPTACLE, SINK TYPE		GSB1262XXA1EU	
X.X ±0.20	CHECKED Roger Tsai	05/08/2014				
X.XX ±0.10	APPROVED Arron Lin	05/08/2014	UNLESS OTHERWISE SPECIFIED		GSB1262XXA1EU	
ANGULAR ±1°	DWG TYPE CUST DWG	PROJECT CODE OTHER				



UNIT	mm	SIZE	A3
SCALE	NA	SHEET	2 OF 2

DWG No.	GSB1262XXA1EU	REV.	B
---------	---------------	------	---