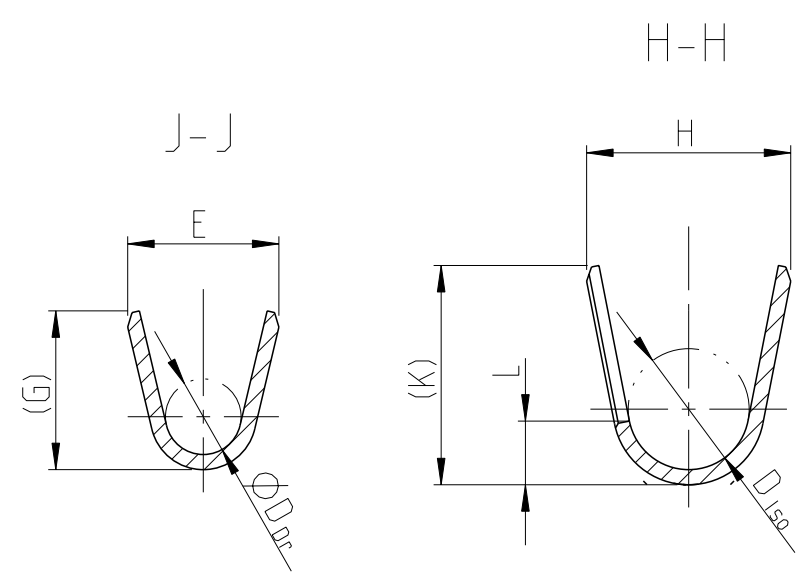
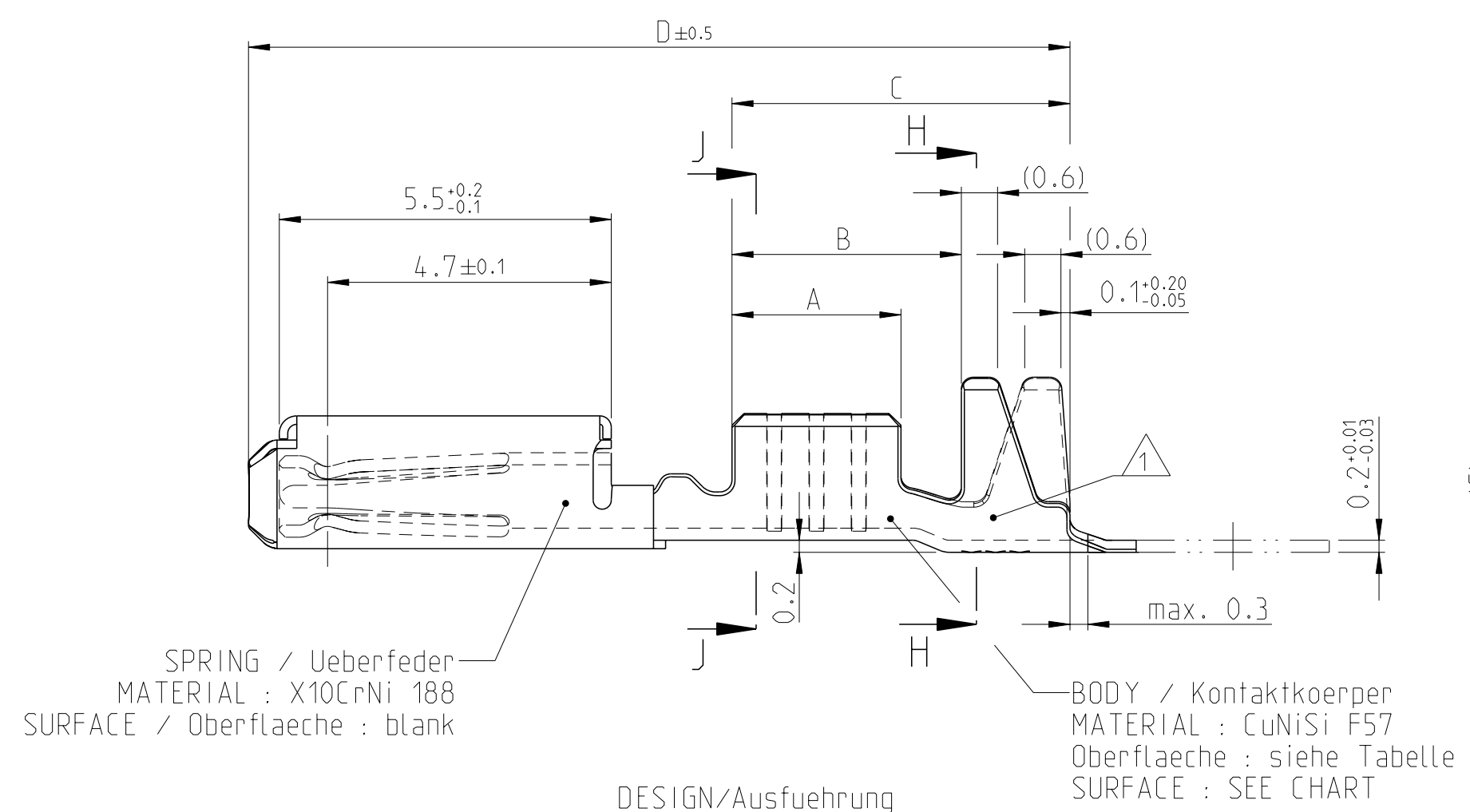
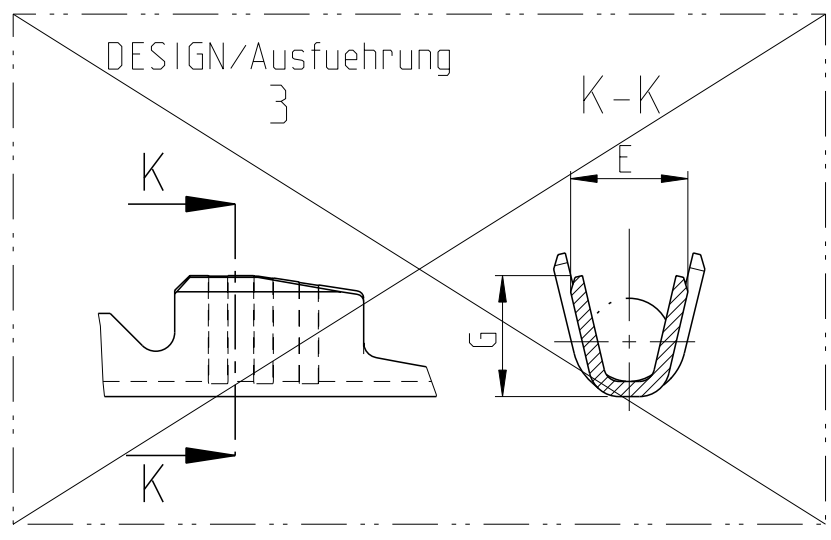
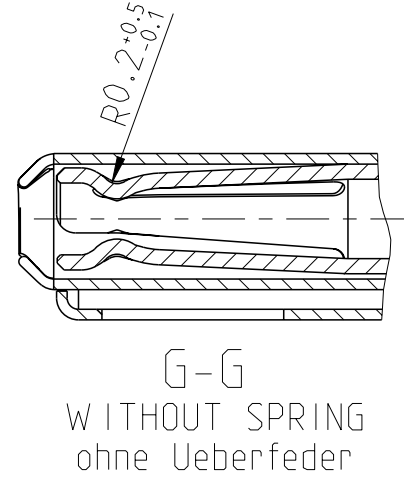
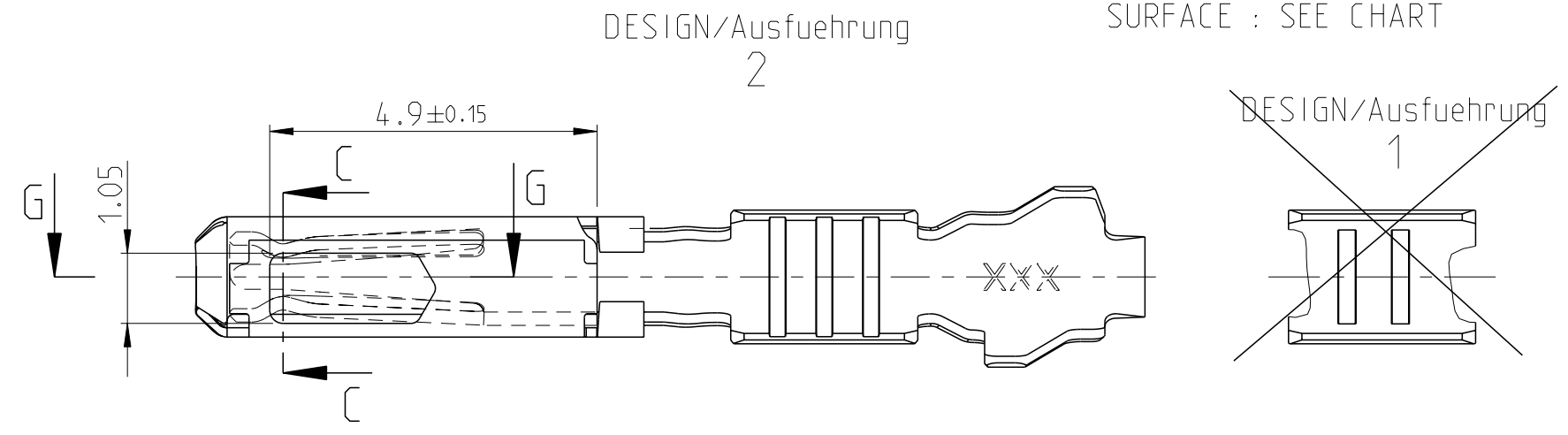
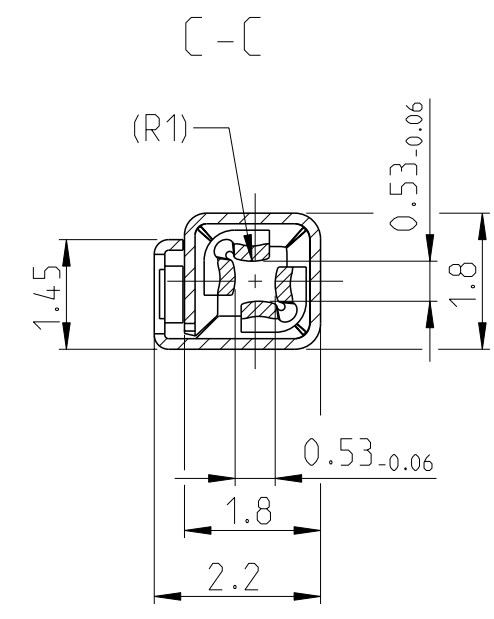
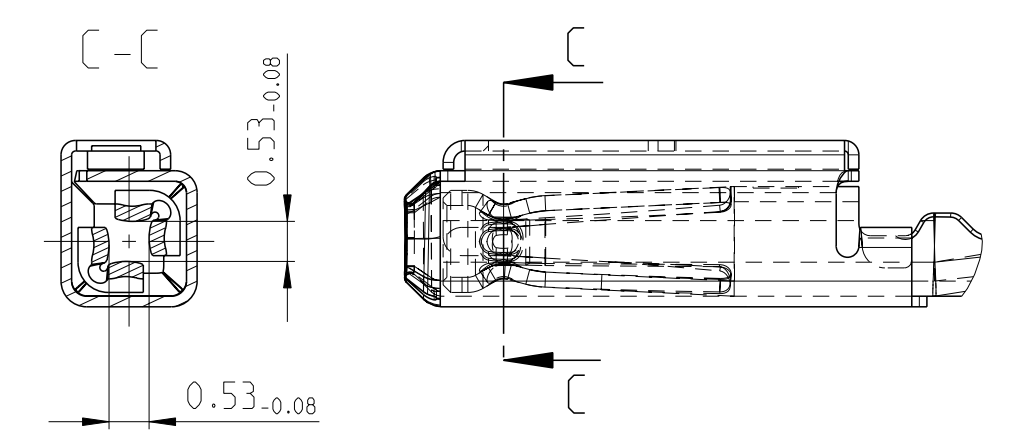


THIS DRAWING IS UNPUBLISHED. RELEASED FOR PUBLICATION 2009
 © COPYRIGHT 2009 ALL RIGHTS RESERVED.

LOC	DIST	REVISIONS					
A1	-	P	LTR	DESCRIPTION	DATE	DWN	APVD
		C11		See PCN E-19-011079	09DEC2019	MAH.	BERG
		C12		See PCN E-20-001102	03SEP2020	MAH.	BERG
		C13		See PCN E-20-016678	12AUG2021	FRAN	BERG
		C14		Updated measurement G for 5-968221-X	27APR2023	FRAN	RIES

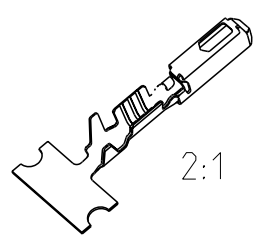
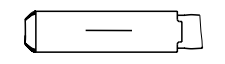
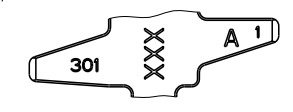


SILVER / GOLD VERSION
 Versilberte / vergoldete Ausfuehrung



NOTES
 Bemerkungen

- DATE-CODE (WEK/YEAR (E.G. WEEK NUMBER 30/ YEAR 2011)) AND TE REVISION (E.G. REV. A)
 Datumscode (Woche / Jahr, z.B. KW30/ Jahr 2011) und TE-Revision (z.B.Rev.A)
- SUITABLE FOR PIN CONTACT SEE DRAWING: TE: 929453
 Passend zu Stiftkontakt siehe Zeichnung: TE: 929453
- DETAILS OF DESIGN ARE LEFT TO MANUFACTURER
 Einzelheiten der Ausfuehrung bleiben dem Hersteller ueberlassen
- FOR FLR-CONDUCTOR ACCORDING TO DIN 72551-6 ONLY
 Nur fuer FLR-Leitung nach DIN 72551, Teil 6
- NOT FOR NEW APPLICATION
 nicht fuer Neuanwendung
- Bei doppelt fallenden Werkzeugen wird die erste Ueberfeder mit einer Kennzeichnung "-" versehen
 WITH DOUBLE OUT DIES THE FIRST SPRING WILL BE PROVIDED WITH AN INDICATION "-"



ODER NO. DESIGN	ODER NO. DESIGN	REV.	ODER NO. DESIGN	REV.	WIRE SIZE RANGE	SURFACE	LENGTH	WIRE CRIMP	INSU. CRIMP
Bestell-Nr. Ausfuehrung	Bestell-Nr. Ausfuehrung		Bestell-Nr. Ausfuehrung		DGB	Oberflaeche	Laenge	Drahtcrimp	Iso' crimp
2	3		1	5	mm ²		DIMENSIONS/ Abmessungen mm		
5-968221-6		A	7 968221-6	A	0.5-0.75	Ag	A = 2.8	E = 2	H = 2.7
5-968221-5		A	7 968221-5	C		Au	B = 3.8	G = 2.1	K = 2.9
5-968221-1		A	7 968221-1	C		Sn	C = 5.6	D _{Dr} = 1	L = 0.7
5-968220-6		A	7 968220-6	C	0.25-0.35	Ag	A = 2.5	E = 1.8	H = 2.3
5-968220-5		A	7 968220-5	C		Au	B = 3.6	G = 1.8	K = 2.3
5-968220-1		A	7 968220-1	C		Sn	C = 5.6	D _{Dr} = 0.8	L = 0.6
	2208453-6	A			0.08-0.22	Ag	A = 2.5	E = 1.6	H = 2
	2208453-5	A				Au	B = 3.7	G = 1.6	K = 1.9
	2208453-1	A				Sn	C = 5.4	D _{Iso} = 1.1	D _{Iso} = 1.4

THIS DRAWING IS A CONTROLLED DOCUMENT.

DWN	06AUG2003	TE Connectivity
CHK	Abraham.G	
	07AUG2003	
APVD	Kampmann.H.	NAME
		PRODUCT SPEC
		108-18030
		APPLICATION SPEC
		114-18021
MATERIAL		WEIGHT
		CUSTOMER DRAWING

SIZE	CAGE CODE	DRAWING NO	RESTRICTED TO
A2	00779	C-1355900	
SCALE	10:1	SHEET	1 OF 1
REV			C14

printed on 27 Apr 2023 17:01 (Mittelreup from TE220462)