

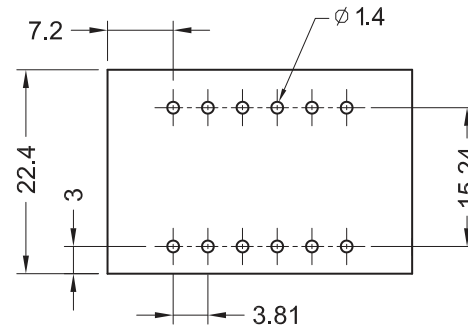
1

2

3

4

5



RECOMMENDED PCB LAYOUT - COMPONENT VIEW

TECHNICAL CHARACTERISTICS

MATERIAL

INSULATOR: PA 66
 FLAMABILITY RATING: UL94-V0
 COLOR: GREEN
 CONTACT MATERIAL: BRASS (CuZn)
 PLATING: TIN PLATED

ENVIRONMENTAL

OPERATING TEMPERATURE: -40 UP TO 105°C
 COMPLIANCE: LEAD FREE AND ROHS

ELECTRICAL

CURRENT RATING: 10A
 WORKING VOLTAGE: 300VAC
 WITHSTANDING VOLTAGE: 2000 V AC/MN
 INSULATION RESISTANCE: >2000M OHM
 CONTACT RESISTANCE: 20 mOhm MAX

STANDARD

 CERTIFIED E315414

SCREW: M2.5

PITCH: 3.81mm

SOLDERING

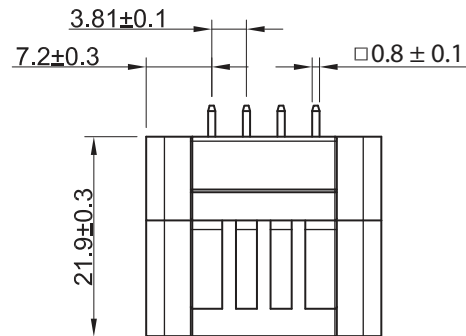
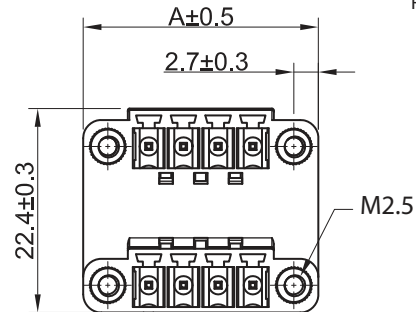
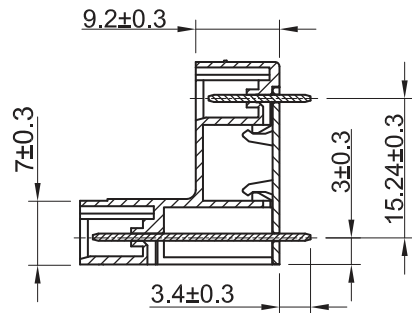
JEDEC LEAD FREE WAVE SOLDERING PROCESS

PACKAGING

BOX

DIMENSION

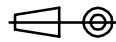
PINS	A
4	18.21
6	22.02
8	25.83
10	29.64
12	33.45
14	37.26
16	41.07



RoHS Compliant

REV	DATE	FILE	BY
G			
F			
E			
D	07-JUL-15	UPDATE	AK
C	29-JUL-13	DWG REVIEW	QL
B	15-MAY-13	UL	JC
A	30-JAN-13	PDF	QL

PROJECTION:



APPROVAL: FBr

GENERAL TOLERANCE

.X = +/- 0.2

.XX = +/- 0.15



UNIT: MM

SCALE:

SHEET: 1/2

DRAW: QL

DESCRIPTION: SERIE 357B - 3.81MM DOUBLE LEVEL VERTICAL MALE
 PCB HEADER WITH FLANGES TYPE WR - TBL

WERI PART NO: 691 357 300 0xxB

SIZE

A4

1

2

3

4

5

Cautions and Warnings:

This electronic component is designed and developed with the intention for use in general electronics equipments.

Before incorporating the components into any equipments in the field such as aerospace, aviation, nuclear control, submarine, transportation, (automotive control, train control, ship control), transportation signal, disaster prevention, medical, public information network etc. where higher safety and reliability are especially required or if there is possibility of direct damage or injury to human body, Würth Elektronik must be asked for a written approval.

In addition, even electronic component in general electronic equipments, when used in electrical circuits that require high safety, reliability functions or performance, the sufficient reliability evaluation-check for the safety must be performed before by the user before usage.

A

B

C

RoHS Compliant

G				PROJECTION: 	GENERAL TOLERANCE .X = +/- 0.2 .XX = +/- 0.15		
F							
E							
D							
C				APPROVAL: JC	UNIT: MM	DESCRIPTION: DISCLAIMER	SIZE A4
B					SCALE:		
A	10-SEP-14	PDF	QL		SHEET: 2/2	WERI PART NO: DISCLAIMER	
REV	DATE	FILE	BY		DRAW: QL		

D