

NOTES

- △ 適合ターミナル: 502057シリーズ
APPLICABLE TERMINAL: 502057 SERIES
- 2. 嵌合相手: 502055,502125,502109シリーズ
MATE WITH: 502055,502125,502109 SERIES

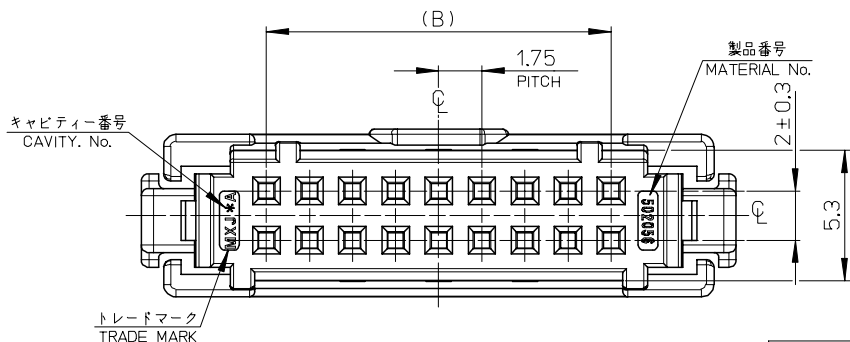
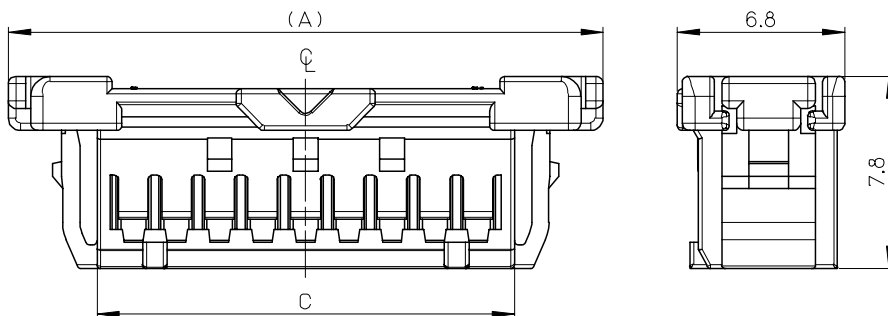
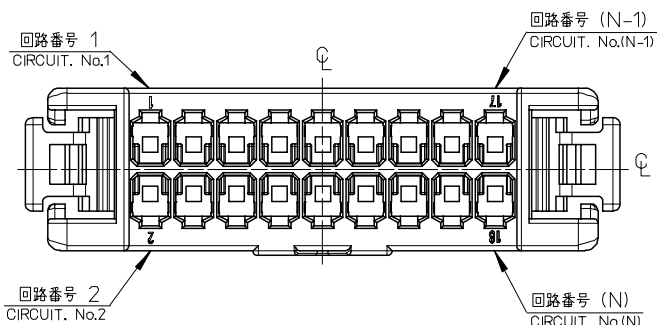
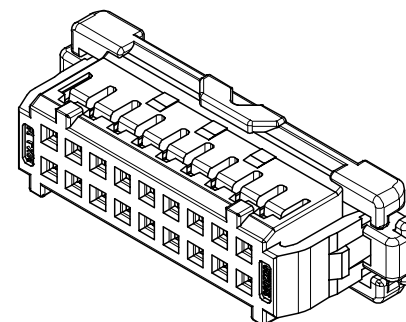
- △ (極数/2)=(偶数)に適用。
APPLY FOR CIRCUIT. SIZE / 2 = EVEN.

- △ 製品番号は以下の内容を示す。
THE MATERIAL No. SHOWS THE FOLLOWING CONTENT.
<MATERIAL No.>
502056-**0*

極数 CIRCUIT SIZE | 色 COLOR

自然色 NATURAL	0	全極数
赤 RED	2	全極数
青 BLUE	4	全極数
緑 GREEN	6	全極数
茶 BROWN	7	全極数
紫 PURPLE	9	12極18極
△ 色 COLOR	COLOR No.	適応極数 ADAPTATION CIRCUIT

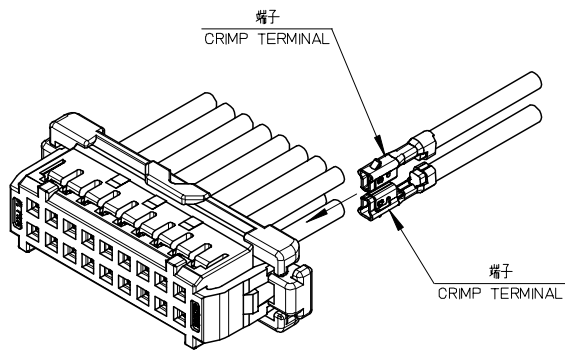
- 5. ハーネス加工時及び輸送時においては、コネクタ間での絡みや、衝撃、梱包時の積み重ねによる負荷がかからないようにご注意ください。
WHEN TAKING A HARNESS, CONNECTOR SHELL BE USED FREE FROM DIRECT EXCESSIVE FORCE AND TWISTED.
- 6. ELV及びRoHS適合品
ELV AND RoHS COMPLIANT.
- 7. 製品の取り扱いについては、コネクタ取り扱い説明書(AS-502056-001)を参照願います。
PLEASE REFER TO INSTRUCTION MANUAL(AS-502056-001) FOR 1.75 W/B CONN. DUAL ROW.



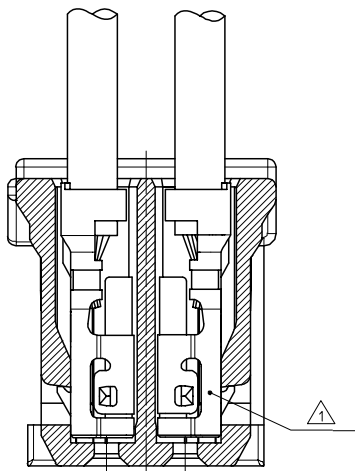
SEE NOTE △ 注記 △ 参照	16.95	14	24.15	502056-180*	18	502056-**0*
	13.45	10.5	20.65	502056-140*	14	
	11.7	8.75	18.9	502056-120*	12	
	9.95	7	17.15	502056-100*	10	
	8.2	5.25	15.4	502056-080*	8	
適応色 ADAPTATION COLOR	C	B	A	△ 製品番号 MATERIAL No.	極数 CIRCUIT	MODEL No.

REVISED EC No: J2008-1297 DRW:SSAT002 2007/10/15 CHK:DN.MATSUURA 2007/10/16 APPR:YO.ITO 2007/10/16	DESCRIPTION	GENERAL TOLERANCES (UNLESS SPECIFIED)		DIMENSION STYLE MM ONLY		SCALE 4:1	DESIGN UNITS METRIC	THIRD ANGLE PROJECTION
		10 UNDER	±0.2	DRAWN BY S.AKIYAMA	DATE 2007/05/31	TITLE 1.75 W/B CONN. DUAL ROW REC. HS'G		
		10 OVER 30 UNDER	±0.25	CHECKED BY N.MATSUURA	DATE 2007/05/31	MOLEX INCORPORATED		
		30 OVER	±0.3	APPROVED BY YO.ITO	DATE 2007/05/31			
		ANGULAR	±3 °	MATERIAL No.		DOCUMENT NO. SD-502056-001	SHEET No. 1 OF 2	
DRAFT WHERE APPLICABLE MUST REMAIN WITHIN DIMENSIONS		SEE CHART						

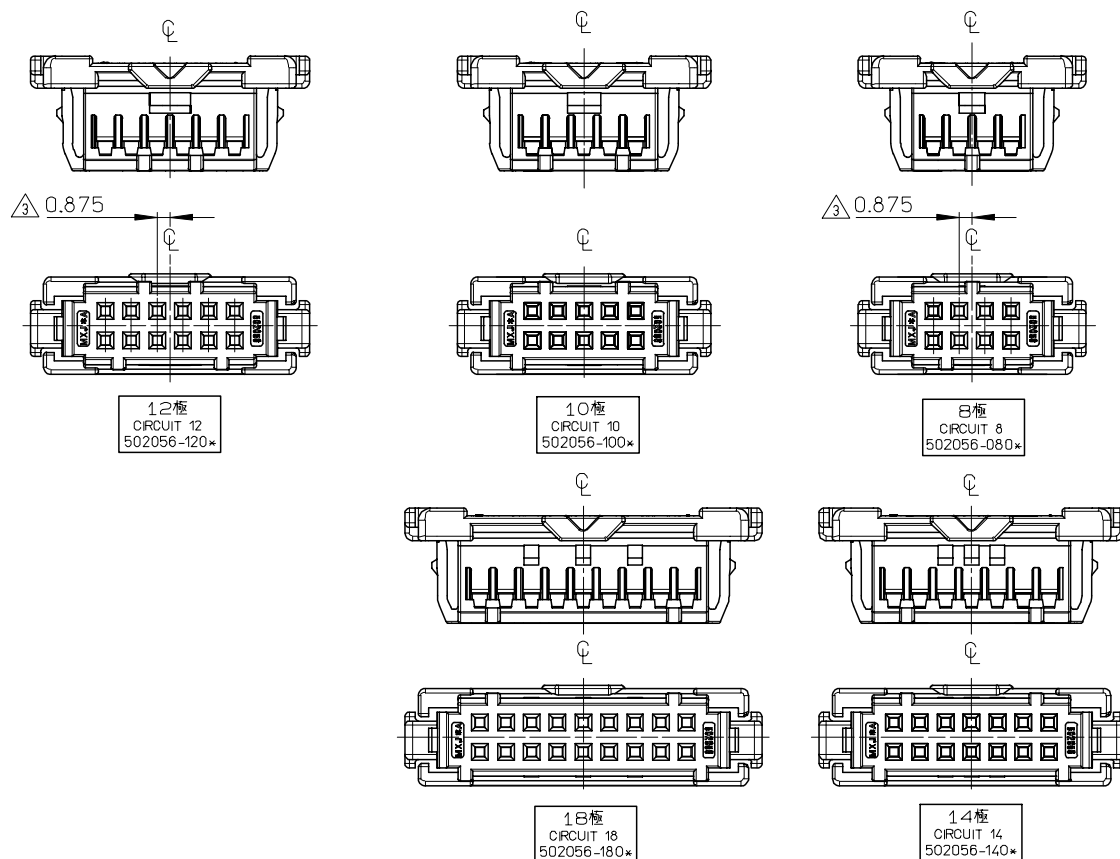
部品 PART	材質 MATERIAL	色: NOTE △ 参照 COLOR: SEE NOTE △.
ハウジング HOUSING	66ナイロン, UL94V-0 66NYLON, UL94V-0	



端子装着状態図
CRIMP TERMINAL ASSEMBLY DRAWING



端子装着状態断面図
CRIMP TERMINAL ASSEMBLY DRAWING
(SCALE 20:1)



各極外觀図(8、10、12、14、18極)
VIEW OF 8,10,12,14,18 CIRCUIT.
(SCALE 3:1)

REVISED EC NO: J2008-1297 DRWNGSATO02 2007/10/15 CHKDN.MATSUURA 2007/10/16 APPR:YO.ITO 2007/10/16 B REV	GENERAL TOLERANCES (UNLESS SPECIFIED)		DIMENSION STYLE MM ONLY	SCALE 4:1	DESIGN UNITS METRIC	THIRD ANGLE PROJECTION
	10 UNDER	±0.2	DRAWN BY S.AKIYAMA	DATE 2007/05/31	TITLE 1.75 W/B CONN. DUAL ROW REC. HS'G	
	10 OVER 30 UNDER	±0.25	CHECKED BY N.MATSUURA	DATE 2007/05/31	MOLEX INCORPORATED DOCUMENT NO. SD-502056-001 SHEET NO. 2 OF 2	
	30 OVER	±0.3	APPROVED BY YO.ITO	DATE 2007/05/31		
	ANGULAR ±3 °		MATERIAL NO. SEE CHART			
DRAFT WHERE APPLICABLE MUST REMAIN WITHIN DIMENSIONS		SIZE A3 THIS DRAWING CONTAINS INFORMATION THAT IS PROPRIETARY TO MOLEX INCORPORATED AND SHOULD NOT BE USED WITHOUT WRITTEN PERMISSION				