

NOTES:

1. MATERIALS AND FINISH (IN MICRO-INCHES)

- BODY = ZINC DIECAST (PER ASTM B86), MATTE TIN PLATED
- INSULATOR = PTFE PER ASTM D1710, COLOR: NATURAL
- HOUSING = PPE+PS, COLOR: PER TABLE
- FERRULE = COPPER (PER ASTM B75), NICKEL PLATED
- O-RING = SILICONE RUBBER, COLOR: RED
- SHRINK TUBING = POLYOLEFIN, ADHESIVE LINED, COLOR: BLACK

CONTACT SUPPLIED SEPARATELY AS P/N:

- 1. FKCP03302 (5,000 PCS. REEL), CRIMP AREA: NICKEL PLATED
  - 2. 923-10734 (5,000 PCS. REEL), CRIMP AREA: TIN PLATED
- CABLE DEFINITIONS PER AMPHENOL REPORT DE825

2. ELECTRICAL:

- A. IMPEDANCE: 50 OHM, NOMINAL
- B. FREQUENCY RANGE: DC-3.0 GHz
- C. VSWR(RETURN LOSS): 1.200 (-20.8dB) MAX.(DC-200 MHz)  
 (MATED PAIR) 1.400 (-15.6dB) MAX.(200 MHz-2.0 GHz)  
 1.500 (-13.9dB) MAX.(2.0-3.0 GHz)
- D. D.W.V.: 800 VRMS, MIN.

3. MECHANICAL:

- A. DURABILITY: 100 CYCLES MIN.
- B. TEMPERATURE RANGE: -40° C TO 85° C
- C. USCAR-17 COMPLIANT
- D. INTERFACE PER DIN 72594-1
- E. ENVIRONMENTAL SEAL (WHEN MATED): IP67

4. PACKAGING:

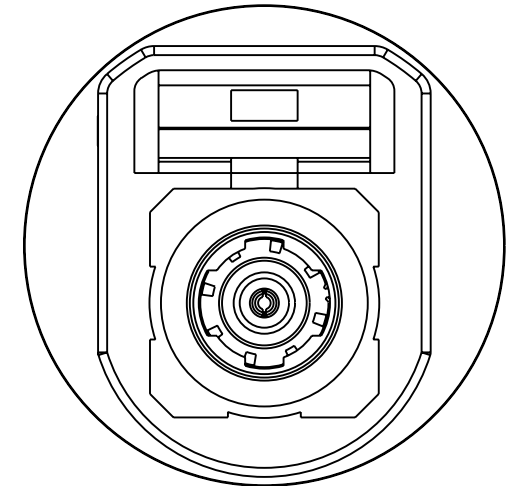
- A. QUANTITY: TRAY PACK
- B. MARKING: TRAY TO BE MARKED  
 "AMPHENOL RF, 3FAIENXSJ-C04ES, AND DATE CODE"

5. CABLE ASSEMBLY INSTRUCTIONS PER 349-50910

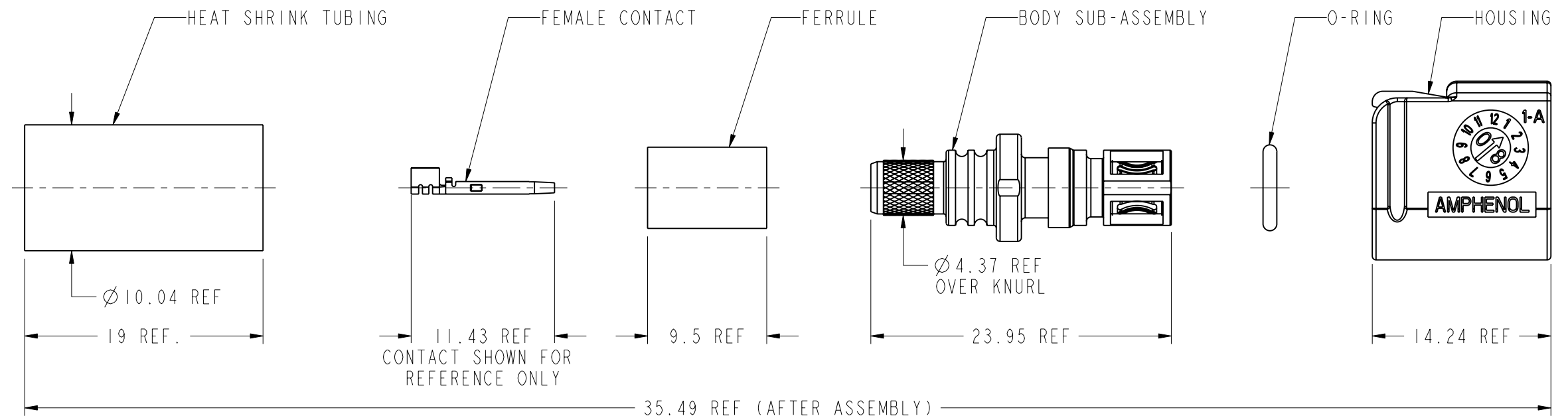
THIRD ANGLE PROJ.

REVISIONS

REV	DESCRIPTION	DATE	ECO	APPR
A	RELEASE TO MFG.	21-Sep-16	01661	EW
B	ADDED TIN PLATED CONTACT SELECTION IN NOTE 1	15-Mar-18	06181	HL



Ø 15.9mm CLEARANCE  
SCALE 4.000



CODING	DRAWING NO.	COLOR	RAL NO.
A	3FAIENASJ-C04ES	JET BLACK	9005
B	3FAIENBSJ-C04ES	CREAM	9001
C	3FAIENCSJ-C04ES	SIGNAL BLUE	5005
D	3FAIENDSJ-C04ES	CLARET VIOLET	4004
E	3FAIENESJ-C04ES	LEAF GREEN	6002
F	3FAIENFSJ-C04ES	NUT BROWN	8011
G	3FAIENG SJ-C04ES	BLUE GREY	7031
H	3FAIENHSJ-C04ES	HEATHER VIOLET	4003
I	3FAIENISJ-C04ES	BEIGE	1001
K	3FAIENKSJ-C04ES	CURRY	1027
L	3FAIENLSJ-C04ES	CARMINE RED	3002
M	3FAIENMSJ-C04ES	PASTEL ORANGE	2003
N	3FAIENNSJ-C04ES	PASTEL GREEN	6019
Z	3FAIENZSJ-C04ES	WATER BLUE	5021

**CONFIGURATION CONTROL:**  
NO CHANGES PERMITTED TO DRAWING WITHOUT  
PPAP QUALIFIED CUSTOMER APPROVAL

**CUSTOMER OUTLINE DRAWING**

ALL OTHER SHEETS ARE FOR INTERNAL USE ONLY

UNLESS OTHERWISE SPECIFIED, DIMENSIONS ARE IN METRIC AND TOLERANCES ARE: <0.5mm ±0.05mm    0.5 - 6mm ±0.1mm    6 - 30mm ±0.2mm    30 - 120mm ±0.3mm    ANGLES ±1°	MATERIAL	DRAWN E WANKOFF	DATE 12/9/15	TITLE GEN 3.5 FAKRA JACK, C04 CABLE GROUP, IP67 SEALED TAPE AND REEL CONTACT (SUPPLIED SEPARATELY)	Amphenol RF www.amphenolrf.com
	REFERENCE EAR #7653 AND CONFIGURATION LEVEL:	ENGINEER E WANKOFF	DATE 12/9/15		
NOTICE - These drawings, specifications, or other data (1) are, and remain the property of Amphenol corp. (2) must be returned upon request; and (3) are confidential and not to be disclosed to any person other than those to whom they are given by Amphenol Corp. the finishing of these drawings, specifications, or other data by Amphenol Corp., or to any other person to anyone for any purpose is not to be regarded by implication or otherwise in any manner licensing, granting rights to permitting such holder or any other person to manufacture, use or sell any product, process or design, patented or otherwise, that may in any way be related to or disclosed by said drawings, specifications, or other data.	FINISH	APPROVED S.HSIEH	DATE 21-Mar-18	SCALE: 2.5:1.0    SHEET 2 OF 2	DRAWING NO. 3FAIENXSJ-C04ES
			CAD FILE		DWG SIZE B    REV B