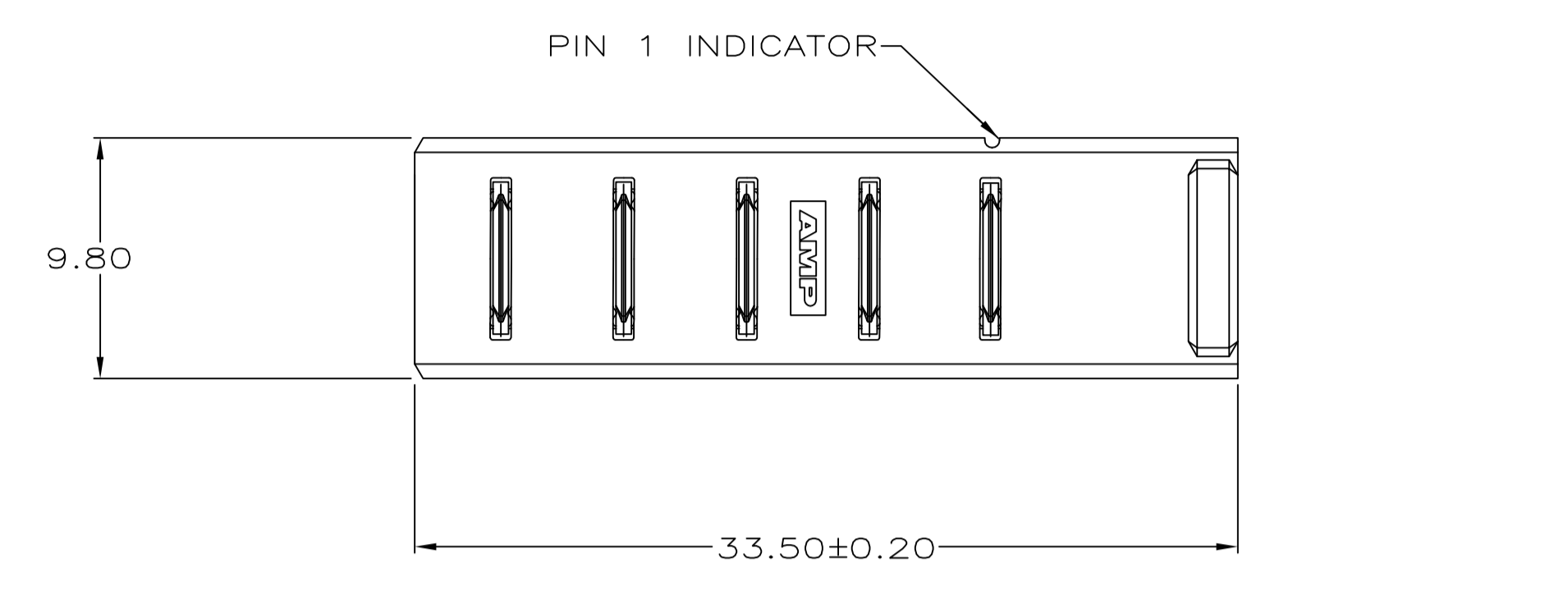
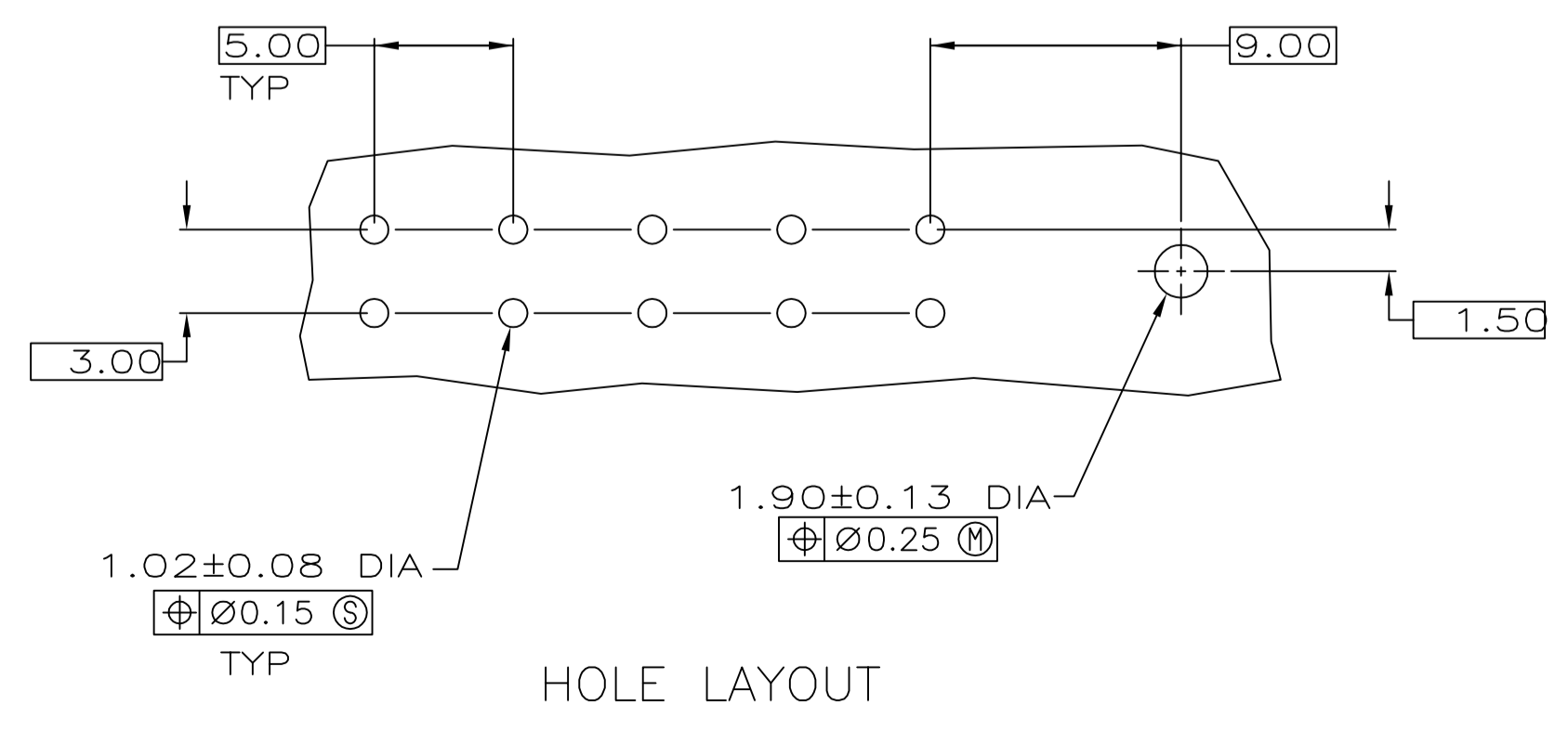
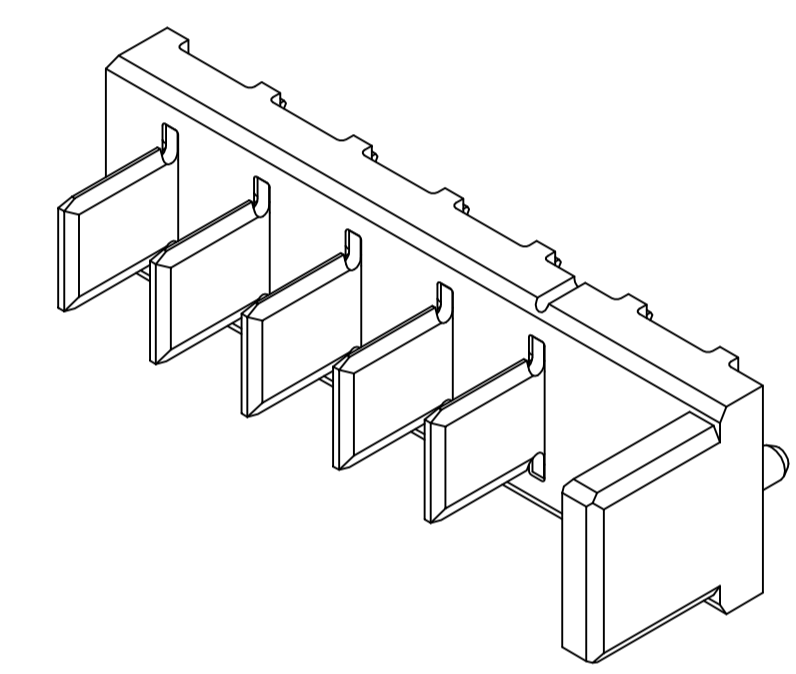
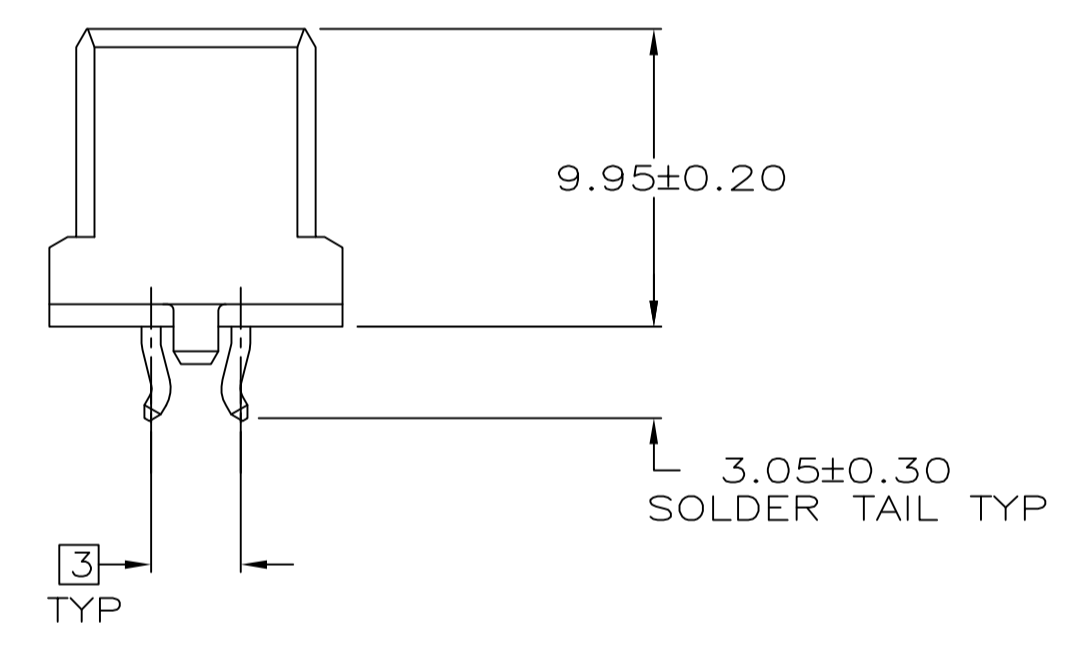
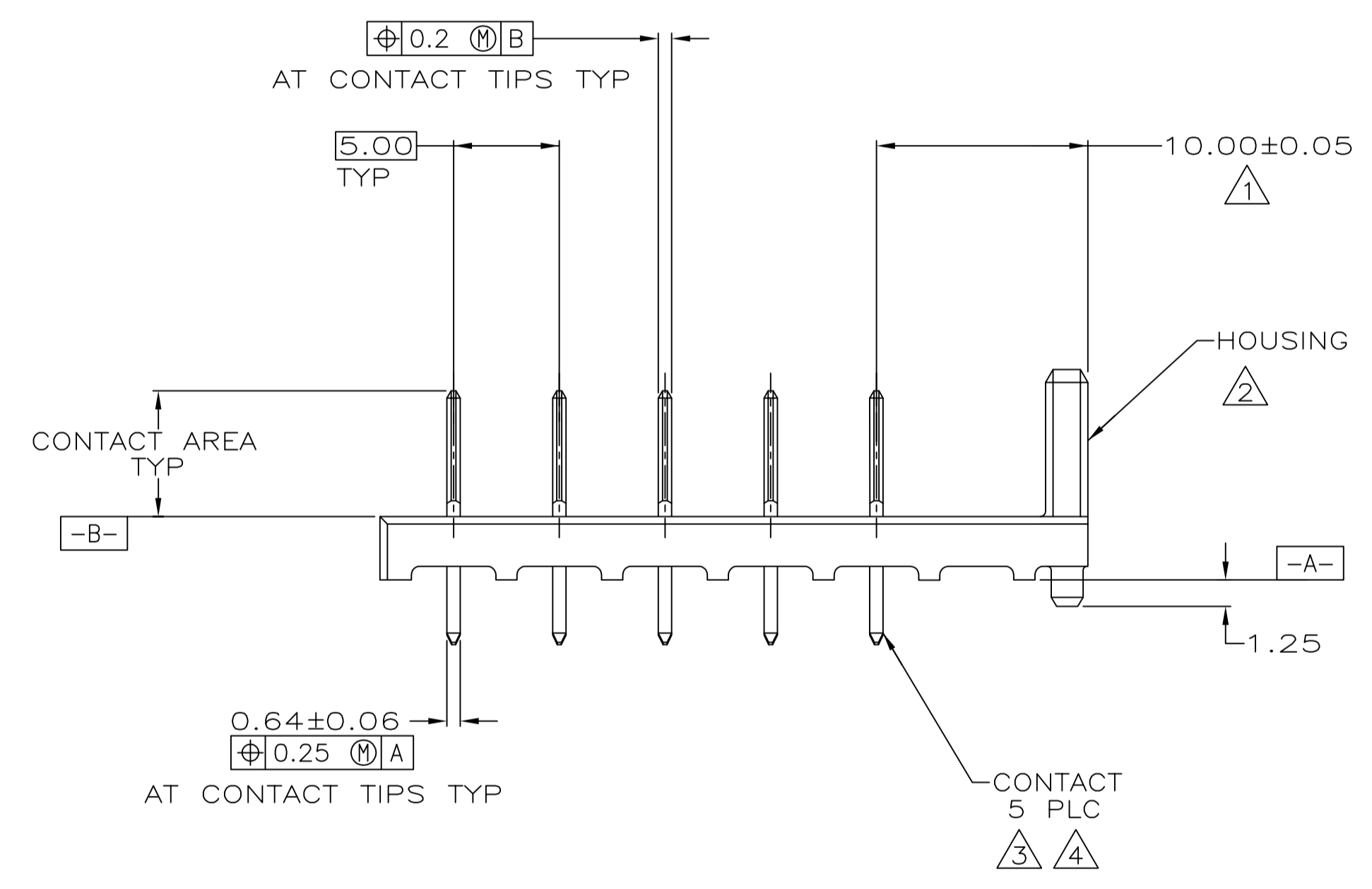


LOC		DIST		REVISIONS			
P	LTR	DESCRIPTION	DATE	DWN	APVD		
0		RLSE -1 PER NPR 5303 WAS 94-2197-06-1	03/16/95	SK	SK		
A		REV PER EC 0020-965-95	14 SEP 95	DG	RSK		
B		REV PER EC 0020-0657-96	12/06/96	JR	RK		
D		REVISED PER ECR-10-002761	02/09/10	S.W	S.Y		
D1		REVISED PER ECR-14-009533	07/07/14	AP	JHA		



- △ COORDINATE DIMENSION APPLIES FROM CENTER OF ACTUAL FEATURE.
- △ HOUSING: POLYPHTHALAMIDE, COLOR BLACK.
- △ 2.54 μm MIN TIN-LEAD ON SOLDER TAIL OVER 1.90 μm MIN NICKEL ALL OVER.
- △ CONTACTS: BRASS



SUPERCEDED BY 5787421-1 787421-1
 PART NO

<small>THIS DRAWING IS A CONTROLLED DOCUMENT FOR AMP INCORPORATED. IF IT IS SUBJECT TO CHANGE AND THE CONTROLLING ENGINEERING ORGANIZATION SHOULD BE CONTACTED FOR THE LATEST REVISION.</small>		DWN S.KLINE 03/16/95	TE Connectivity
<small>TOLERANCES UNLESS OTHERWISE SPECIFIED:</small>		CHK S.KLINE 03-17-95	
DIMENSIONS: mm		APVD S.KLINE 03-17-95	NAME HEADER ASSEMBLY, VERTICAL, 5mm t.
		PRODUCT SPEC 108-1501	5 POSN, SINGLE KEY, 10.8V, RETENTIVE SOLDER TAILS, BATTERY INTERCONNECT
MATERIAL SEE CALLOUTS		APPLICATION SPEC 114-24005	SIZE A1
FINISH SEE CALLOUTS		WEIGHT -	CAGE CODE 00779
		CUSTOMER DRAWING	DRAWING NO 787421
			SCALE 4:1
			SHEET 1 OF 1
			REV 01