



Electrical Specifications

Center Frequency: 67.5 MHz
Bandwidth: 16 MHz
Passband : 59.5 to 75.5 MHz
Insertion Loss: ≤ 3dB
Return Loss: >14dB @61-74 MHz
Ripple: <0.1dB @ 61-74 MHz
Rejection: >30dB @ @ 0-80 MHz
Rejection2: >60dB @ 82-90 MHz
Impedance: 50 Ohms

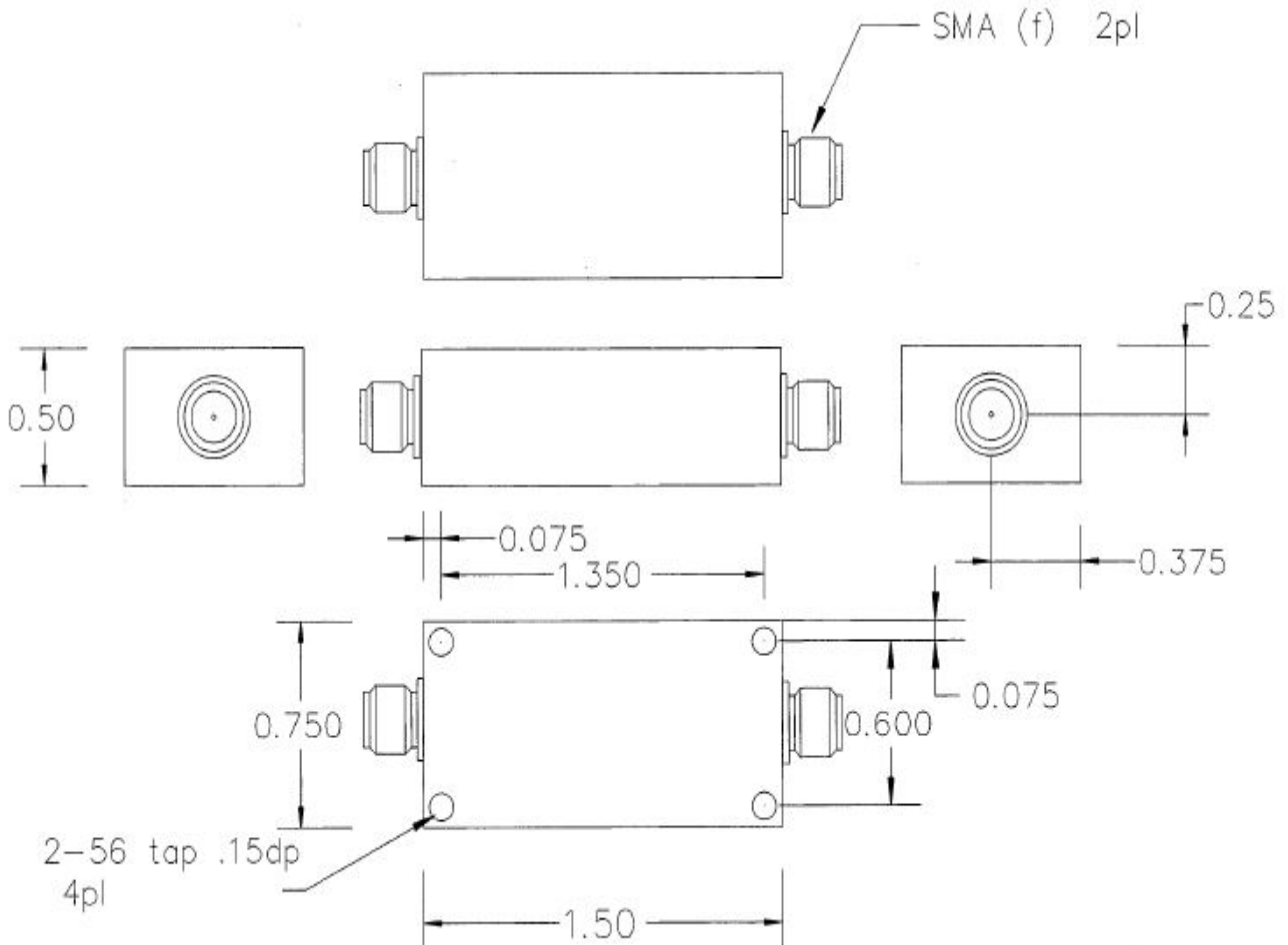
Mechanical

Connector Type: SMA(Female)
Dimensions: 1.350" x 0.750" x 0.50" in.

Environmental

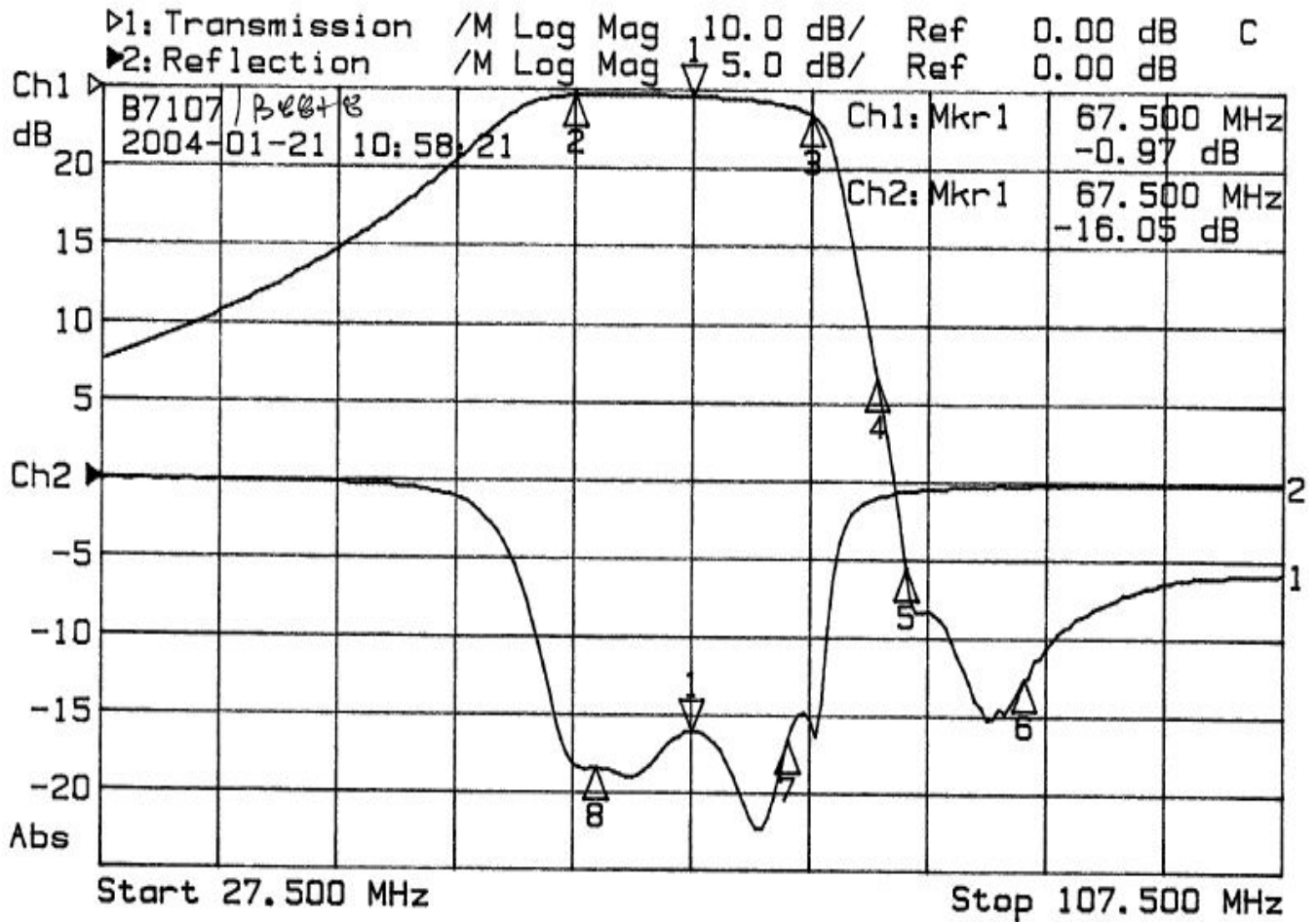
Operating Temperature: -25°C to +70°C
Storage Temperature: -40°C to +90°C
Shock: 10 G. 11ms
Vibration: 10 G. 5 to 200Hz

Outline Drawing:





Response Plot:



1: Mkr (MHz)	dB	2: Mkr (MHz)	dB
1> 67.50	-0.95	1> 67.50	-16.05
2: 59.50	-0.70		
3: 75.50	-3.22		
4: 80.00	-36.81		
5: 82.00	-61.29		
6: 90.00	-75.33		
		7: 74.00	-16.77
		8: 61.00	-18.49