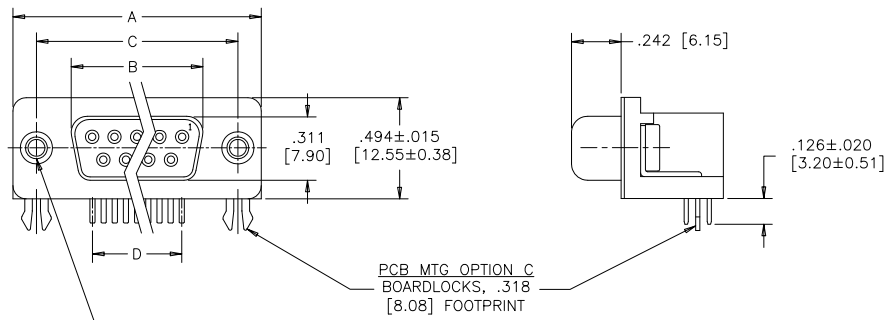


.318 [8.08] FOOTPRINT
(STANDARD PCB LAYOUT)

REVISIONS			
REV	ECN, ERN NO.	DATE	APPRD.
D	PRODUCT DRAWING (EAR 14658)	MAY07/18	K.L.
E	PRODUCT DRAWING (EAR 14576)	JUN12/20	K.L.



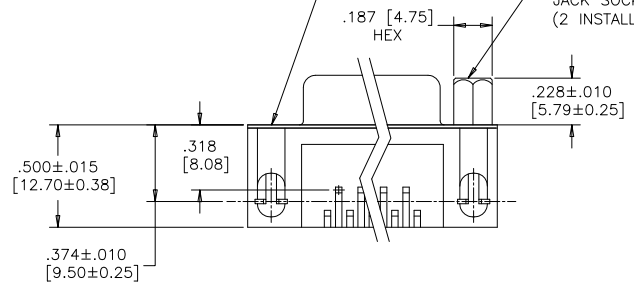
DIMENSIONS

SIZE	A±.015 [0.38]	B±.005 [0.13]	C±.005 [0.13]	D BSC.
009	1.213 [30.81]	.643 [16.33]	.984 [24.99]	.432 [10.97]
015	1.541 [39.14]	.971 [24.66]	1.312 [33.32]	.756 [19.20]
025	2.088 [53.04]	1.511 [38.38]	1.852 [47.04]	1.304 [33.12]
037	2.729 [69.32]	2.159 [54.84]	2.500 [63.50]	1.956 [49.68]

PANEL_MTG_OPTIONS_0_OR_1
.120 [3.05] DIA. OR #4-40
THROUGH HOLES (2 PLACES),
SEE ORDERING CODE.

PANEL_MTG_OPTION_2
#4-40 UNC THREADED HEX
JACK SOCKET
(2 INSTALLED)

PCB_MTG_OPTIONS_D_OR_J
ø.120 [3.05] MTG HOLE OR
#4-40 THREADED MTG HOLE,
.318 [8.08] FOOTPRINT



ORDERING CODE:

PART NUMBER: 6 E 1 7 X - X X X S X X - X 2 0 X

SERIES _____

PCB_MTG_OPTIONS _____

C=BOARDLOCK OPTION,
.318 [8.08] FOOTPRINT
D=ø.120 [3.05] MTG HOLE,
.318 [8.08] FOOTPRINT
J=#4-40 THREADED MTG HOLE,
.318 [8.08] FOOTPRINT
U=ø.120 [3.05] MTG HOLE,
.590 [14.99] FOOTPRINT
Y=BOARDLOCK OPTION,
.590 [14.99] FOOTPRINT

NUMBER_OF_CONTACTS _____
009, 015, 025, 037

STYLE _____
S=SOCKET

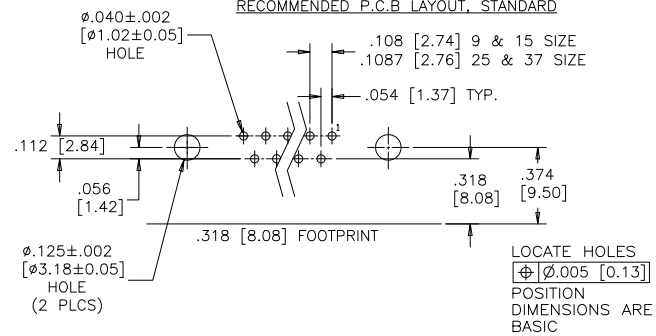
PCB_LAYOUT_CODE
NO DIGIT=STANDARD
.374 [9.50] DIM'N FOR .318 [8.08] F/P
.315 [8.00] DIM'N FOR .590 [14.99] F/P
E=.646 [16.41] DIM'N FOR .590 [14.99] F/P

SHELL_CHARACTERISTICS
20=NICKEL PLATED RECEPTACLE SHELL

PANEL_MOUNTING_OPTIONS
0=ø.120" [3.05] THROUGH HOLE
1=#4-40 THREADED HOLE
2=MOUNTING OPTION 1 WITH #4-40
UNC HEX JACK SOCKETS INSTALLED

CONTACT_PLATING_OPTIONS
BF=ENGAGEMENT AREA 3µ" [0.08 MICRONS] GOLD FLASH
CF=ENGAGEMENT AREA 15µ" [0.38 MICRONS] GOLD
AJ=ENGAGEMENT AREA 30µ" [0.76 MICRONS] GOLD

RECOMMENDED P.C.B LAYOUT, STANDARD



SEE SHEET 2 FOR NOTES & SPECIFICATIONS

DRAWN	A.CHENG	DATE	APR13/06
DESIGNED			
CHECKED	K.LAMBIE	DATE	APR13/06
I. E. APPRD.			
Q. A. APPRD.			
DWG. APPRD.			
ENG. REL. NO.			
REF.	EAR 12937		
DIMENSIONS ARE IN	INCHES	CODE ID. NO.	03554

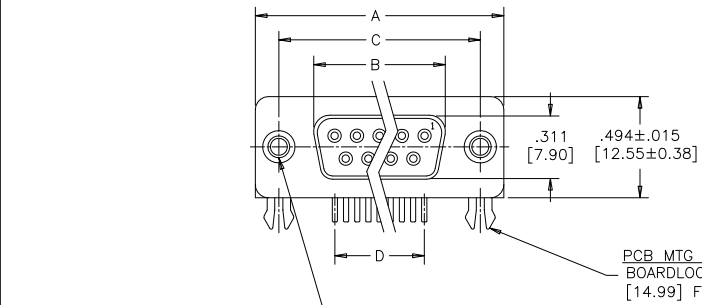
Amphenol Canada Corp.
Commercial Products

TITLE
6E17 SERIES D-SUB CONNECTOR, 9 TO 37
SIZE SOCKET, RIGHT ANGLE WITH F/P, MTG
AND PLATING OPTIONS, RoHS COMPLIANT

DWG	DRAWING NO.	REV.
C	P-6E17X-XXXSXX-X20X	E
SCALE	2/1	WT. -----
SURF.	-----	SHEET 1 OF 2

THIS DOCUMENT CONTAINS PROPRIETARY INFORMATION AND SUCH INFORMATION
MAY NOT BE DISCLOSED TO OTHERS FOR ANY PURPOSE OR USED FOR MANUFACTURING
PURPOSES WITHOUT WRITTEN PERMISSION FROM AMPHENOL CANADA CORP.

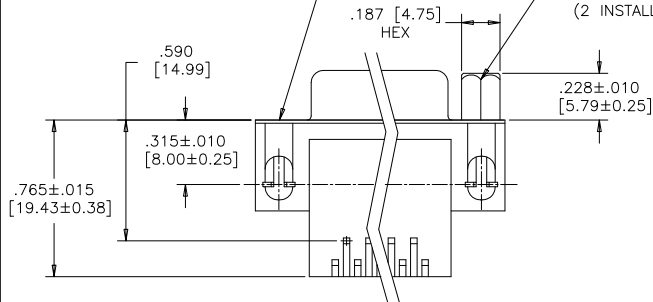
.590 [14.99] FOOTPRINT
(STANDARD PCB LAYOUT)



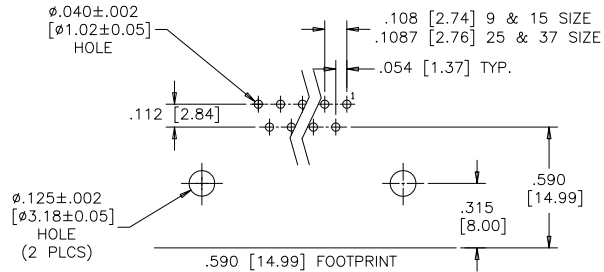
PCB MTG OPTION Y
BOARDLOCKS, .590
[14.99] FOOTPRINT

PANEL MTG OPTIONS 0 OR 1
.120 [3.05] DIA. OR #4-40
THROUGH HOLES (2 PLACES),
SEE ORDERING CODE.

PANEL MTG OPTION 2
#4-40 UNC THREADED HEX
JACK SOCKET
(2 INSTALLED)



RECOMMENDED P.C.B LAYOUT, STANDARD



LOCATE HOLES
⊕ | Ø.005 [0.13]
POSITION
DIMENSIONS ARE
BASIC

DIMENSIONS

SIZE	A±.015 [0.38]	B±.005 [0.13]	C±.005 [0.13]	D BSC.
009	1.213 [30.81]	.643 [16.33]	.984 [24.99]	.432 [10.97]
015	1.541 [39.14]	.971 [24.66]	1.312 [33.32]	.756 [19.20]
025	2.088 [53.04]	1.511 [38.38]	1.852 [47.04]	1.304 [33.12]
037	2.729 [69.32]	2.159 [54.84]	2.500 [63.50]	1.956 [49.68]

SPECIFICATIONS:

MATERIALS: ALL MATERIALS ARE RoHS COMPLIANT

SHELL: STEEL, NICKEL PLATED

INSERTS: HIGH TEMPERATURE RESISTANT NYLON, GLASS REINFORCED, UL FLAMMABILITY RATING 94V-0, COLOUR: BLACK

CONTACTS: COPPER ALLOY, GOLD PLATING (SEE ORDERING CODE) OVER 50u" [1.27 MICRONS] NICKEL ON ENGAGEMENT AREA WITH 100u" [2.54 MICRONS] MIN. MATTE TIN ON CONTACT TERMINALS.

BOARDLOCK: COPPER ALLOY, TIN PLATED

GENERAL TOLERANCE: ±.008 [0.20] UNLESS INDICATED OTHERWISE

ELECTRICAL DATA:

CURRENT RATING: 5 AMP

CONTACT RESISTANCE: 15 MILLIOHMS MAX.

INSULATION RESISTANCE: 3000 MEGOHMS MIN.

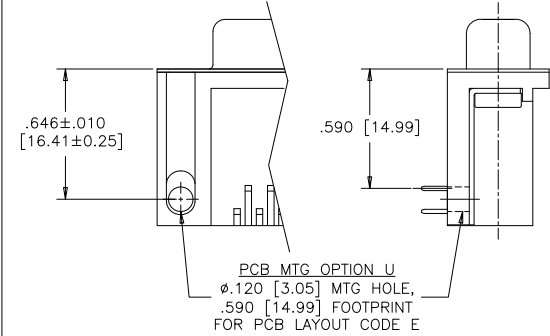
DIELECTRIC WITHSTANDING VOLTAGE: 1000 VAC rms

OPERATING TEMPERATURE: -55°C TO +105°C

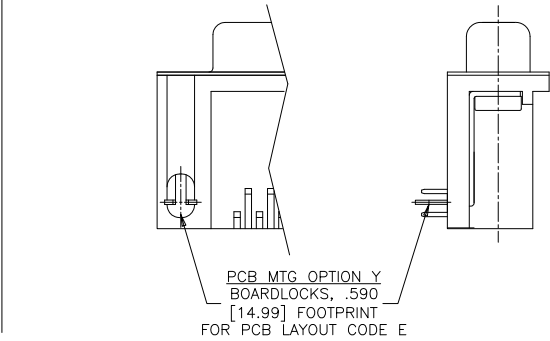
THIS DOCUMENT CONTAINS PROPRIETARY INFORMATION AND SUCH INFORMATION MAY NOT BE DISCLOSED TO OTHERS FOR ANY PURPOSE OR USED FOR MANUFACTURING PURPOSES WITHOUT WRITTEN PERMISSION FROM AMPHENOL CANADA CORP.



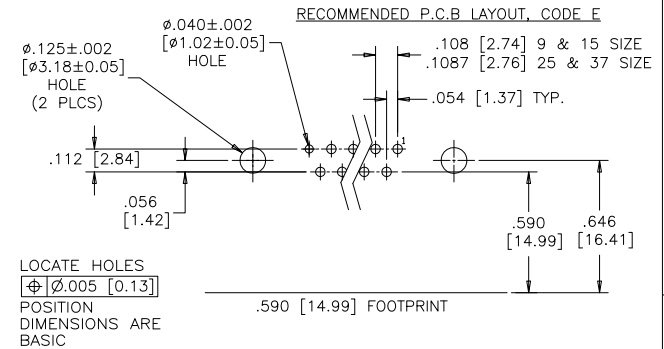
.590 [14.99] FOOTPRINT
(PCB LAYOUT CODE E)



PCB MTG OPTION U
Ø.120 [3.05] MTG HOLE,
.590 [14.99] FOOTPRINT
FOR PCB LAYOUT CODE E



PCB MTG OPTION Y
BOARDLOCKS, .590
[14.99] FOOTPRINT
FOR PCB LAYOUT CODE E



LOCATE HOLES
⊕ | Ø.005 [0.13]
POSITION
DIMENSIONS ARE
BASIC

SEE SHEET 1 FOR ORDERING CODE

DRAWN	A.CHENG	DATE	APR13/06
DESIGNED			
CHECKED	K.LAMBIE	DATE	APR13/06
I. E. APPRD.			
Q. A. APPRD.			
DWG. APPRD.			
ENG. REL. NO.			
REF.	EAR 12937		
DIMENSIONS ARE IN	INCHES	CODE ID. NO.	03554

Amphenol Canada Corp.
Commercial Products

TITLE
6E17 SERIES D-SUB CONNECTOR, 9 TO 37
SIZE SOCKET, RIGHT ANGLE WITH F/P, MTG
AND PLATING OPTIONS, RoHS COMPLIANT

DWG	DRAWING NO.	REV.
C	P-6E17X-XXXSXX-X20X	E
SCALE	2/1	SHEET 2 OF 2